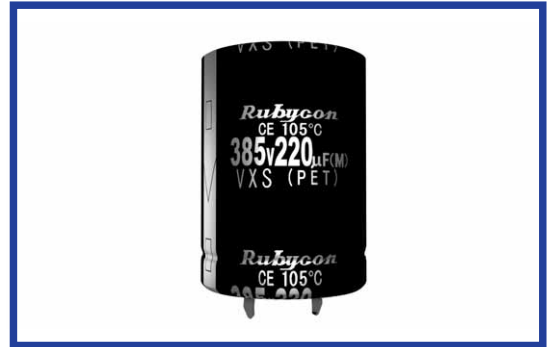


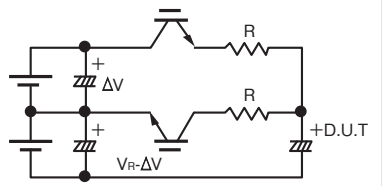
VXS SERIES

105°C Charge-Discharge Specification

- Load Life : 105°C 5000 hours.
- Specified the endurance of 100million times Charge-Discharge load.



◆SPECIFICATIONS

Items	Characteristics														
Category Temperature Range	-25~+105°C														
Rated Voltage Range	315~450Vdc														
Capacitance Tolerance	±20% (20°C, 120Hz)														
Leakage Current(MAX)	$I=3\sqrt{CV}$ (After 5 minutes application of rated voltage) I =Leakage Current(μ A) C =Capacitance(μ F) V =Rated Voltage(Vdc)														
Dissipation Factor(MAX) (tan δ)	0.2 (20°C, 120Hz)														
Charge-Discharge endurance	<p>After applying the following charge discharge load for 100million times, the capacitors shall meet the following requirements.</p> <table border="1"> <tr> <td>Charge voltage</td> <td>Rated voltage:VR[V]</td> </tr> <tr> <td>Discharge voltage</td> <td>Rated Voltage-150V:VR-150 [V]</td> </tr> <tr> <td>Charge-Discharge frequency</td> <td>Refer to Standard Size table</td> </tr> <tr> <td>Charge-Discharge Resistance</td> <td>Refer to Standard Size table</td> </tr> </table>  <table border="1"> <tr> <td>Capacitance Change</td> <td>Within ±20% of the initial value.</td> </tr> <tr> <td>Dissipation Factor</td> <td>Not more than 200% of the specified value.</td> </tr> <tr> <td>Leakage Current</td> <td>Not more than the specified value.</td> </tr> </table>	Charge voltage	Rated voltage:VR[V]	Discharge voltage	Rated Voltage-150V:VR-150 [V]	Charge-Discharge frequency	Refer to Standard Size table	Charge-Discharge Resistance	Refer to Standard Size table	Capacitance Change	Within ±20% of the initial value.	Dissipation Factor	Not more than 200% of the specified value.	Leakage Current	Not more than the specified value.
Charge voltage	Rated voltage:VR[V]														
Discharge voltage	Rated Voltage-150V:VR-150 [V]														
Charge-Discharge frequency	Refer to Standard Size table														
Charge-Discharge Resistance	Refer to Standard Size table														
Capacitance Change	Within ±20% of the initial value.														
Dissipation Factor	Not more than 200% of the specified value.														
Leakage Current	Not more than the specified value.														
Endurance	<p>After applying rated voltage with rated ripple current for 5000 hours at 105°C, the capacitors shall meet the following requirements.</p> <table border="1"> <tr> <td>Capacitance Change</td> <td>Within ±20% of the initial value.</td> </tr> <tr> <td>Dissipation Factor</td> <td>Not more than 200% of the specified value.</td> </tr> <tr> <td>Leakage Current</td> <td>Not more than the specified value.</td> </tr> </table>	Capacitance Change	Within ±20% of the initial value.	Dissipation Factor	Not more than 200% of the specified value.	Leakage Current	Not more than the specified value.								
Capacitance Change	Within ±20% of the initial value.														
Dissipation Factor	Not more than 200% of the specified value.														
Leakage Current	Not more than the specified value.														
Low Temperature Stability Impedance Ratio(MAX)	<table border="1"> <tr> <td>Rated Voltage (Vdc)</td> <td>315~450</td> <td>(120Hz)</td> </tr> <tr> <td>Z(-25°C)/Z(20°C)</td> <td>8</td> <td></td> </tr> </table>	Rated Voltage (Vdc)	315~450	(120Hz)	Z(-25°C)/Z(20°C)	8									
Rated Voltage (Vdc)	315~450	(120Hz)													
Z(-25°C)/Z(20°C)	8														

◆MULTIPLIER FOR RIPPLE CURRENT

Frequency (Hz)	60(50)	120(100)	300	500	1k	10k≤
Coefficient	0.80	1.00	1.16	1.20	1.30	1.40

◆OPTION

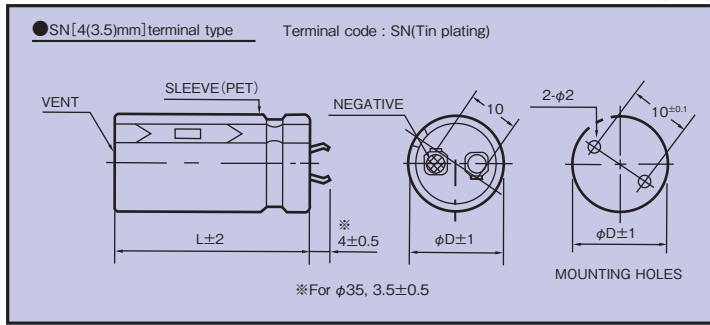
Option	Code
PET sleeve without plate	EFC

◆PART NUMBER

Rated Voltage	VXS	Series	Capacitance	M	Capacitance Tolerance	Option	SN	Terminal Code	DXL	Case Size
---------------	-----	--------	-------------	---	-----------------------	--------	----	---------------	-----	-----------

◆ DIMENSIONS

(mm)



◆ STANDARD SIZE

Cap(μF) φD	315				350			
	φ22	φ25	φ30	φ35	φ22	φ25	φ30	φ35
120					22×25;0.92; 46; 10			
150	22×25;1.00; 46; 10				22×30;1.08; 41; 10	25×25;1.05; 51; 10		
180	22×30;1.15; 41; 10				22×35;1.22; 37; 10	25×30;1.21; 38; 10		
220	22×35;1.32; 37; 10	25×25;1.19; 43; 10			22×40;1.39; 34; 10	25×30;1.30; 38; 10	30×25;1.35; 38; 10	
270	22×40;1.50; 34; 10	25×30;1.38; 38; 9	30×25;1.44; 38; 9		22×45;1.57; 32; 10	25×35;1.49; 35; 10	30×30;1.56; 42; 8	35×25;1.50; 36; 10
330	22×45;1.69; 32; 9	25×35;1.58; 35; 8	30×30;1.67; 34; 7		22×50;1.77; 31; 9	25×40;1.68; 32; 9	30×35;1.78; 31; 8	35×30;1.75; 32; 8
390	22×50;1.88; 30; 8	25×40;1.77; 32; 7	30×30;1.76; 34; 6	35×25;1.64; 35; 7	22×55;1.96; 28; 8	25×45;1.87; 30; 8	30×35;1.89; 31; 7	35×30;1.83; 32; 8
470	22×60;2.15; 27; 7	25×45;1.98; 30; 7	30×35;2.01; 31; 6	35×30;1.92; 31; 6		25×50;2.08; 29; 7	30×40;2.13; 29; 6	35×35;2.08; 29; 7
560		25×50;2.20; 28; 6	30×40;2.25; 29; 5	35×35;2.18; 29; 6		25×60;2.38; 25; 7	30×45;2.37; 27; 6	35×40;2.33; 27; 6
680		25×60;2.53; 25; 5	30×45;2.51; 27; 4	35×40;2.49; 27; 4			30×50;2.63; 26; 5	35×45;2.60; 25; 5
820			30×50;2.79; 26; 4	35×45;2.73; 25; 4			30×60;3.01; 22; 5	35×50;2.87; 24; 5
1000			30×60;3.20; 22; 4	35×50;3.01; 24; 4				35×55;3.15; 22; 4
1200				35×55;3.28; 22; 3				35×60;3.42; 20; 3

Cap(μF) φD	385				400			
	φ22	φ25	φ30	φ35	φ22	φ25	φ30	φ35
100	22×25;0.84; 46; 10				22×25;0.85; 46; 10			
120	22×30;0.97; 41; 10				22×30;0.97; 41; 10	25×25;0.96; 42; 10		
150	22×35;1.12; 37; 10	25×25;1.04; 43; 10			22×35;1.13; 37; 10	25×30;1.11; 38; 10		
180	22×40;1.26; 34; 10	25×30;1.19; 38; 10	30×25;1.24; 38; 10		22×40;1.27; 34; 10	25×30;1.20; 38; 10	30×25;1.24; 38; 10	
220	22×45;1.43; 32; 10	25×35;1.37; 35; 10	30×30;1.43; 34; 10	35×25;1.39; 43; 10	22×45;1.44; 32; 10	25×35;1.37; 35; 10	30×30;1.43; 34; 10	35×25;1.39; 35; 10
270	22×50;1.61; 30; 10	25×40;1.55; 32; 10	30×30;1.55; 34; 9	35×30;1.62; 32; 10	22×50;1.62; 31; 9	25×40;1.55; 32; 10	30×35;1.63; 31; 9	35×30;1.62; 32; 10
330	22×55;1.82; 29; 10	25×45;1.75; 30; 10	30×35;1.76; 31; 8	35×30;1.72; 32; 9	22×60;1.87; 27; 9	25×50;1.82; 28; 10	30×35;1.77; 31; 8	35×30;1.72; 32; 9
390		25×50;1.93; 29; 9	30×40;1.97; 29; 7	35×35;1.95; 29; 8		25×55;2.01; 26; 9	30×40;1.97; 29; 8	35×35;1.95; 29; 8
470		25×55;2.14; 26; 7	30×45;2.20; 27; 7	35×40;2.19; 27; 7		25×60;2.22; 25; 8	30×50;2.29; 26; 8	35×40;2.19; 27; 7
560			30×50;2.44; 26; 6	35×45;2.43; 25; 7			30×55;2.53; 25; 7	35×45;2.43; 25; 7
680			30×55;2.70; 24; 6	35×50;2.70; 24; 6			30×60;2.80; 23; 6	35×50;2.69; 24; 6
820				35×55;2.97; 22; 5				35×55;2.96; 22; 5
1000				35×60;3.25; 21; 4				

Cap(μF) φD	420				450			
	φ22	φ25	φ30	φ35	φ22	φ25	φ30	φ35
82	22×25;0.76; 46; 10				22×25;0.77; 46; 10			
100	22×30;0.88; 41; 10				22×30;0.89; 41; 10			
120	22×30;0.96; 41; 10	25×25;0.94; 42; 10			22×35;1.01; 37; 10	25×25;0.94; 42; 10		
150	22×35;1.11; 37; 10	25×30;1.09; 38; 10			22×40;1.16; 34; 10	25×30;1.10; 38; 10	30×25;1.14; 38; 10	
180	22×40;1.25; 34; 10	25×35;1.24; 35; 10	30×25;1.22; 38; 10		22×45;1.30; 32; 10	25×35;1.25; 35; 10	30×30;1.30; 34; 10	35×25;1.28; 35; 10
220	22×50;1.46; 30; 10	25×35;1.34; 35; 10	30×30;1.41; 34; 10	35×25;1.37; 35; 10	22×50;1.47; 30; 10	25×40;1.42; 32; 10	30×30;1.41; 34; 10	35×30;1.48; 32; 10
270	22×55;1.64; 29; 10	25×45;1.59; 30; 10	30×35;1.61; 31; 10	35×30;1.58; 32; 10	22×60;1.70; 27; 10	25×45;1.60; 30; 10	30×35;1.62; 31; 10	35×30;1.59; 32; 10
330		25×50;1.79; 28; 10	30×40;1.82; 29; 10	35×35;1.81; 29; 10		25×55;1.86; 27; 10	30×40;1.83; 29; 10	35×35;1.81; 29; 10
390		25×55;1.97; 27; 9	30×45;2.02; 27; 9	35×35;1.91; 29; 8		25×60;2.04; 25; 9	30×50;2.11; 32; 9	35×40;2.02; 27; 9
470			30×50;2.25; 26; 8	35×40;2.14; 27; 7			30×55;2.34; 24; 8	35×45;2.26; 25; 8
560			30×55;2.48; 24; 7	35×45;2.38; 25; 7				35×50;2.49; 24; 7
680				35×50;2.63; 24; 6				
820				35×60;3.02; 21; 5				

↑ ↑ ↑ ↑
 Charge-Discharge Frequency[Hz]
 Charge-Discharge Resistance[Ω]
 Ripple Current (A r.m.s./120Hz,105°C)
 Case Size φD×L(mm)

Mouser Electronics

Authorized Distributor

Click to View Pricing, Inventory, Delivery & Lifecycle Information:

Rubycon:

[350VXS560MEFCSN30X45](#) [350VXS180MEFCSN25X30](#) [400VXS330MEFCSN22X60](#) [315VXS820MEFCSN30X50](#)
[385VXS270MEFCSN25X40](#) [385VXS820MEFCSN35X55](#) [385VXS180MEFCSN22X40](#) [350VXS220MEFCSN30X25](#)
[385VXS560MEFCSN35X45](#) [385VXS330MEFCSN22X55](#) [420VXS82MEFCSN22X25](#) [385VXS150MEFCSN22X35](#)
[350VXS270MEFCSN30X30](#) [385VXS560MEFCSN30X50](#) [350VXS820MEFCSN30X60](#) [385VXS100MEFCSN22X25](#)
[450VXS270MEFCSN22X60](#) [450VXS390MEFCSN30X50](#) [350VXS180MEFCSN22X35](#) [385VXS270MEFCSN22X50](#)
[420VXS820MEFCSN35X60](#) [315VXS390MEFCSN30X30](#) [315VXS470MEFCSN22X60](#) [385VXS390MEFCSN25X50](#)
[350VXS560MEFCSN25X60](#) [315VXS680MEFCSN35X40](#) [400VXS330MEFCSN25X50](#) [385VXS220MEFCSN22X45](#)
[350VXS270MEFCSN25X35](#) [400VXS270MEFCSN30X35](#) [350VXS120MEFCSN22X25](#) [315VXS220MEFCSN25X25](#)
[315VXS560MEFCSN35X35](#) [350VXS330MEFCSN30X35](#) [400VXS470MEFCSN30X50](#) [350VXS680MEFCSN30X50](#)
[450VXS470MEFCSN30X55](#) [385VXS680MEFCSN35X50](#) [315VXS270MEFCSN25X30](#) [350VXS220MEFCSN22X40](#)
[350VXS560MEFCSN35X40](#) [315VXS330MEFCSN30X30](#) [385VXS470MEFCSN30X45](#) [450VXS560MEFCSN35X50](#)
[315VXS330MEFCSN22X45](#) [350VXS390MEFCSN22X55](#) [315VXS470MEFCSN30X35](#) [420VXS100MEFCSN22X30](#)
[315VXS470MEFCSN35X30](#) [350VXS470MEFCSN25X50](#) [350VXS390MEFCSN25X45](#) [315VXS150MEFCSN22X25](#)
[450VXS180MEFCSN35X25](#) [315VXS560MEFCSN30X40](#) [385VXS220MEFCSN35X25](#) [315VXS1000MEFCSN35X50](#)
[450VXS180MEFCSN30X30](#) [400VXS560MEFCSN30X55](#) [450VXS150MEFCSN30X25](#) [420VXS390MEFCSN30X45](#)
[350VXS470MEFCSN35X35](#) [350VXS1200MEFCSN35X60](#) [400VXS470MEFCSN25X60](#) [385VXS390MEFCSN30X40](#)
[420VXS270MEFCSN25X45](#) [385VXS220MEFCSN30X30](#) [450VXS470MEFCSN35X45](#) [350VXS820MEFCSN35X50](#)
[315VXS270MEFCSN30X25](#) [385VXS120MEFCSN22X30](#) [450VXS390MEFCSN25X60](#) [350VXS150MEFCSN25X25](#)
[350VXS220MEFCSN25X30](#) [400VXS390MEFCSN25X55](#) [315VXS220MEFCSN22X35](#) [385VXS220MEFCSN25X35](#)
[385VXS470MEFCSN25X55](#) [400VXS150MEFCSN25X30](#) [315VXS820MEFCSN35X45](#) [400VXS680MEFCSN30X60](#)
[315VXS1000MEFCSN30X60](#) [315VXS680MEFCSN30X45](#) [350VXS680MEFCSN35X45](#) [315VXS390MEFCSN25X40](#)
[350VXS270MEFCSN35X25](#) [450VXS390MEFCSN35X40](#) [385VXS1000MEFCSN35X60](#) [420VXS270MEFCSN22X55](#)
[450VXS220MEFCSN35X30](#) [450VXS150MEFCSN22X40](#) [420VXS330MEFCSN35X35](#) [315VXS330MEFCSN25X35](#)
[315VXS390MEFCSN22X50](#) [385VXS470MEFCSN35X40](#) [350VXS270MEFCSN22X45](#) [450VXS120MEFCSN22X35](#)
[420VXS330MEFCSN30X40](#) [385VXS270MEFCSN35X30](#) [315VXS1200MEFCSN35X55](#) [420VXS180MEFCSN25X35](#)