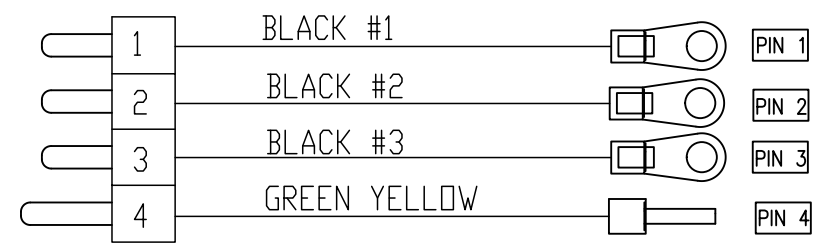
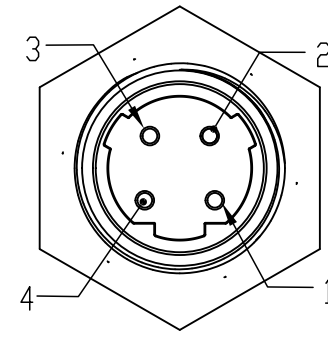
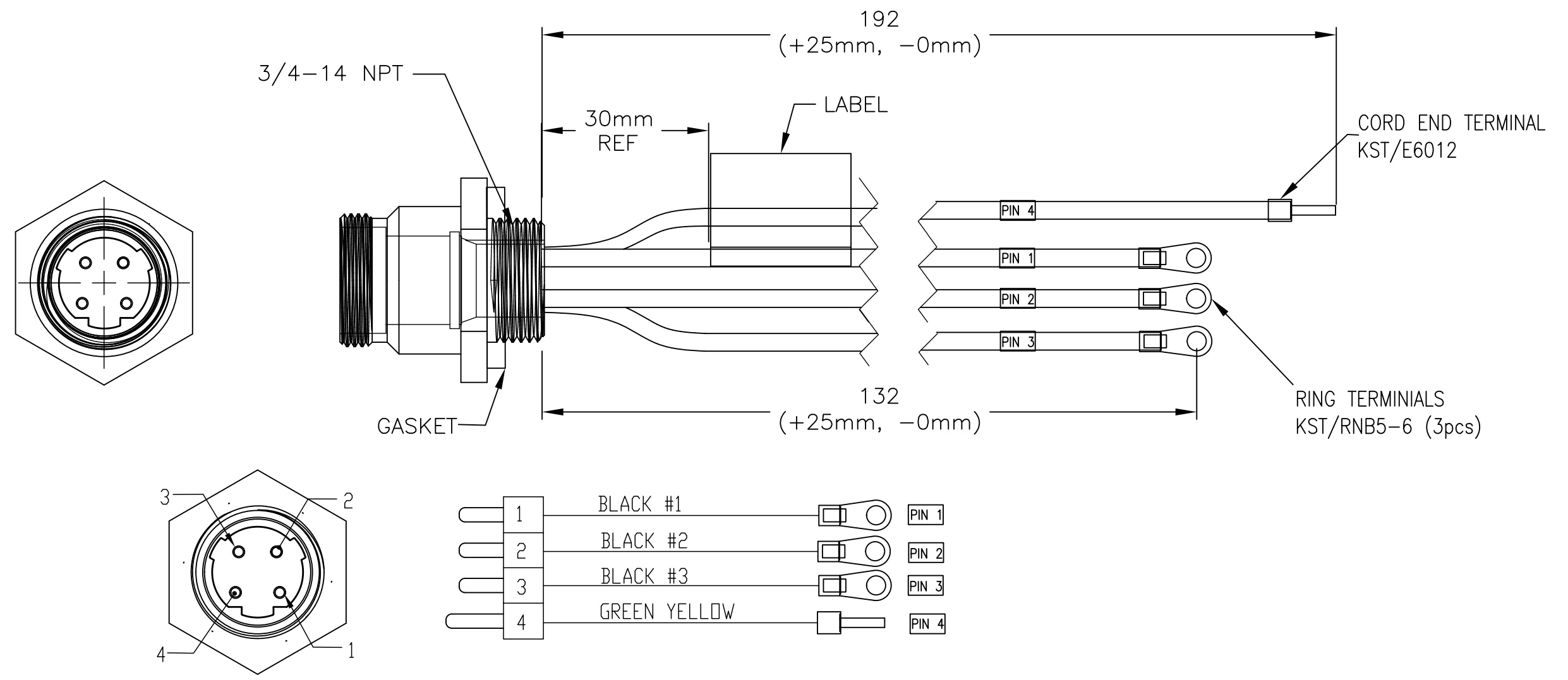


REVISIONS					
REV	ECO	DESCRIPTION	DATE	BY	APPR
01	-	TECHNICAL DATA SHEET RELEASE	07JULY17	TZ	TZ



TECHNICAL DATA:

1) MATERIALS:

- COUPLING NUT: MACHINED STEEL, NICKEL PLATED
- INSULATION INSERT: THERMOPLASTIC, UL 94/V-0
- CONTACT: GOLD FLASH PLATING OVER COPPER ALLOY
- OVERMOLD MATERIAL: THERMOPLASTIC COLOR: BLACK
- CONDUCTOR RATING: UL 1015
- CONDUCTOR INSULATION: PVC
- NUMBER OF CONDUCTORS: (4) 12AWG

2) ELECTRICAL DATA:

- CURRENT (MAX): 25A (2237) 29A (2238)
- VOLTAGE (MAX): 600V AC/DC
- INSULATION RESISTANCE (MIN): 5000M OHMS
- DIELECTRIC TEST VOLTAGE: 2200V

3) MECHANICAL DATA:

- TEMPERATURE RANGE: -40°C TO 90°C
- PROTECTION: IP67 (MATED CONDITION)
- MATING CYCLES: >500
- VIBRATION RESISTANCE PER MIL-STD-202 METHOD 204
- THERMAL SHOCK PER MIL-STD-202 METHOD 207
- 48 HOUR SALT SPRAY PER MIL-STD-202 METHOD 101

4) RoHS COMPLIANT

- 5) UL 2237 LISTED ASSEMBLY**
- UL FILE NUMBERS: E339703, 224856

Risk of Electrical Shock
Do Not Disconnect Under Load.
Risque de chocs électriques
Ne pas débrancher sous tension.

WARNING

QUANTITY	PART NUMBER	DESCRIPTION	ITEM
MATERIALS LIST			
UNLESS OTHERWISE SPECIFIED		SIGNATURES	DATE
1) All dimensions are in metric(mm).		DRAWN: TZ	27APR17
2) Tolerances are as follows:		CHECKED: TZ	27APR17
1 PL DEC ±0.30 Fractions ±1/64		ENGINEER: TZ	
2 PL DEC ±0.15 Angles ±1°		APPROVAL: TZ	27APR17
3 PL DEC ±0.08		CUSTOMER:	
3) Note reference =		THIS DRAWING IS SUPPLIED FOR INFORMATION ONLY. DESIGN FEATURES, SPECIFICATIONS AND PERFORMANCE DATA SHOWN HEREON ARE THE PROPERTY OF THE AMPHENOL CORPORATION. NO RIGHTS OF REPRODUCTION ARE IMPLIED. ALL DIMENSIONS ARE SUBJECT TO NORMAL MANUFACTURING VARIATIONS.	
MATERIAL SPECIFICATIONS:		SIZE TYPE DWG NO: REVISION	
PROCESS SPECIFICATIONS:		C-P31407 01	
NEXT ASSY:		SCALE: NONE	SHEET 1 OF 1

Amphenol

Sine Systems - www.sineco.com
44724 Morley Drive
Clinton Township, MI 48036

RECEPTACLE ASSEMBLY, POWER, M29 MALE, 12AWG

TITLE: RECEPTACLE ASSEMBLY DWG NO: C-P31407 REV: 01 SH: 1 OF: 1