
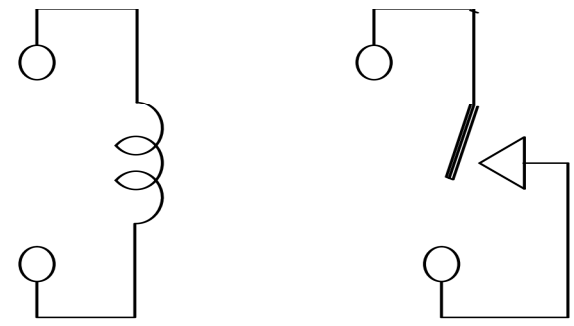


THIS DRAWING IS UNPUBLISHED. RELEASED FOR PUBLICATION  
 © COPYRIGHT - By - TE CONNECTIVITY ALL RIGHTS RESERVED.

LOC	DIST	REVISIONS				
P	LTR	DESCRIPTION	DATE	DWN	APVD	
HB	-					
	D	REMOVED CIRCUMFERENCE SSA RADIUSED WELDED CONTACT ECO-13-01754	13Feb2014	HYS	B.F	
	D1	UPDATE DRAWING VERSIONS ECO-14-006563	17Jul2014	HYS	B.F	

**TE**  
**T77V1D10-12-02**  
 PART A  
 10A 120V~  
 10A 30V- Res.  
  
 P&B CHINA  
 LOT No



CONNECTION FIGURE

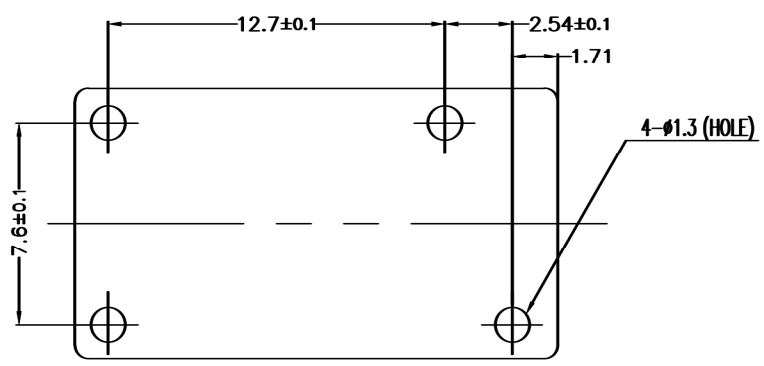
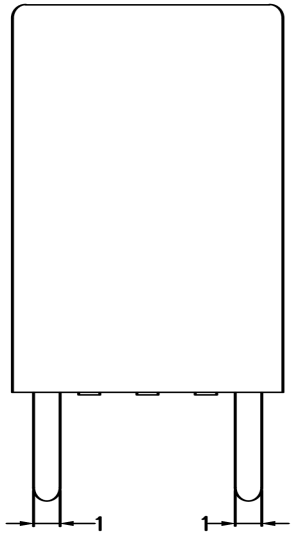
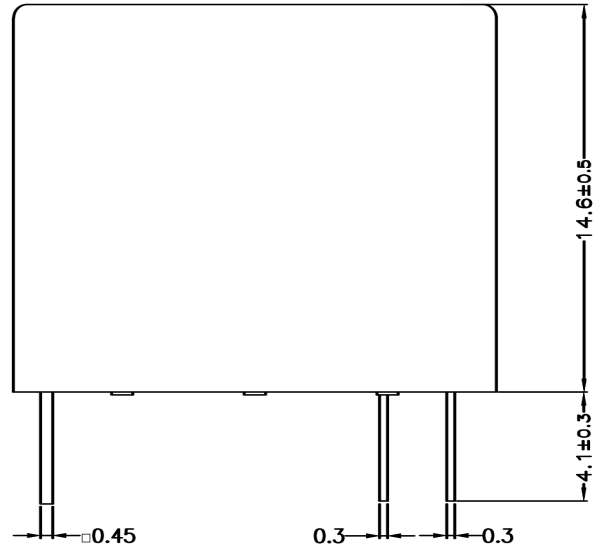
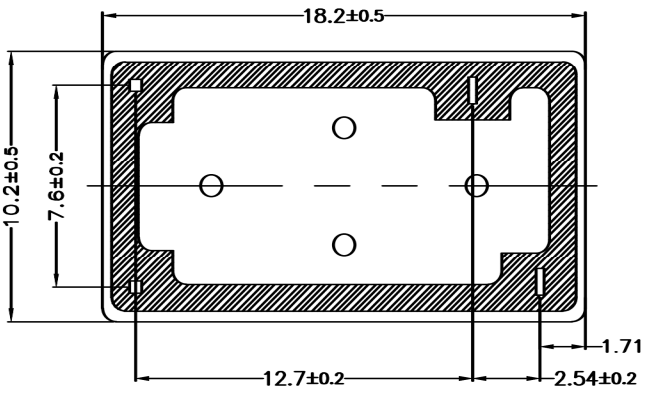



FIGURE FOR PRINTED CIRCUIT BOARD PROCESSING (BOTTOM VIEW)



THIS DRAWING IS A CONTROLLED DOCUMENT.		DWN	Fu Bo	 TE Connectivity		
DIMENSIONS: mm		CHK	Xiaoning Zhang	NAME		
TOLERANCES UNLESS OTHERWISE SPECIFIED:		APVD	CH.HSU	T77*1D10-** CUSTOMER DRAWING		
0 PLC ±- 1 PLC ±- 2 PLC ±- 3 PLC ±- 4 PLC ±- ANGLES ±-		PRODUCT SPEC	-	RESTRICTED TO		
MATERIAL	FINISH	APPLICATION SPEC	-	SIZE	CAGE CODE	DRAWING NO
-	-	WEIGHT	-	A3	00779	1-1393194-9
CUSTOMER DRAWING				SCALE	SHEET	REV
				5:1	1 of 2	D1

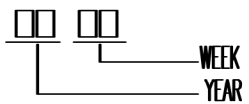
THIS DRAWING IS UNPUBLISHED. RELEASED FOR PUBLICATION  
 © COPYRIGHT - By - TE CONNECTIVITY ALL RIGHTS RESERVED.

LOC	DIST	REVISIONS					
HB	-	P	LTR	DESCRIPTION	DATE	DWN	APVD
		-		SEE SHEET 1	-	-	-

107-79010	3-1383194-8	T77M1D10-24-01	T77M1D10-24-01	q	(C2)
107-79010	2-1383194-2	T77M1D10-48	T77M1D10-48	p	
107-79010	2-1383194-1	T77M1D10-24	T77M1D10-24	o	
107-79010	2-1383194-0	T77M1D10-18	T77M1D10-18	n	
107-79010	1-1383194-9	T77M1D10-12	T77M1D10-12	m	
107-79010	1440005-1	T77M1D10-09	T77M1D10-09	l	
107-79010	8-1440009-1	T77M1D10-06	T77M1D10-06	k	(C2)
107-79010	1-1383194-8	T77M1D10-05	T77M1D10-05	j	
107-79010	1-1383194-7	T77M1D10-03	T77M1D10-03	i	(C2)
107-79010	9-1440004-7	T77S1D10-48	T77S1D10-48	h	(C2)
107-79010	1-1383194-0	T77S1D10-24	T77S1D10-24	g	
107-79010	9-1440004-5	T77S1D10-18	T77S1D10-18	f	(C2)
107-79010	1383194-9	T77S1D10-12	T77S1D10-12	e	
107-79010	1383194-8	T77S1D10-09	T77S1D10-09	d	(C2)
107-79010	9-1440004-2	T77S1D10-06	T77S1D10-06	c	(C2)
107-79010	1383194-7	T77S1D10-05	T77S1D10-05	b	(C2)
107-79010	1383194-6	T77S1D10-03	T77S1D10-03	a	(C2)
PACKAGE SPEC.	PART NO	DESCRIPTION	PART A	TYPE	

RELAY TYPE

NOTE  
 1. LOT NO SYSTEM AS FOLLOWING:



- 2. TERMINAL DIMENSION IS BEFORE SOLDER DIP;
- 3. FOR THE TIN-PLATING OF THE PINS:  
 +0.1mm FOR WIDTH, THICKNESS AND DIAMETER.  
 +0.5mm FOR LENGTH.
- 4. MARKING FROM INK TO LASER AND USING WELDED CONTACT

5. ADD LOT NO. SYSTEM AS FOLLOWING;



- I, DIGITS FOR DAY OF THE WEEK  
 1...MONDAY IN THIS WEEK;  
 2...TUESDAY IN THIS WEEK;  
 .....  
 7...SUNDAY IN THIS WEEK
- II, DIGITS FOR SHIFT OF THE DAY  
 1...DAY SHIFT IN THIS DAY;  
 2...NIGHT SHIFT IN THIS DAY;
- III, ONE CHARACTER DISTINGUISH THE LINE IDENTITY, SUCH AS: A,B,....Z

		EPOXY RESIN	SEAL (BASE & BOBBIN)	15
		MW79	MAGNETIC WIRE	14
9W-0		P.B.T	CASE	13
9W-0		P.B.T	BASE	12
9WHB		P.B.T	BOBBIN	11
	SOLDER DIP	C.P WIRE	COIL TERMINAL	10
9W-0		P.P.S	CARD	9
		Ag ALLOY	MOVABLE CONTACT	8
		Ag	NO.CONTACT	7
		STEEL	HINGE SPRING	6
	SOLDER DIP	CU ALLOY	NO.TERMINAL	5
	SOLDER DIP	CU ALLOY	MOVABLE SPRING	4
	NIP	STEEL	CORE	3
	NIP	STEEL	ARMATURE	2
	NIP	STEEL	YOKE	1
INCOMBUSTIBILITY	TREATMENT	MATERIAL	DESCRIPTION	ITEM

THIS DRAWING IS A CONTROLLED DOCUMENT.		DWN	Fu Bo	-												
DIMENSIONS: mm		CHK	Xiaoning.Zhang	-												
TOLERANCES UNLESS OTHERWISE SPECIFIED:		APVD	CH.HSU	-												
<table border="1"> <tr><td>0 PLC</td><td>± -</td></tr> <tr><td>1 PLC</td><td>± -</td></tr> <tr><td>2 PLC</td><td>± -</td></tr> <tr><td>3 PLC</td><td>± -</td></tr> <tr><td>4 PLC</td><td>± -</td></tr> <tr><td>ANGLES</td><td>± -</td></tr> </table>		0 PLC	± -	1 PLC	± -	2 PLC	± -	3 PLC	± -	4 PLC	± -	ANGLES	± -	PRODUCT SPEC	NAME	
0 PLC	± -															
1 PLC	± -															
2 PLC	± -															
3 PLC	± -															
4 PLC	± -															
ANGLES	± -															
MATERIAL		APPLICATION SPEC	T77*1D10-** CUSTOMER DRAWING													
FINISH		WEIGHT	SIZE	RESTRICTED TO												
			A3	-												
		CUSTOMER DRAWING	CAGE CODE	DRAWING NO												
			00779	1-1393194-9												
		SCALE	SHEET	REV												
		5:1	2 of 2	D1												