

D

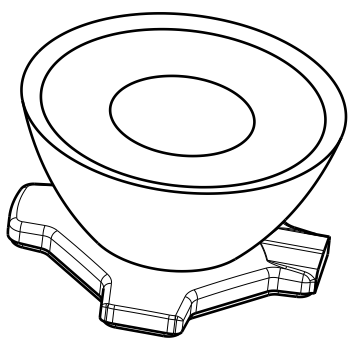
C

B

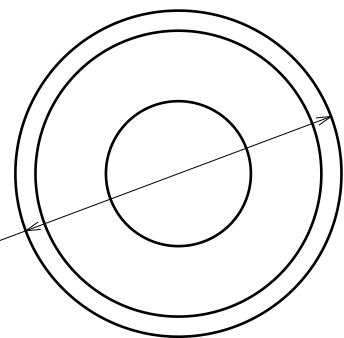
A

4

4



Isometric view



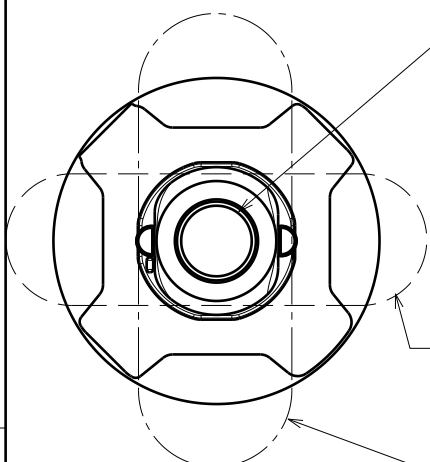
Top view

Ø 21.6

-0,28mm compared to C12241_Heidi-SS-XP, otherwise same geometry

3

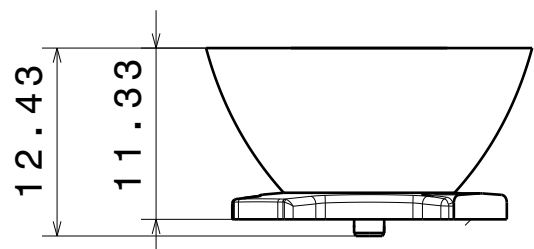
3



Bottom view
OVAL BEAM direction

Heidi-0

Heidi-0-90



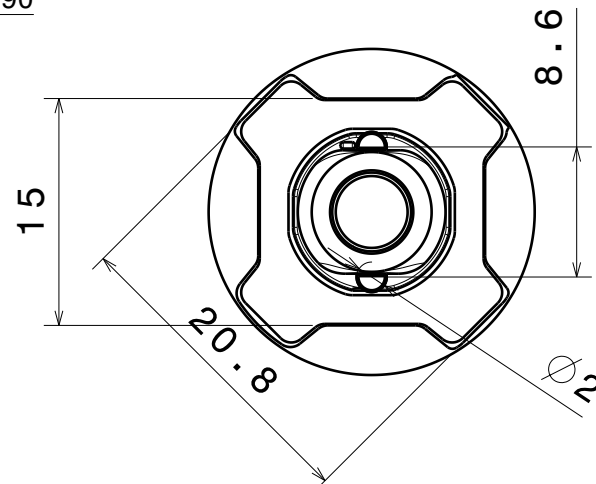
Front view

2

2

Material:
Lens PMMA

Part no.s:
 Heidi-SS-RE-ES
 Heidi-M-RE-ES
 Heidi-0-RE-ES
 Heidi-090-RE-ES
 Heidi-W-RE-ES



8.6 Between pin midpoints

Bottom view

This drawing is our property.
 It can't be reproduced
 or communicated without
 our written agreement.



L
S
F
F

e
i
i
N
n

d
l

DRAWING TITLE

Datasheet Heidi-RE-ES Series

1

1

DRAWN BY
a

DATE
18.11.2011

CHECKED BY
s n

DATE
18.11.2011

SIZE
A4

DRAWING NUMBER

REV
1

DESIGNED BY
hh

DATE
12.01.2010

SCALE 2:1 WEIGHT (g)

SHEET 1/1

D

A