

ICP501421PS

Rechargeable Lithium Ion Polymer Battery Pack 3.7 V
Safety Circuit

Specifications

Renata Type	ICP501421
IEC Designation	ICP061423
Part Number	100690
Contact Method	Wire AWG 30
Safety Circuit	Yes

Nominal Voltage	3.7 V
Nominal Capacity	115 mAh
Minimum Capacity	108 mAh (0.2C cut off 3.0 V at 20°C)

Internal Impedance	< 360 mΩ / 50% SOC
--------------------	--------------------

Thickness (t)	Max 5.2 mm
Length (l)	Max 22.5 mm
Width (w)	Max 14.1 mm
Weight	~ 3.1 g

Charging Characteristic	CC/CV – Constant Current / Constant Voltage
Voltage	4.2 V CV
Current Normal	0.5 C CC – 57.5 mA
Max. Charging Current	1.0 C CC – 115 mA
Temperature at Charging	0 °C 45 °C

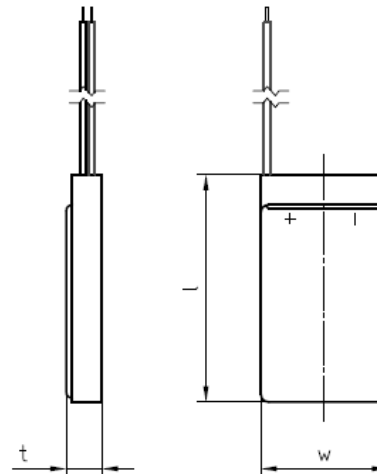
Discharge Characteristic

Cut off Voltage	3.0 V
Max Discharge Current	2.0 C – 230 mA (for non continues discharge) 1.0 C – 115 mA (for continues discharge)
Temperature During Discharge	-20 °C ... 60 °C

Cycle Life at Room Temperature	> 80% of minimum capacity after 500 cycles (0.5 C charge, 0.5 C discharge)
--------------------------------	--

Storage Temperature	-20 °C ... 45 °C (0 °C ... 30 °C recommended in case of storage for more than 3 months)
---------------------	--

Dimensions



Information and contents in this data sheet are for reference purpose only. They do not constitute any warranty or representation and are subject to change without notice. For most current information and further details, please contact your Renata representative.