

THIS DRAWING IS UNPUBLISHED. RELEASED FOR PUBLICATION
 © COPYRIGHT - By - ALL RIGHTS RESERVED.

LOC	DIST	REVISIONS					
		P	LTR	DESCRIPTION	DATE	DWN	APVD
-	-		A1	REVISED PER ECO-11-005150	21MAR11	RK	HMR

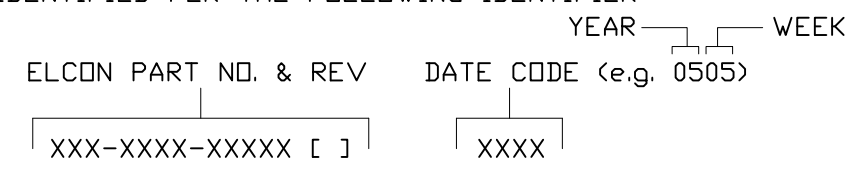
8. PART NUMBER INFORMATION

CONNECTOR	TE CONNECTIVITY PART NUMBER	ELCON PART NUMBER	TERMINATION TYPE	PC TAIL LENGTH DIM "A"	RECOMMENDED MOUNTING BOARD	MATING BOARD
SOCKET	6650384-1	286-0052-12101	SOLDER TAIL (SHORT)	3.56 [.140] 2.54 [.100]	1.6 [.062] THICK	1.6 [.062] THICK
SOCKET	6650384-2	286-0052-11301	SOLDER TAIL COMPLIANT	5.08 [.200] 4.06 [.160]	3.2 [.125] OR THINNER	1.6 [.062] THICK
SOCKET	6650384-3	287-0032-12301	SOLDER TAIL (STANDARD)	5.08 [.200] 4.06 [.160]	3.2 [.125] OR THINNER	1.6 [.062] THICK

NOTES: UNLESS OTHERWISE SPECIFIED;

- PART NUMBER CHANGES AND OR DESIGN CHANGES AFFECTING ITEM INTERCHANGEABILITY REQUIRE PRIOR ELCON APPROVAL AND AUTHORIZATION BY REVISION TO THIS DRAWING.
- MATERIALS:
 INSULATORS: THERMOPLASTIC, GLASS REINFORCED, COLOR-BLACK, UL94V-0 FLAMMABILITY RATED.
 CONTACTS: PHOSPHOR-BRONZE ALLOY.
- FINISHES:
 CONTACTS: SELECTIVE GOLD PLATE PER MIL-G-45204 TYPE II, GRADE C, CLASS 0. 000030" MIN. THK, OVER NICKEL PER QQ-N-290, CLASS 2, .000040" MIN. THICKNESS.
 TERMINALS: TIN PLATED, MATTE FINISH, .000100" MINIMUM THICKNESS.

- 4 SOCKETS ACCEPT 1.6 [.062] ± 10% THK PC BOARD.
- 5 EXAMPLE PCB CONFIGURATION.
- 6 THIS 3 X 2 SEGMENT CONFIGURATION SHOWN IS FOR REFERENCE ONLY. COMBINATION OF MULTIPLE NUMBERS OF 2 AND 3 SEGMENT MODULES COULD BE USED PER USER PREFERENCE. OVERALL COMBINATION SHOULD NOT EXCEED 8" IN LENGTH.
- 7 ITEMS PROVIDED TO THIS SPECIFICATION TO BE PERMANENTLY IDENTIFIED PER THE FOLLOWING IDENTIFIER:



THIS DRAWING IS A CONTROLLED DOCUMENT.		DWN R. F. A. 01/05/05	STE TE Connectivity		
DIMENSIONS: mm[INCHES]		CHK -			
		TOLERANCES UNLESS OTHERWISE SPECIFIED:	APVD D. CHAU 01/06/05	NAME SOCKET CONNECTOR, CROWN EDGE 6 POSITION POWER, STRAIGHT PN: 286-0052-1**01A	
		0 PLC ± - 1 PLC ± 0.5[0.020] 2 PLC ± 0.25[0.010] 3 PLC ± - 4 PLC ± - ANGLES ± 0.5°	PRODUCT SPEC -		
MATERIAL -		FINISH -	APPLICATION SPEC -	SIZE A3	CAGE CODE 00779
CUSTOMER DRAWING			WEIGHT -	DRAWING NO C-6650384	RESTRICTED TO -
			SCALE 2:1	SHEET 1 OF 5	REV A1

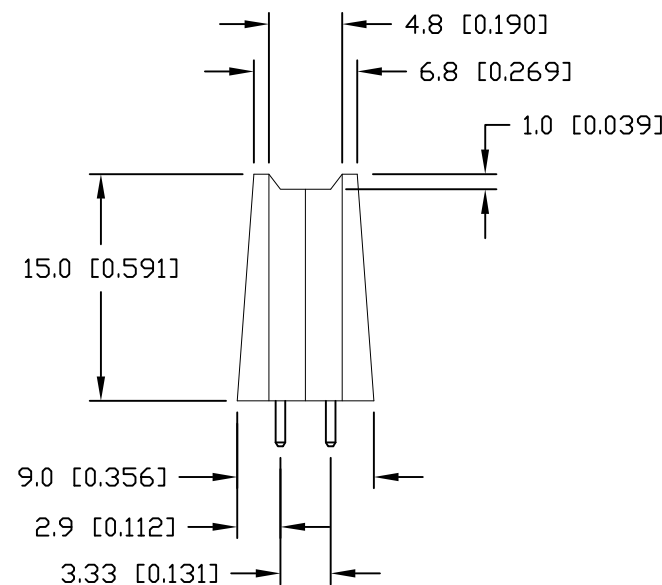
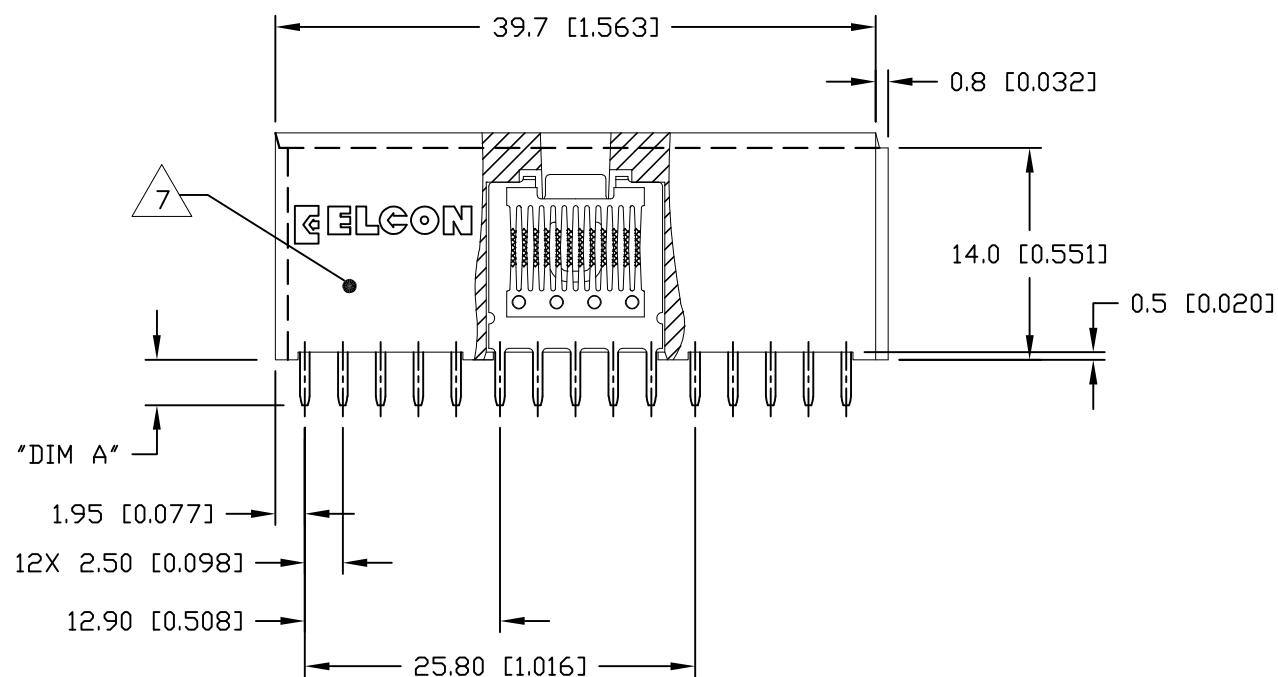
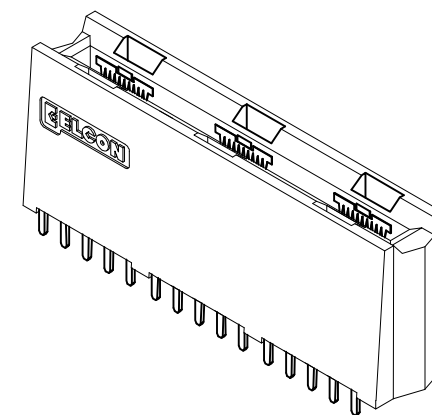
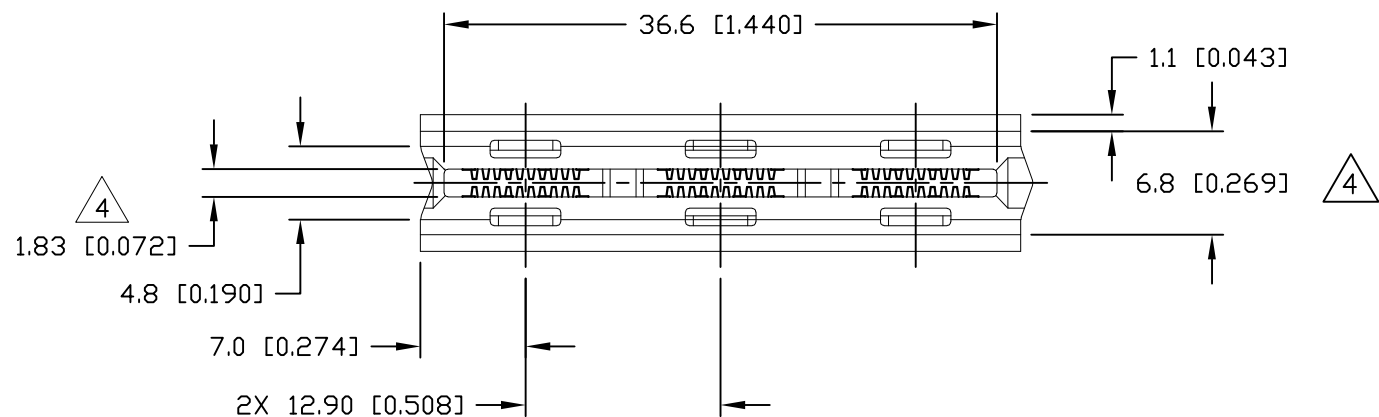
THIS DRAWING IS UNPUBLISHED.


RELEASED FOR PUBLICATION

© COPYRIGHT - By -

ALL RIGHTS RESERVED.

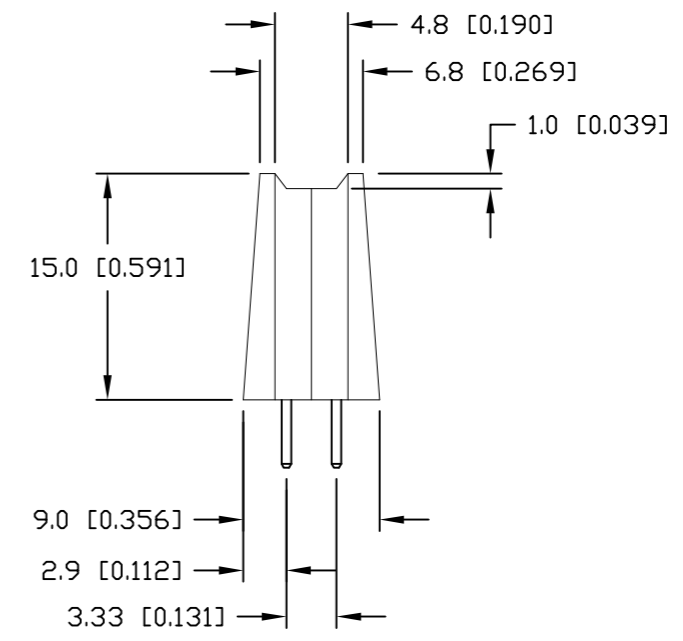
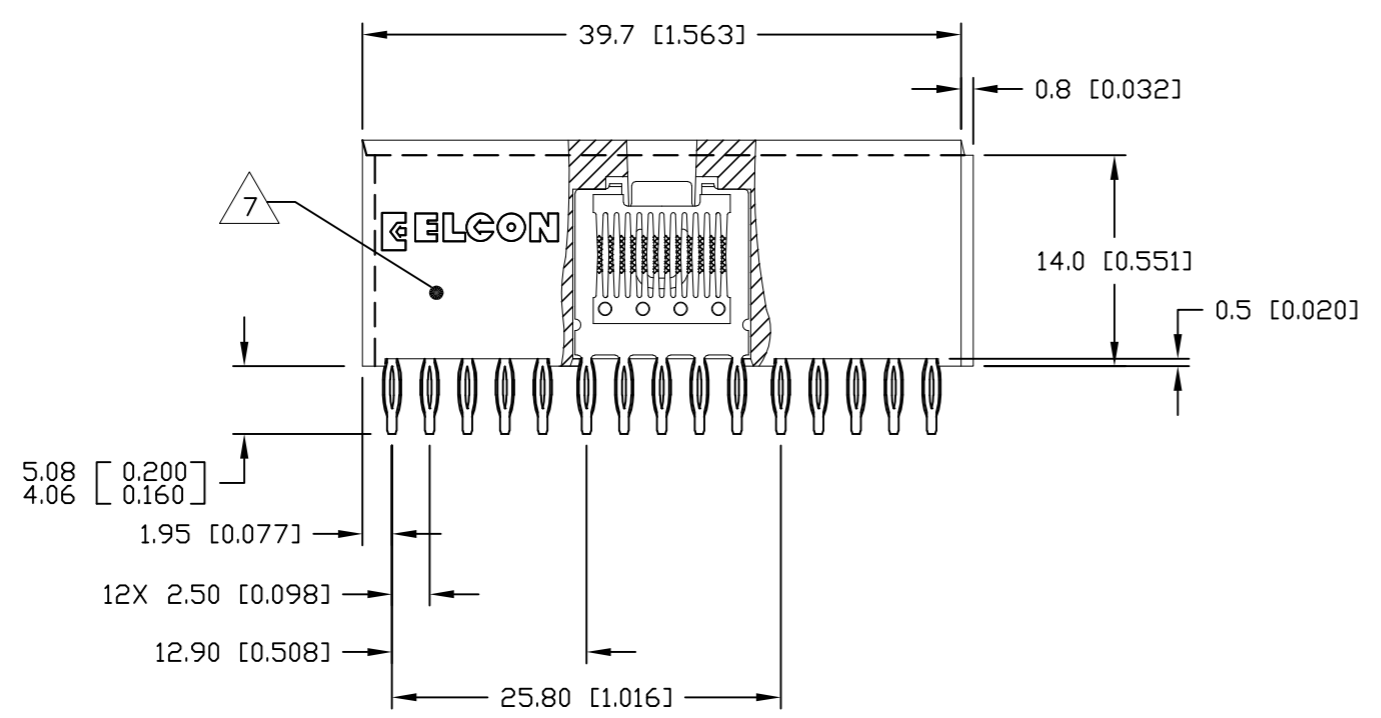
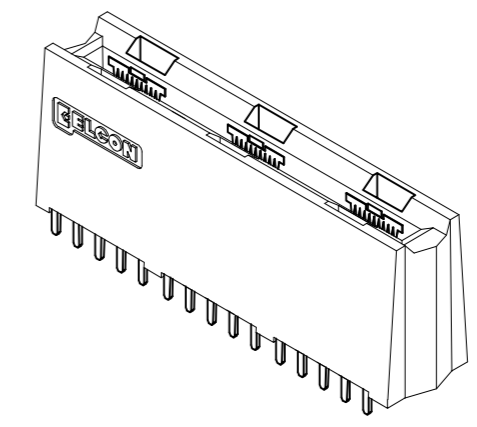
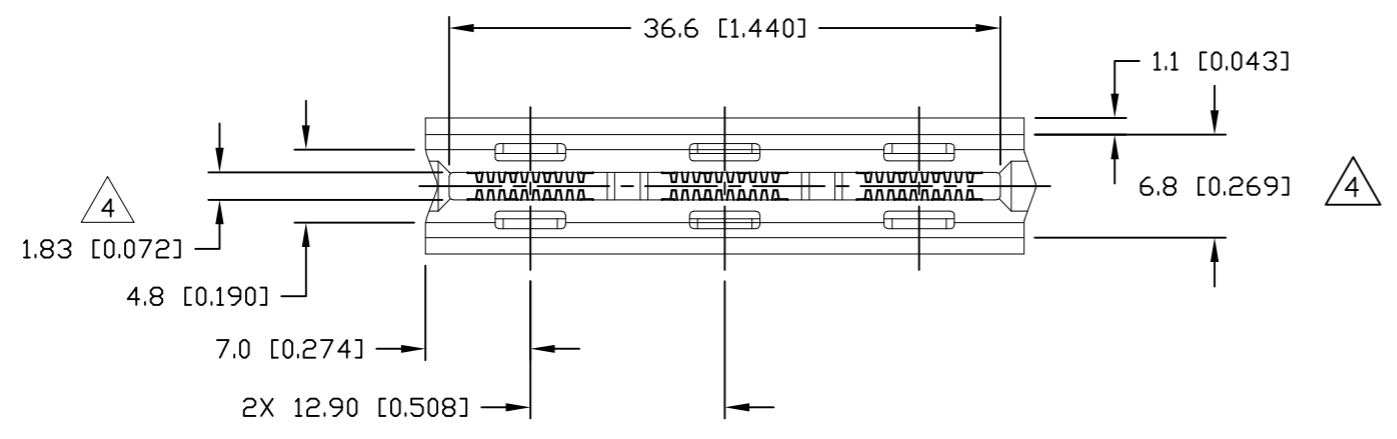
LOC	DIST	REVISIONS					
		P	LTR	DESCRIPTION	DATE	DWN	APVD
-	-	-	-	SEE SHEET 1	-	-	-




THIS DRAWING IS A CONTROLLED DOCUMENT.		DWN R. F. A.	01/05/05	 TE Connectivity					
DIMENSIONS: mm[INCHES]		CHK -	-						
TOLERANCES UNLESS OTHERWISE SPECIFIED:		APVD D. CHAU	01/06/05	NAME					
<ul style="list-style-type: none"> 0 PLC ± - 1 PLC ± 0.5[0.020] 2 PLC ± 0.25[0.010] 3 PLC ± - 4 PLC ± - ANGLES ± 0.5° 		PRODUCT SPEC		SOCKET CONNECTOR, CROWN EDGE 6 POSN POWER, STRAIGHT, SOLDER TAILS PN: 286-0052-12101A					
MATERIAL		FINISH		APPLICATION SPEC	SIZE	CAGE CODE	DRAWING NO	RESTRICTED TO	
-		-		-	A3	00779	C-6650384	-	
CUSTOMER DRAWING				WEIGHT	-	SCALE 2:1		SHEET 2 OF 5	REV A1

THIS DRAWING IS UNPUBLISHED. RELEASED FOR PUBLICATION
 © COPYRIGHT - By - ALL RIGHTS RESERVED.

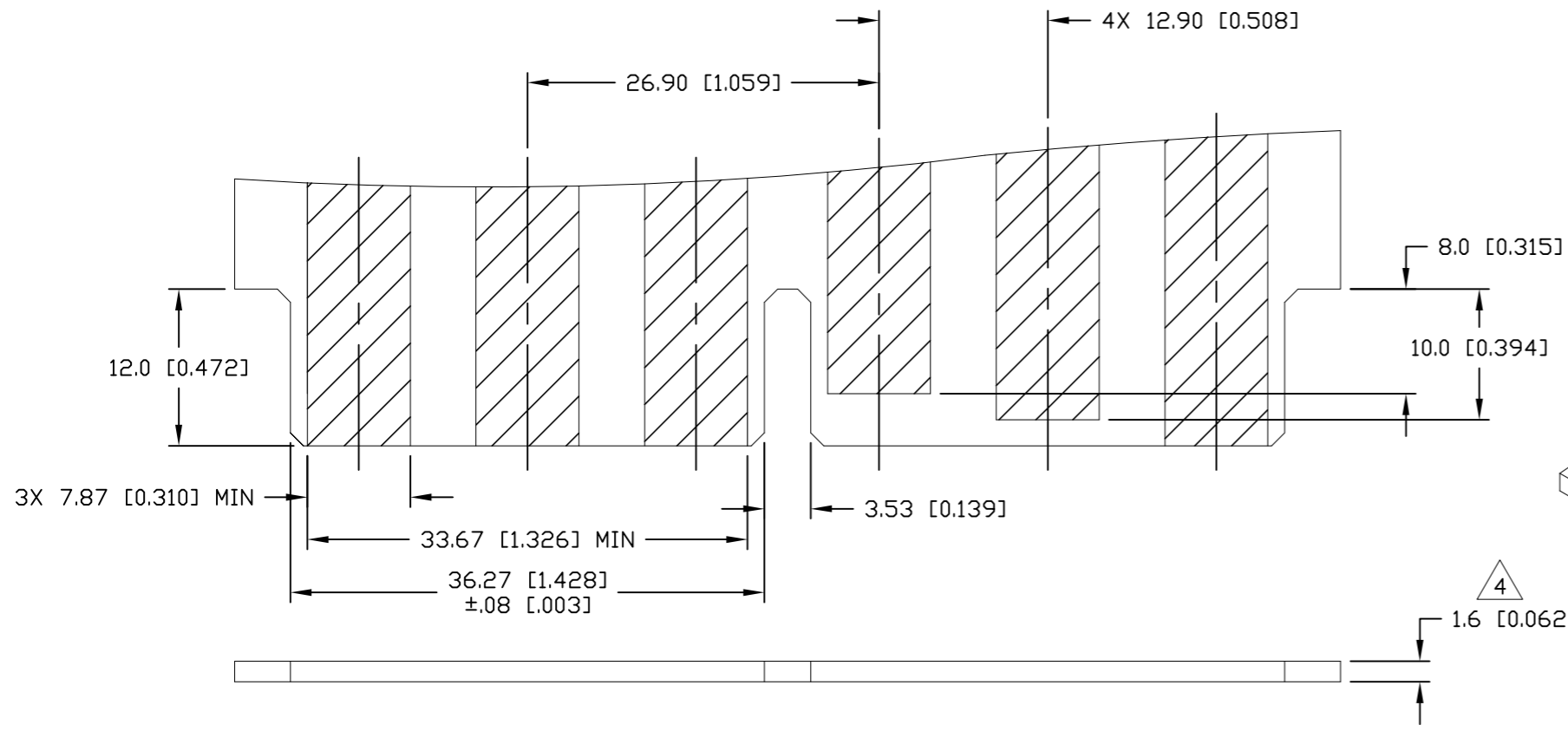
LOC	DIST	REVISIONS					
		P	LTR	DESCRIPTION	DATE	DWN	APVD
-	-	-	-	SEE SHEET 1	-	-	-



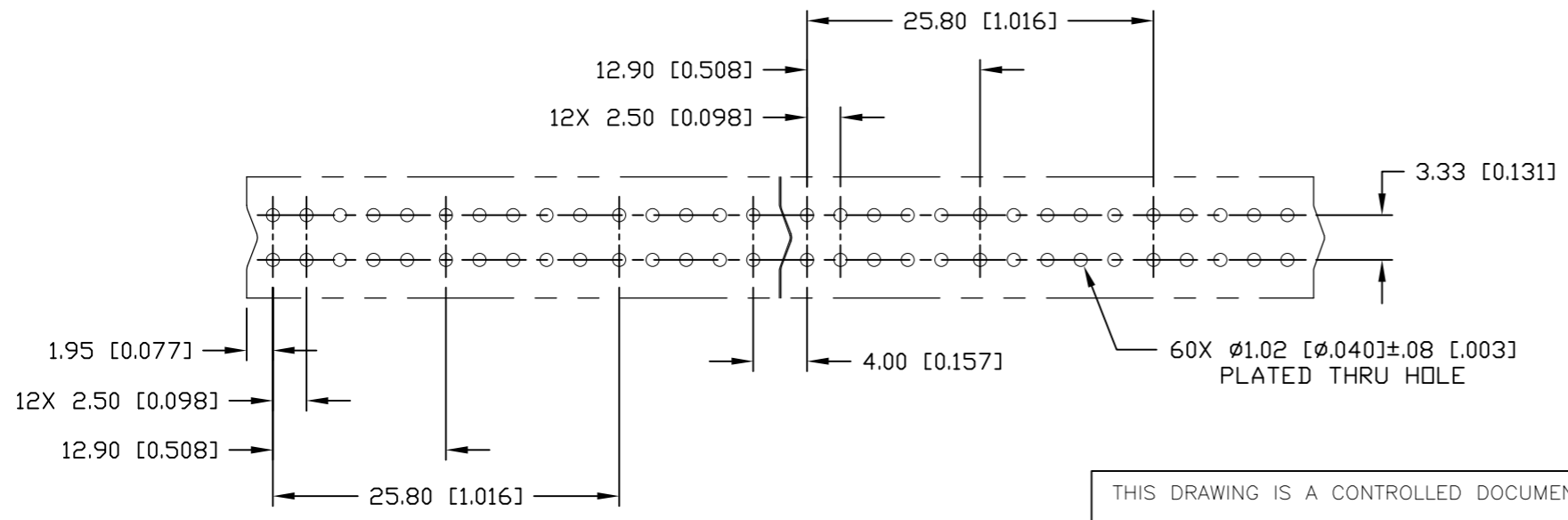
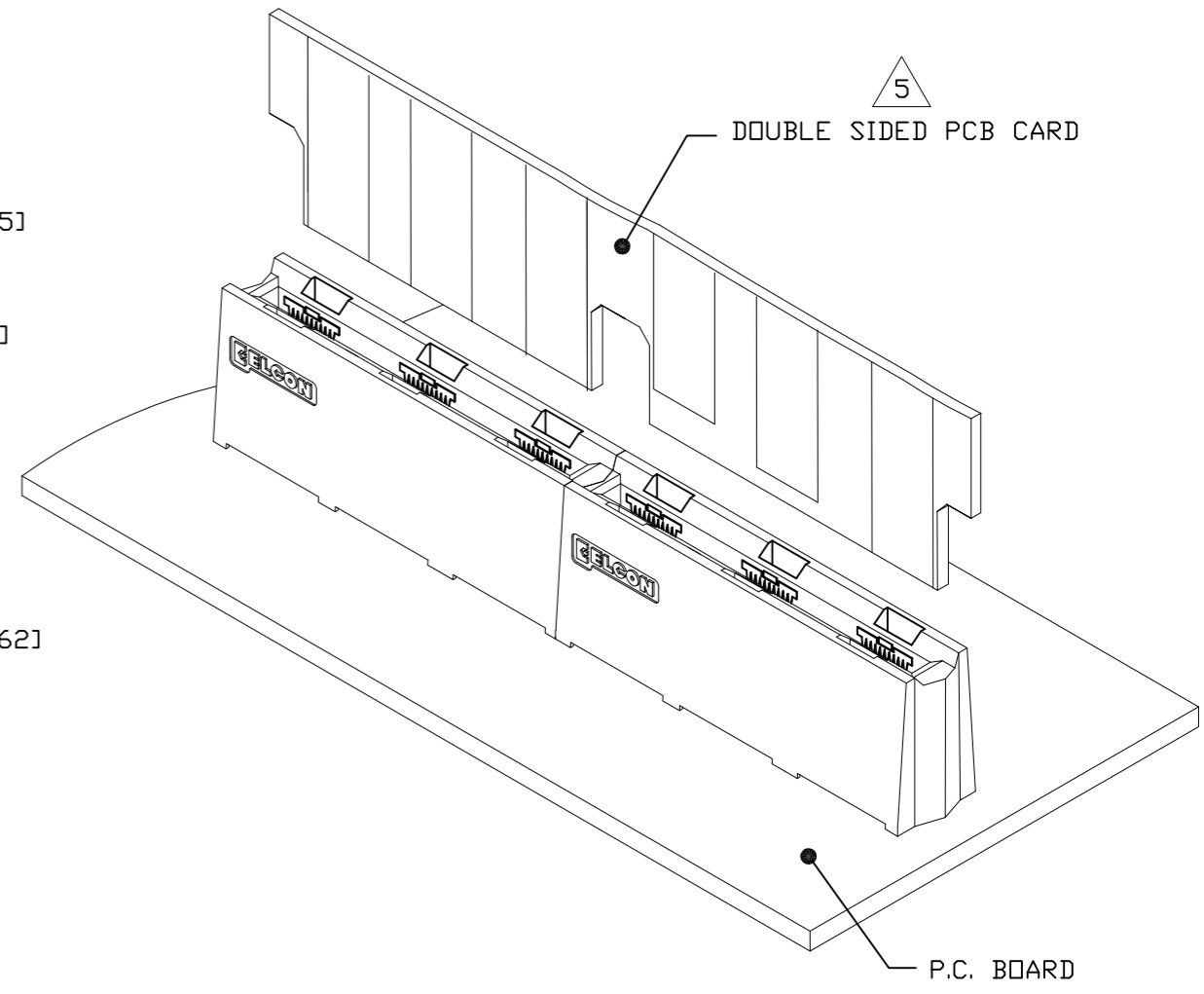
THIS DRAWING IS A CONTROLLED DOCUMENT.		DWN R. F. A.	01/05/05	 TE Connectivity	
DIMENSIONS: mm[INCHES]		CHK -	-		
TOLERANCES UNLESS OTHERWISE SPECIFIED:		APVD D. CHAU	01/06/05	NAME	
0 PLC ± - 1 PLC ± 0.5[0.020] 2 PLC ± 0.25[0.010] 3 PLC ± - 4 PLC ± - ANGLES ± 0.5°		PRODUCT SPEC		SOCKET CONNECTOR, CROWN EDGE 6 POSN PWR, STRAIGHT, COMPLIANT TAILS PN: 286-0052-11301A	
MATERIAL		FINISH		SIZE	RESTRICTED TO
-		-		A3	-
		WEIGHT		CAGE CODE	DRAWING NO
		-		00779	6650384
CUSTOMER DRAWING				SCALE	SHEET
				2:1	3 of 5
				REV	A1

THIS DRAWING IS UNPUBLISHED. RELEASED FOR PUBLICATION
 © COPYRIGHT - By - ALL RIGHTS RESERVED.

LOC	DIST	REVISIONS			
P	LTR	DESCRIPTION	DATE	DWN	APVD
-	-	SEE SHEET 1	-	-	-



△ 6 DOUBLE SIDED P.C.B. CARD



△ 6 RECOMMENDED P.C. BOARD LAYOUT

THIS DRAWING IS A CONTROLLED DOCUMENT.		DWN R. F. A.	01/05/05	TE Connectivity RECOMMENDED PCB LAYOUT PN: 286-0052-12101A/-12301A PN: 286-0052-11301A	
DIMENSIONS: mm[INCHES]		CHK -	-		
TOLERANCES UNLESS OTHERWISE SPECIFIED:		APVD D. CHAU	01/06/05	NAME	
0 PLC ± - 1 PLC ± 0.5[0.020] 2 PLC ± 0.25[0.010] 3 PLC ± - 4 PLC ± - ANGLES ± 0.5°		PRODUCT SPEC		RESTRICTED TO	
MATERIAL		WEIGHT		SIZE	CAGE CODE
-		-		A3	00779
		FINISH		DRAWING NO	RESTRICTED TO
		-		C-6650384	-
CUSTOMER DRAWING				SCALE	SHEET
				2:1	4 OF 5
				REV	A1

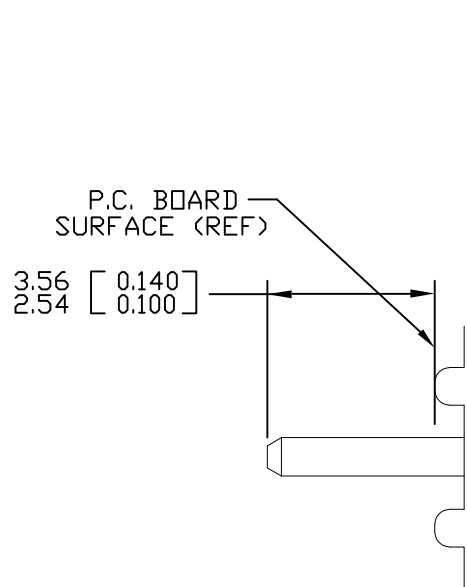
THIS DRAWING IS UNPUBLISHED.

RELEASED FOR PUBLICATION

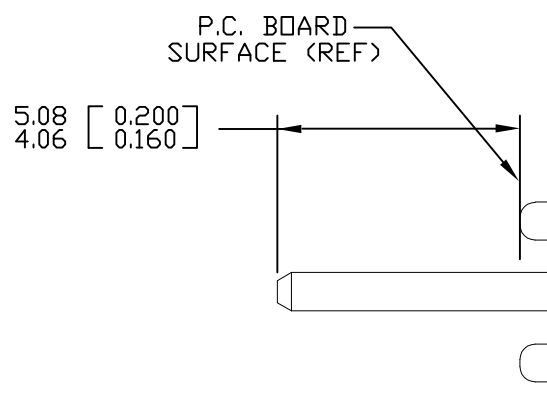
© COPYRIGHT - By -

ALL RIGHTS RESERVED.

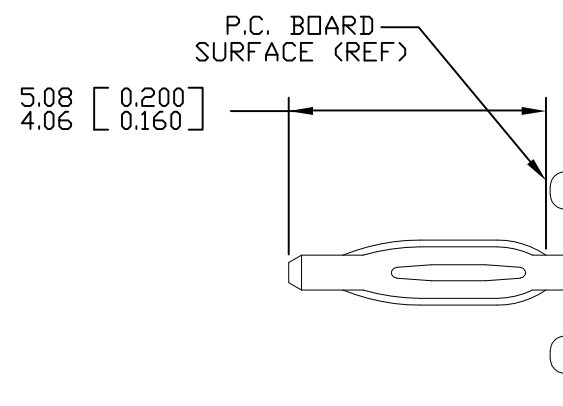
LOC	DIST	REVISIONS					
		P	LTR	DESCRIPTION	DATE	DWN	APVD
-	-	-	-	SEE SHEET 1	-	-	-



SOLDER PIN DETAIL



SOLDER PIN DETAIL


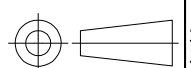


COMPLIANT PIN DETAIL

INSERTION/EXTRACTION FORCES
 MAXIMUM PUSH-IN: 133.3N PER PIN [30 LBS]
 MINIMUM PUSH-OUT: 44.4N PER PIN [10 LBS]

RECOMMENDED PRINTED CIRCUIT HOLE

FINISHED HOLE: $\phi 1.02$ [.040] ± 0.08 [.003]
 DRILLED HOLE: $\phi 1.15$ [.0453] ± 0.13 [.0005]
 COPPER PLATE: .025 [.0010] MINIMUM (PER SURFACE)
 TIN PLATE: .008 [.0003] MINIMUM (PER SURFACE)

THIS DRAWING IS A CONTROLLED DOCUMENT.		DWN R. F. A.	01/05/05	 TE Connectivity		
DIMENSIONS: mm[INCHES]		CHK -	-			
		TOLERANCES UNLESS OTHERWISE SPECIFIED:		APVD D. CHAU	01/06/05	SIZE A3
MATERIAL -		FINISH -		PRODUCT SPEC -	APPLICATION SPEC -	
				WEIGHT -	DRAWING NO C-6650384	RESTRICTED TO -
CUSTOMER DRAWING				SCALE 2:1	SHEET 5 OF 5	REV A1