



MICRO SWITCH

FREEPORT, ILLINOIS, U.S.A.
A DIVISION OF HONEYWELL

FED. MFG. CODE 91929

ACTUATOR-SWITCH

CATALOG LISTING

JE-56

M JE-56

DRAWING NUMBER

ISSUE

X 5

X 8

X 8

REVISIONS

A	CO 18111	LEB	20 MAY 63
B	CO 18390	M B F	16 SEP 63
C	CO 61293	WJM	14 APR 87
D	CO 79303	DLT	7 MAR 95

REPLACES

RELEASE NO. SR 10937

CHECK

16 APR 63

E. B.

CHECK

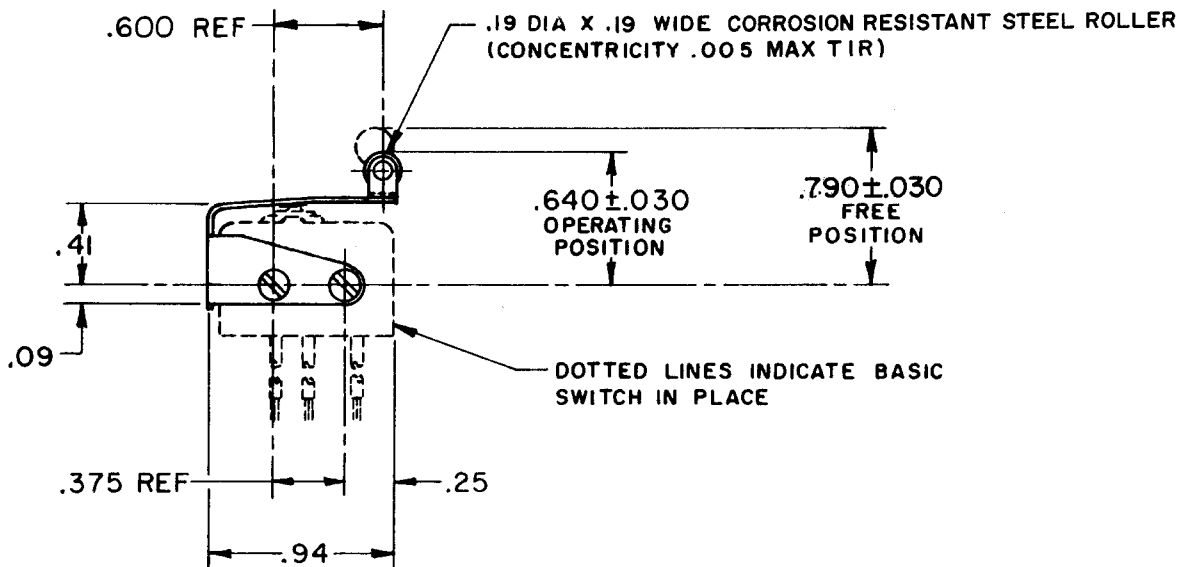
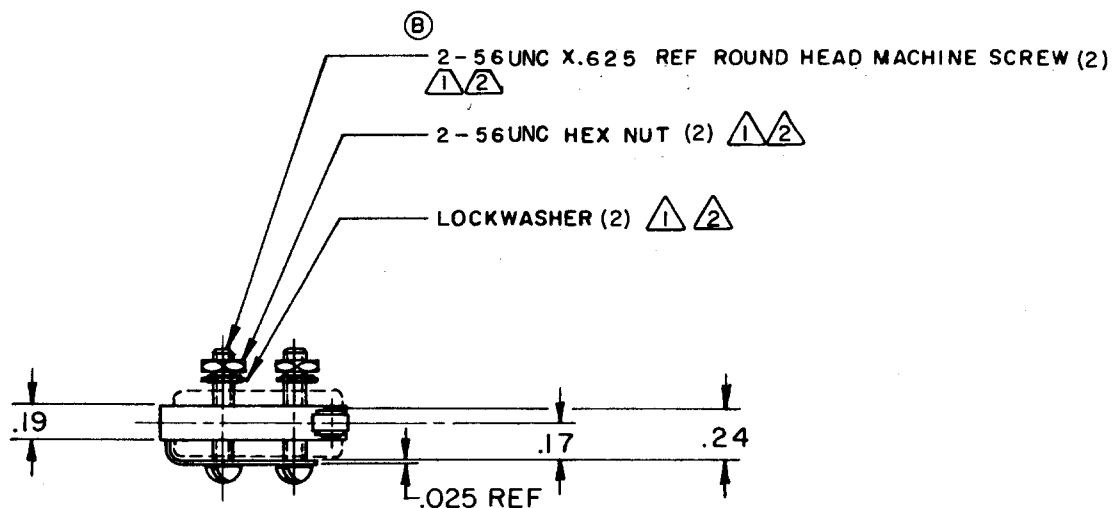
16 APR 63

CHECK

10 APR 63

DRAWN

LEB



NOTE-

- $\triangle 1$ - FURNISHED UNASSEMBLED
- $\triangle 2$ - CORROSION RESISTANT STEEL

THIS DRAWING COVERS A PROPRIETARY ITEM AND IS THE PROPERTY OF MICRO SWITCH, A DIVISION OF MINNEAPOLIS-HONEYWELL REGULATOR CO. THIS DRAWING IS NOT TO BE COPIED OR USED WITHOUT THE APPROVAL OF MICRO SWITCH.

CHARACTERISTICS (WITH ISEI BASIC SWITCH INSTALLED)

OPERATING FORCE	-----12 OZ MAX
RELEASE FORCE	----- 2 OZ MIN
DIFFERENTIAL TRAVEL	----- .025 MAX
OVERTRAVEL	----- .015 MIN

ELECTRICAL DATA

CONTACT ARRANGEMENT
S P D T

SCALE FULL

DO NOT SCALE PRINT

UNLESS OTHERWISE NOTED

DIMENSIONS ARE IN INCHES

TOLERANCES ARE:

ONE PLACE	(.0)	±.030
TWO PLACE	(.00)	±.015
THREE PLACE	(.000)	±.005
ANGLES		±

WEIGHT

FO-50378