

2-Input 1-Output Video Driver

FEATURES

- Operating Voltage 4.5 to 5.5V
- 2-Input 1-Output Video Switch
- 6dB Amp. , 75Ω Driver (2-system drive)
- Frequency Characteristics 0dB at 10MHz
- Sync-tip Clamp
- Bipolar Technology
- Package Outline SOT-23-6-1

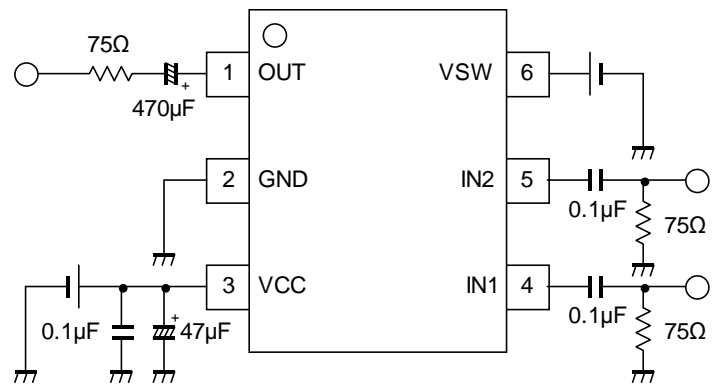
GENERAL DESCRIPTION

The **NJM41010** is a 2-Input 1-Output general-purpose video switch. It includes 6dB amplifier and 75ohm driver circuit. The NJM41010 is suitable for a variety of AV equipment because of a small package.

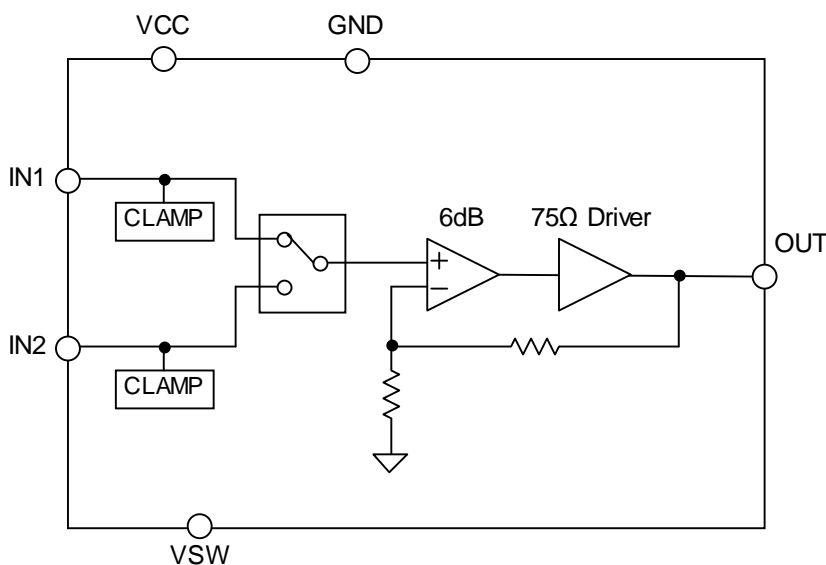
APPLICATION

- Car Navigation
- General video equipment

APPLICATION CIRCUIT



EQUIVALENT CIRCUIT · BLOCK DIAGRAM



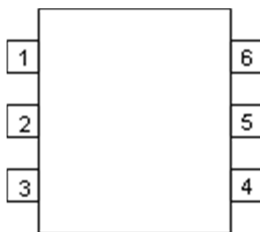
■Video Switch Valuation

Input-Output	Part No.
3in-1out	NJM41050
4in-2out	NJW1342
8in-2out	NJW1341

■Operating Temperature Range Valuation

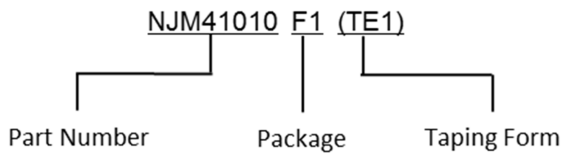
Operating Temperature Range	Part No.
-40 to 105°C	NJM41010F1-T

■PIN CONFIGURATION



PIN NO.	SYMBOL	DESCRIPTION
1	OUT	Video Signal Output Terminal
2	GND	GND Terminal
3	VCC	Power Supply Terminal
4	IN1	Video Signal Input Terminal
7	IN2	Video Signal Input Terminal
8	VSW	Video Signal Switch Terminal

■MARK INFORMATION



■ORDERING INFORMATION

PART NUMBER	PACKAGE OUTLINE	RoHS	HALOGEN-FREE	TERMINAL FINISH	MARKING	WEIGHT (mg)	MOQ(pcs)
NJM41010F1	SOT-23-6-1	YES	YES	Sn-2Bi	DP	15.0	3,000

■ABSOLUTE MAXIMUM RATINGS

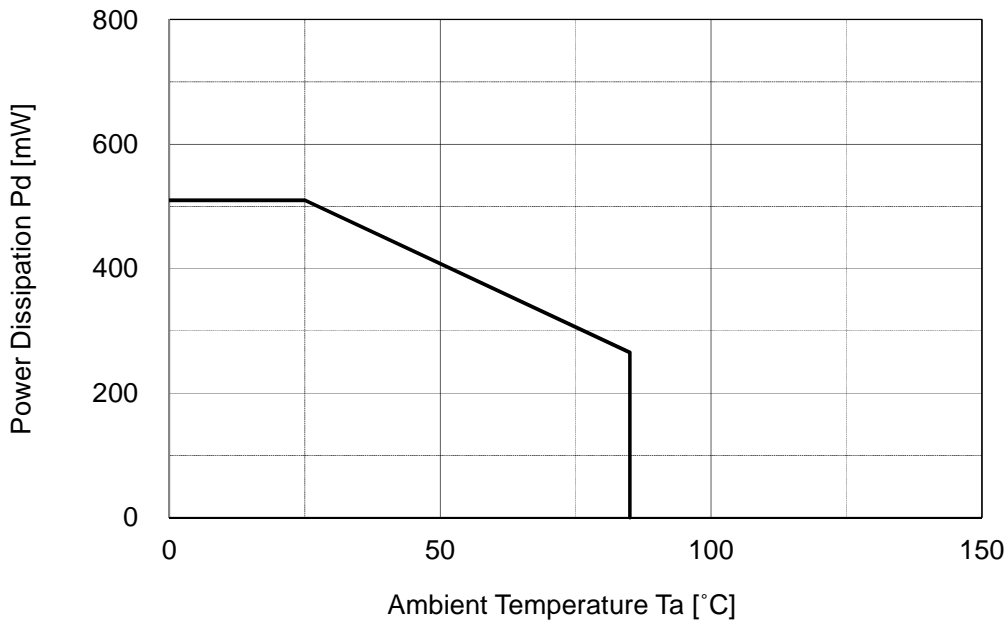
PARAMETER	SYMBOL	RATINGS	UNIT
Supply Voltage	VCC	11.0	V
Power Dissipation (Ta=25°C) ⁽⁴⁾	P _D	510 (1)	mW
Operating Temperature Range	T _{opr}	-40 to 85	°C
Storage Temperature Range	T _{stg}	-40 to 150	°C

(1) At on a board of EIA/JEDEC specification. (114.3 x 76.2 x 1.6mm 2 layers, FR-4)

■RECOMMENDED OPERATING CONDITIONS

PARAMETER	SYMBOL	RATINGS	UNIT
Supply Voltage	VCC	4.5 to 5.5	V

■POWER DISSIPATION vs. AMBIENT TEMPERATURE



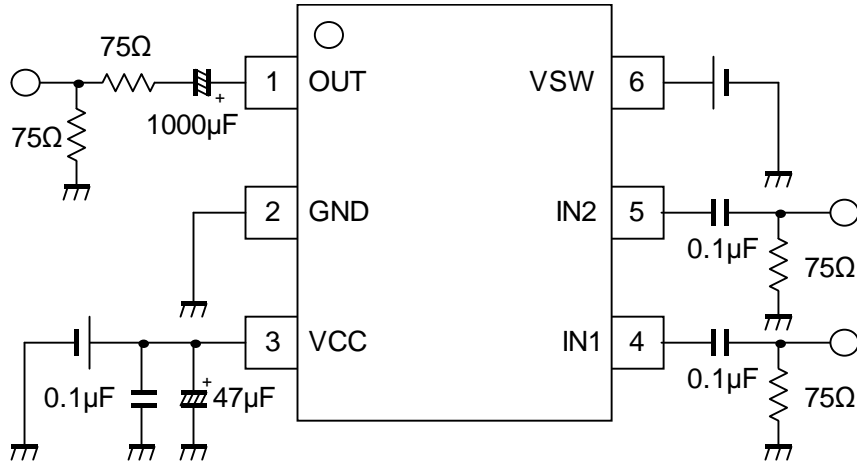
■ **ELECTRICAL CHARACTERISTICS** (VCC=5.0V, R_L=150Ω, Ta=25°C)

PARAMETER	SYMBOL	TEST CONDITION	MIN.	TYP.	MAX.	UNIT
Operating Current	I _{CC}	No Signal	-	8.0	15.0	mA
Voltage Gain	G _v	VIN=1MHz, 1.0Vp-p, Input Sine Signal	5.5	6.0	6.5	dB
Maximum Output Voltage Swing	V _{om}	f=100kHz, THD=1%	2.2	-	-	Vp-p
Frequency Characteristics	G _f	VIN=10MHz/1MHz, 1.0Vp-p Sine-wave	-1.0	0	1.0	dB
Channel Cross talk	CT	VIN=4.43MHz, 1.0Vp-p, Sine-wave	-	-60	-50	dB
Differential Gain	DG	VIN=1.0Vp-p, 10step Video Signal	-	0.5	-	%
Differential Phase	DP	VIN=1.0Vp-p, 10step Video Signal	-	0.2	-	deg
Switch inflow current High Level	I _{SWH}	V=5V	-	-	300	μA
Switch inflow current Low Level	I _{SWL}	V=0.3V	-	-	30	μA
SW Change Voltage High Level	V _{thH}	VSW	2.0	-	VCC	V
SW Change Voltage Low Level	V _{thL}	VSW	0	-	1.0	

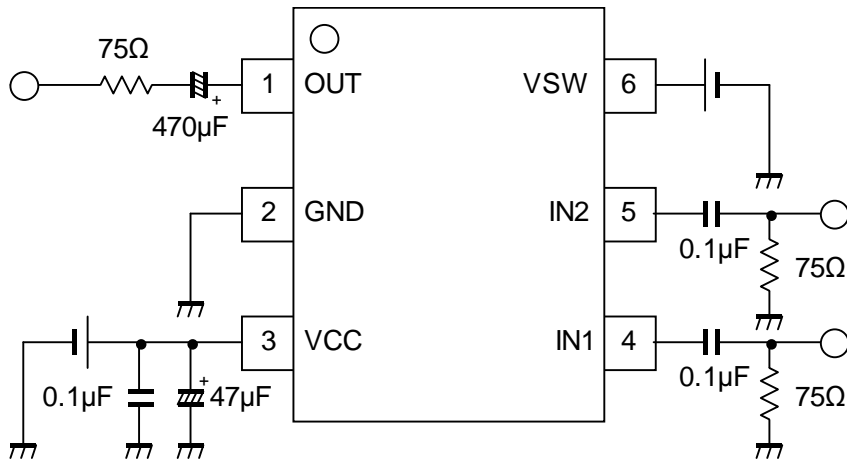
■ **CONTROL TERMINAL**

PARAMETER	STATUS	NOTE
VSW(Output signal select)	H	IN2 output
	L	IN1 output
	OPEN	IN1 output

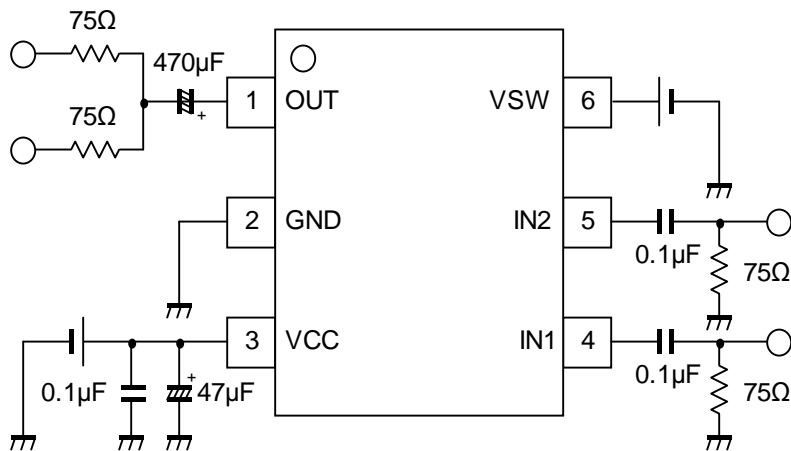
■TEST CIRCUIT



■APPLICATION CIRCUIT 1



■APPLICATION CIRCUIT 2 (2-system drive)



Note

This circuit drives two-line of 150Ω. However, it may cause to lose synchronization by an input signal of large APL change (100% white signals more than 1Vp-p).
 Confirm the large APL change waveform (100% white signals more than 1Vp-p) and evaluate sufficiently.

■TERMINAL FUNCTION

PIN No.	PIN NAME	FUNCTION	EQUIVALENT CIRCUIT	DC VOLTAGE
1	OUT	Video Signal Output Terminal		1.3V
2	GND	GND Terminal	-	-
3	VCC	Power Supply Terminal	-	-
4 5	IN1 IN2	Video Signal Input Terminal		1.56V
6	VSW	Video Signal Switch Terminal		-

◆Clamp circuit

1. Operation of Sync-tip-clamp

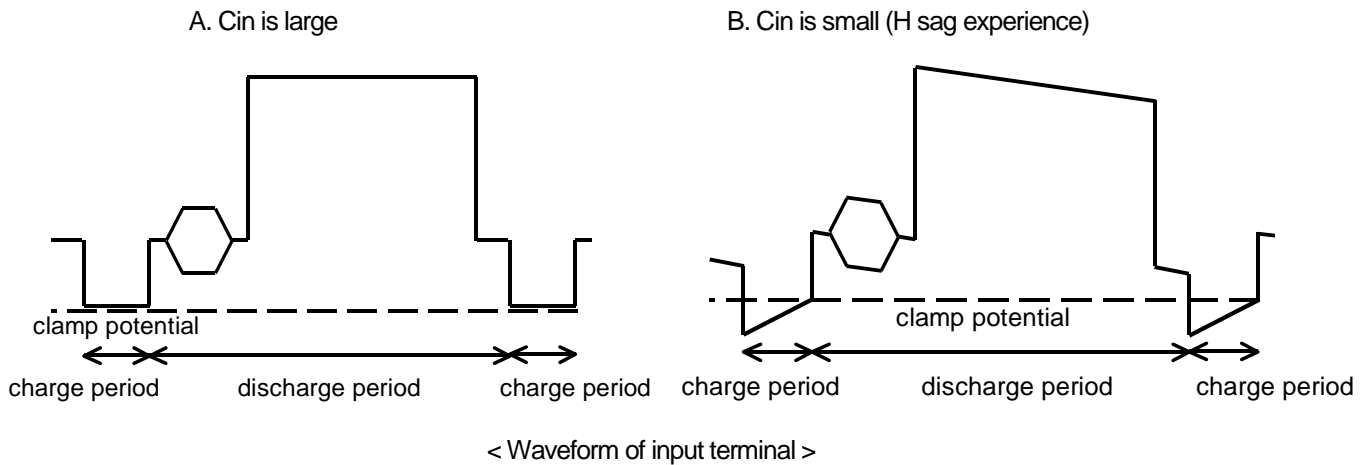
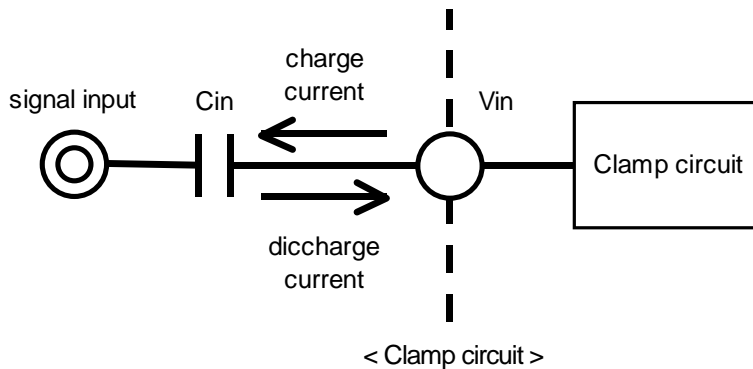
Input circuit will be explained. Sync-tip clamp circuit (below the clamp circuit) operates to keep a sync tip of the minimum potential of the video signal. Clamp circuit is a circuit of the capacitor charging and discharging of the external input C_{in} . It is charged to the capacitor to the external input C_{in} at sync tip of the video signal. Therefore, the potential of the sync tip is fixed.

And it is discharged charge by capacitor C_{in} at period other than the video signal sync tip. This is due to a small discharge current to the IC.

In this way, this clamp circuit is fixed sync tip of video signal to a constant potential from charging of C_{in} and discharging of C_{in} at every one horizontal period of the video signal.

The minute current be discharged an electrical charge from the input capacitor at the period other than the sync tip of video signals. Decrease of voltage on discharge is dependent on the size of the input capacitor C_{in} .

If you decrease the value of the input capacitor, will cause distortion, called the H sag. Therefore, the input capacitor recommend on more than 0.1 μ F.



2. Input impedance

The input impedance of the clamp circuit is different at the capacitor discharge period and the charge period.

The input impedance of the charging period is a few $k\Omega$. On the other hand, the input impedance of the discharge period is several $M\Omega$. Because is a small discharge-current through to the IC.

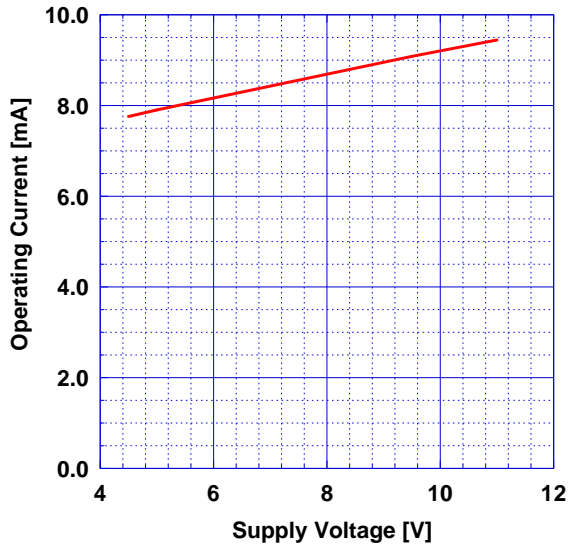
Thus the input impedance will vary depending on the operating state of the clamp circuit.

3. Impedance of signal source

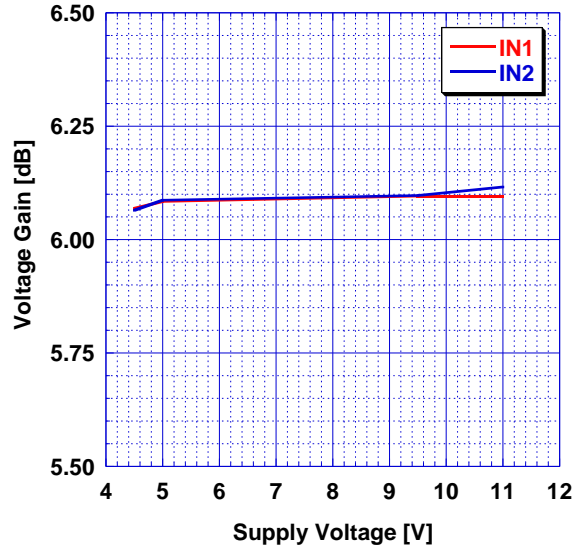
Source impedance to the input terminal, please lower than 200 Ω . A high source impedance, the signal may be distorted. If so, please to connect a buffer for impedance conversion.

■ TYPICAL CHARACTERISTICS

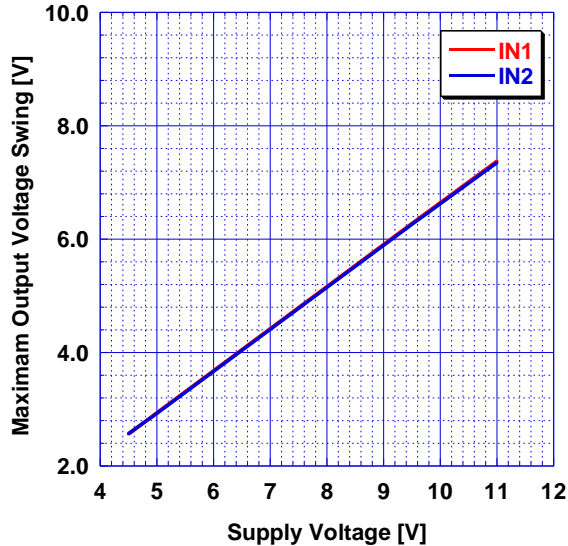
Operating Current vs. Supply Voltage



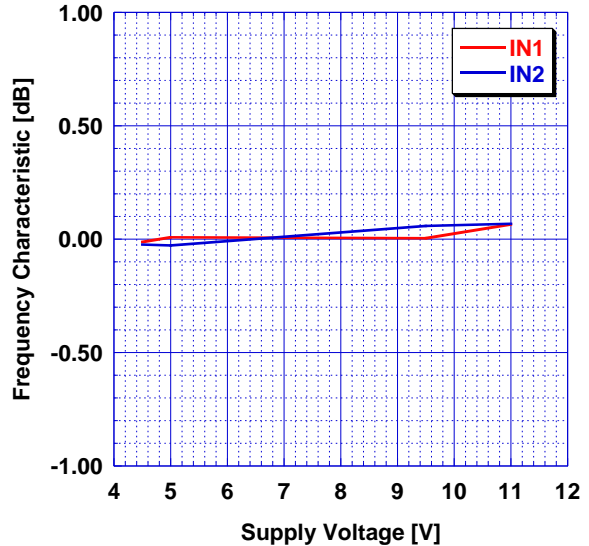
Voltage Gain vs. Supply Voltage
1.0Vpp, 1MHz Sine Signal Input



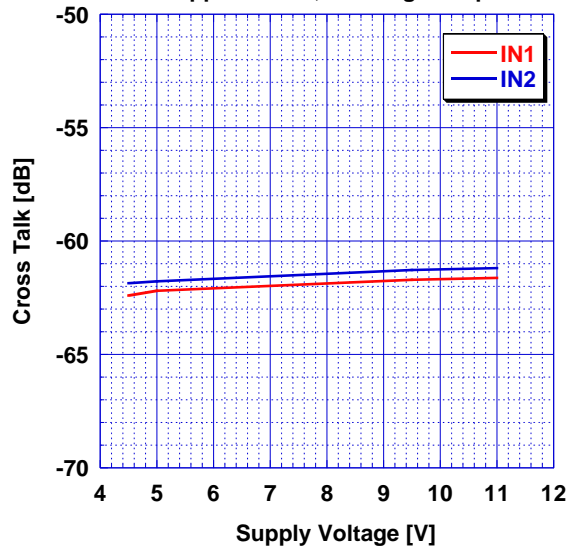
Maximum Output Voltage Swing vs. Supply Voltage
Total Harmonic Distortion=1%, 100kHz



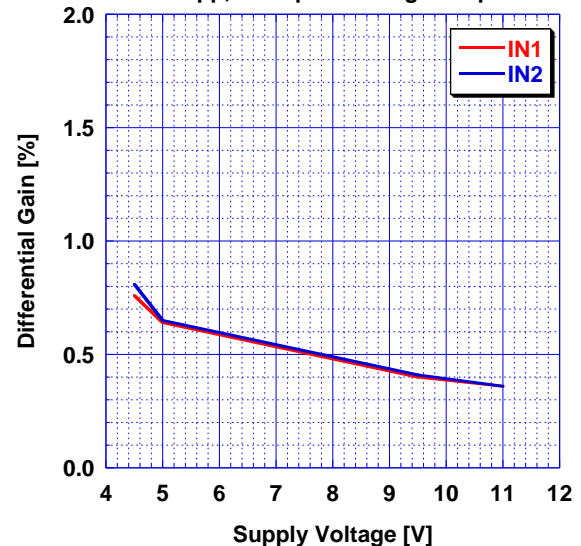
Frequency Characteristic vs. Supply Voltage
1.0Vpp, 10MHz/1MHz



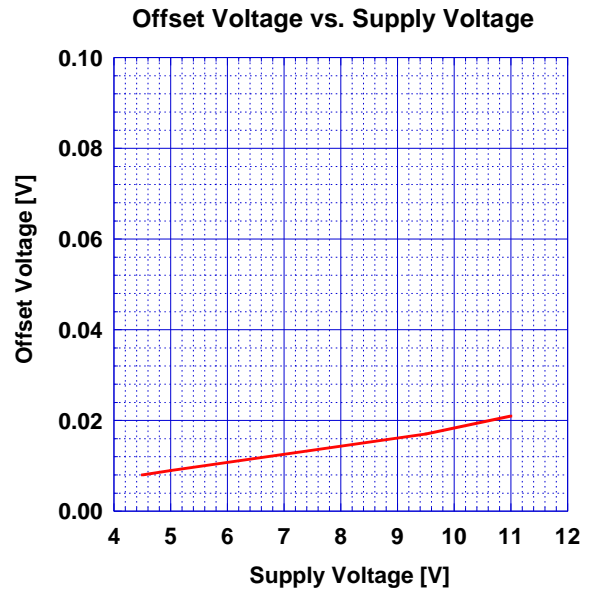
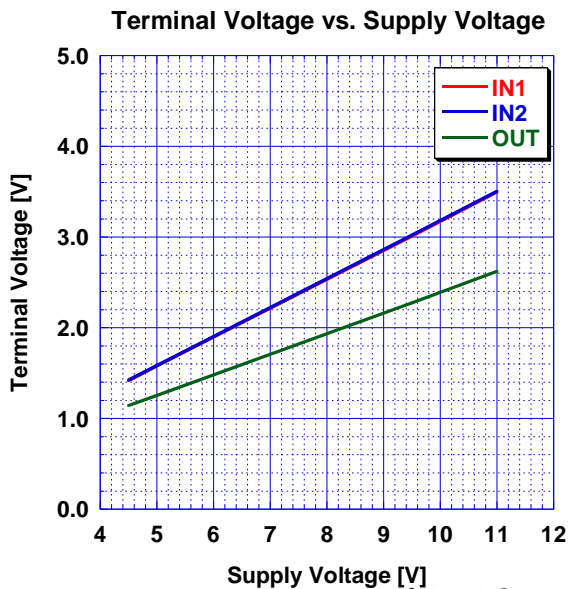
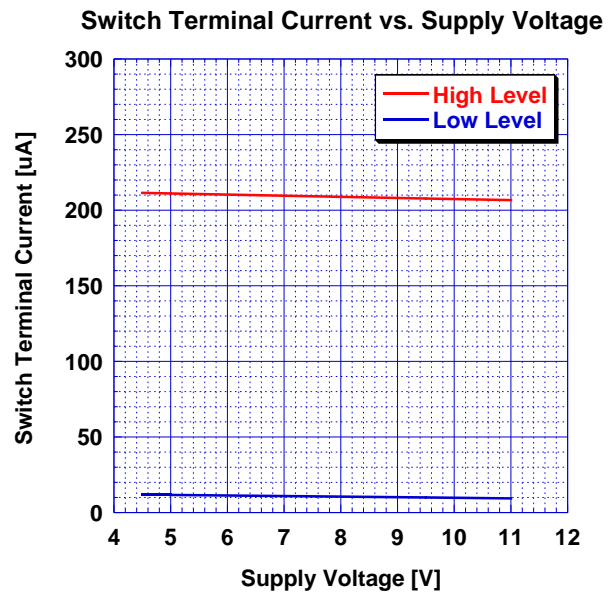
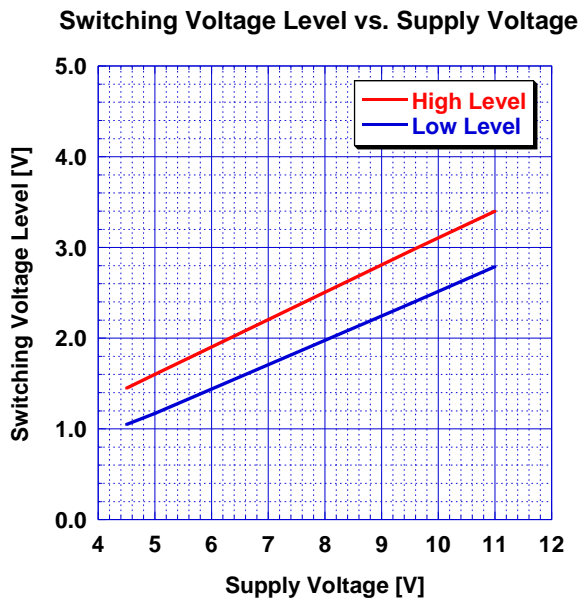
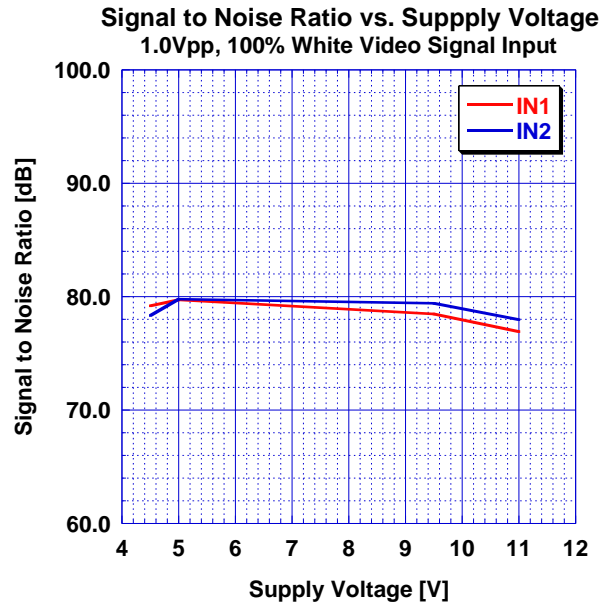
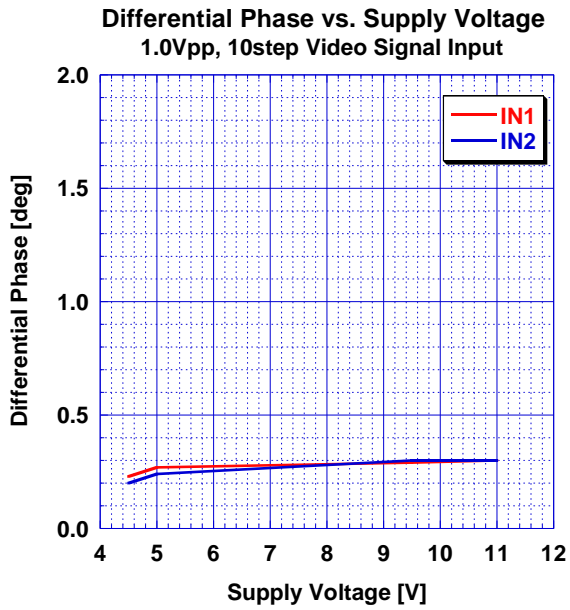
Cross Talk vs. Supply Voltage
1.0Vpp 4.43MHz, Sine Signal Input



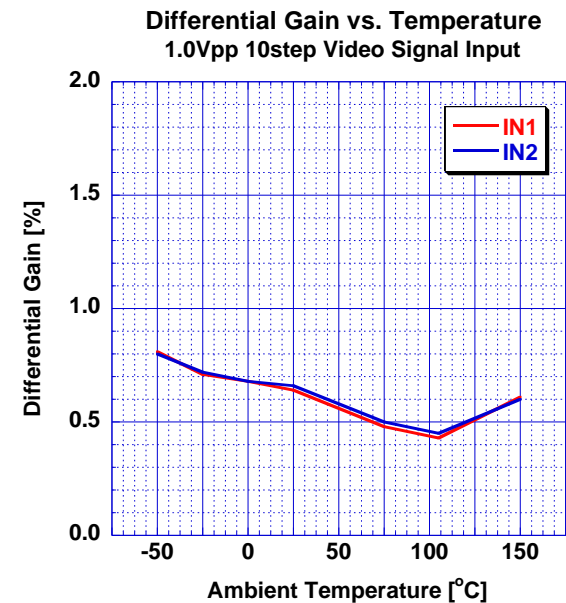
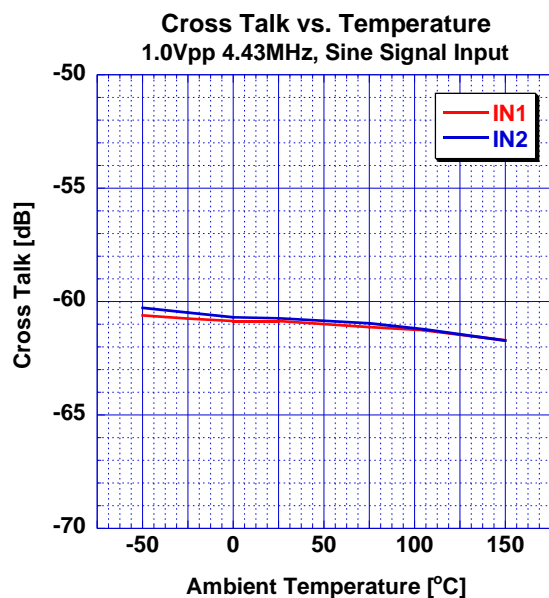
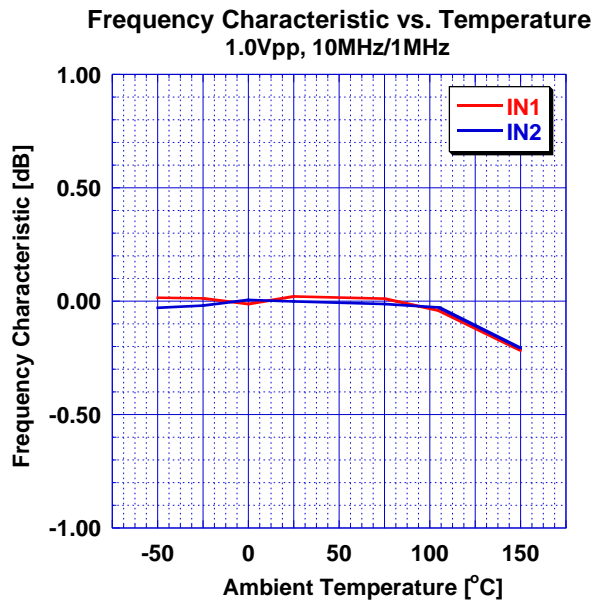
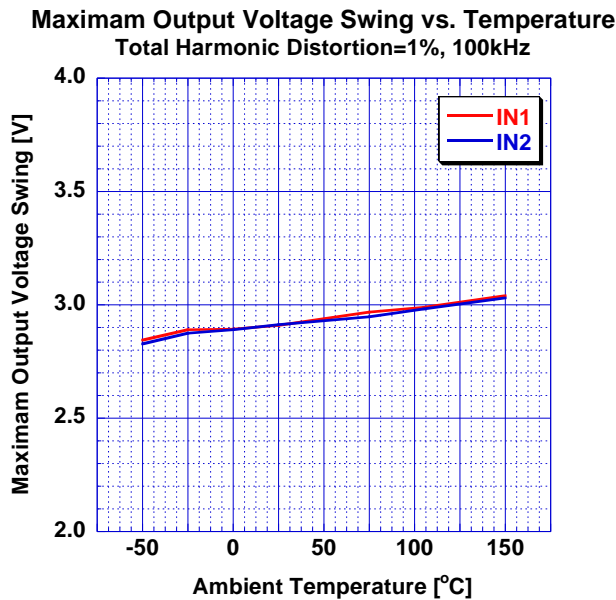
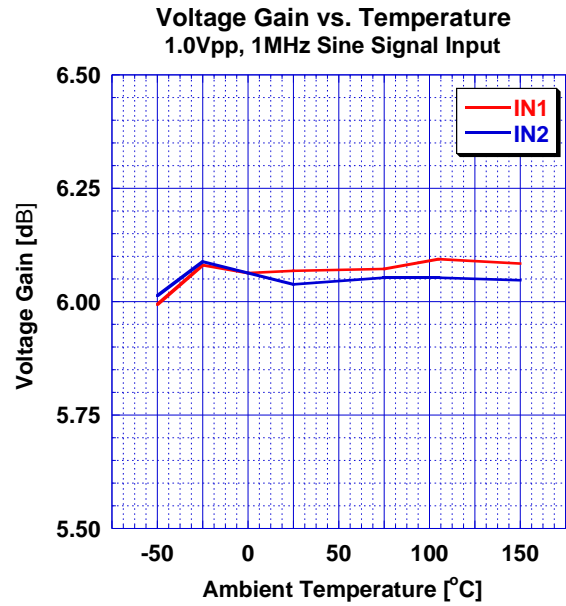
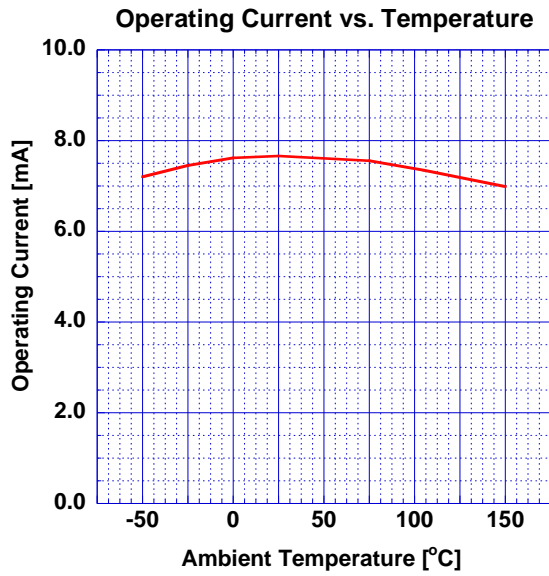
Differential Gain vs. Supply Voltage
1.0Vpp, 10step Video Signal Input



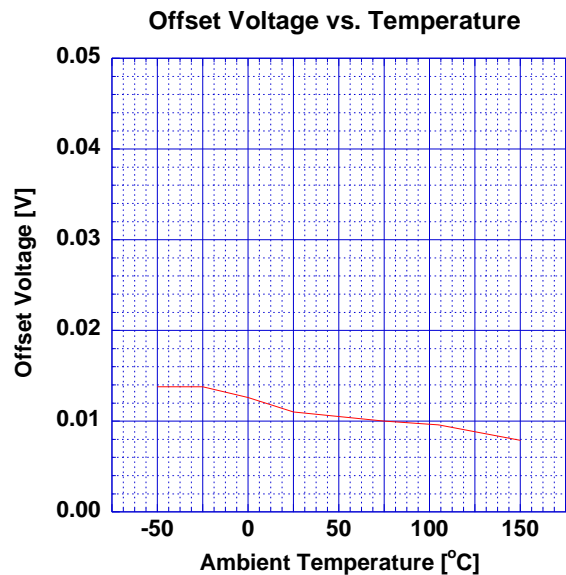
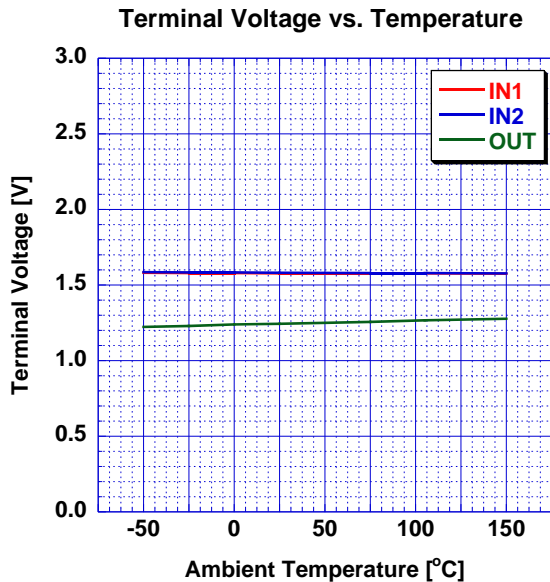
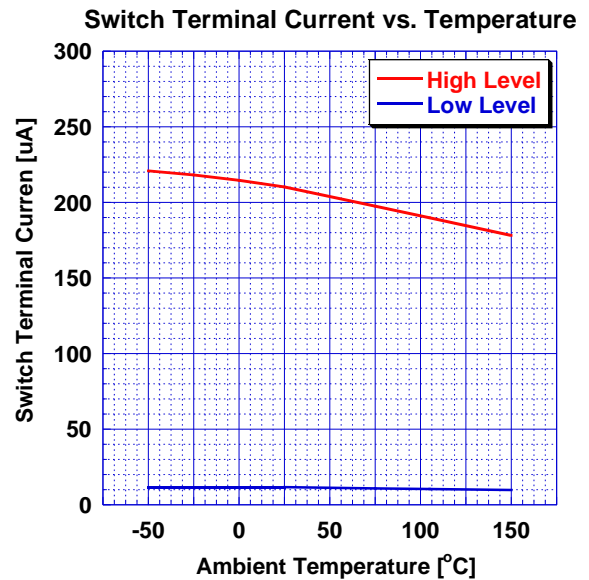
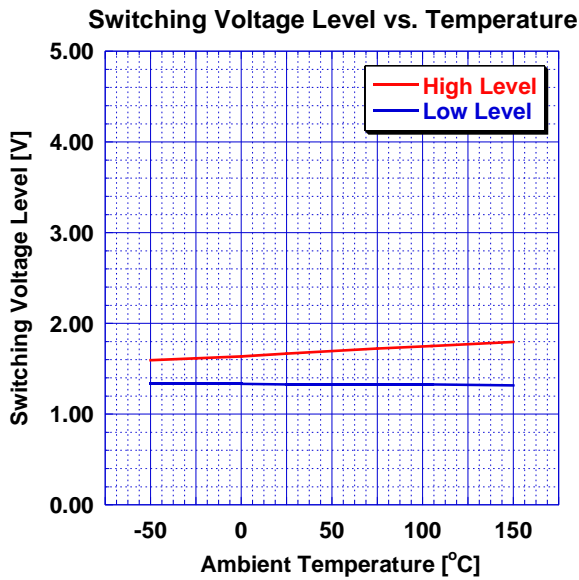
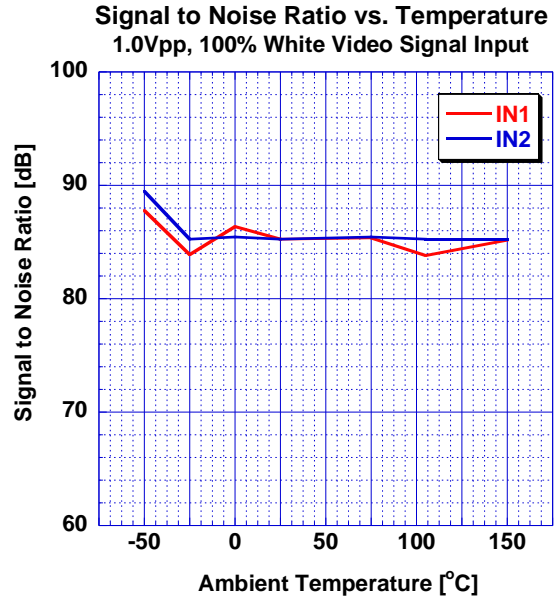
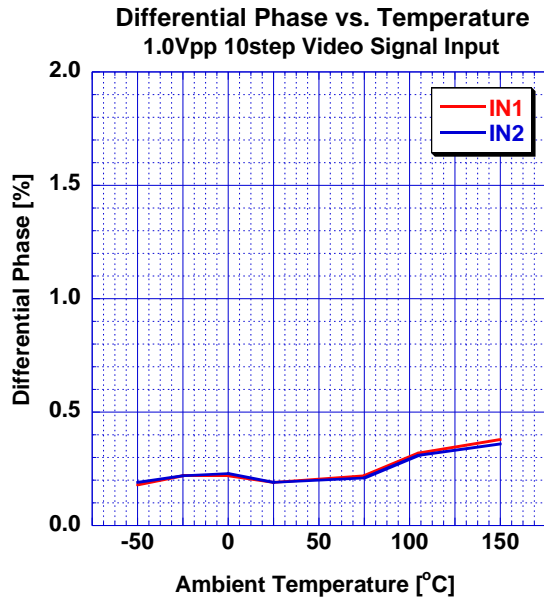
■ TYPICAL CHARACTERISTICS



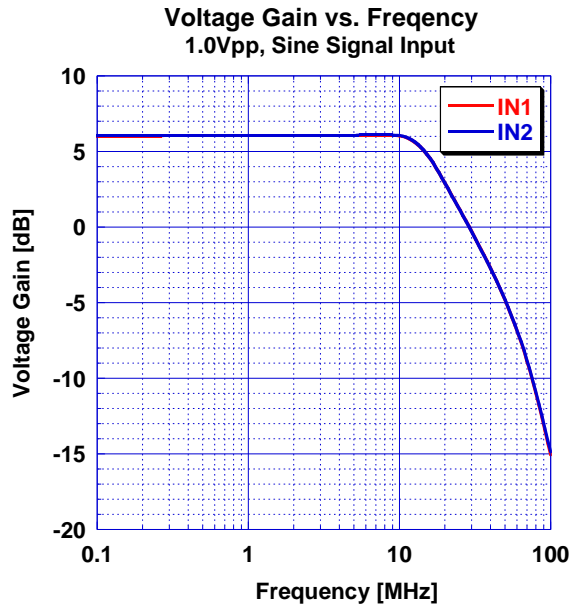
■ TYPICAL CHARACTERISTICS



■ TYPICAL CHARACTERISTICS

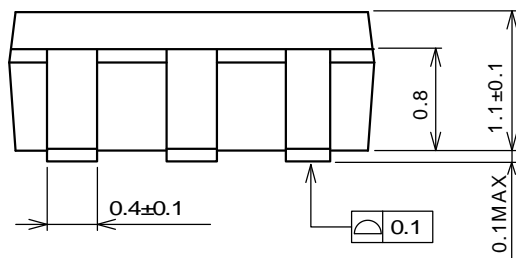
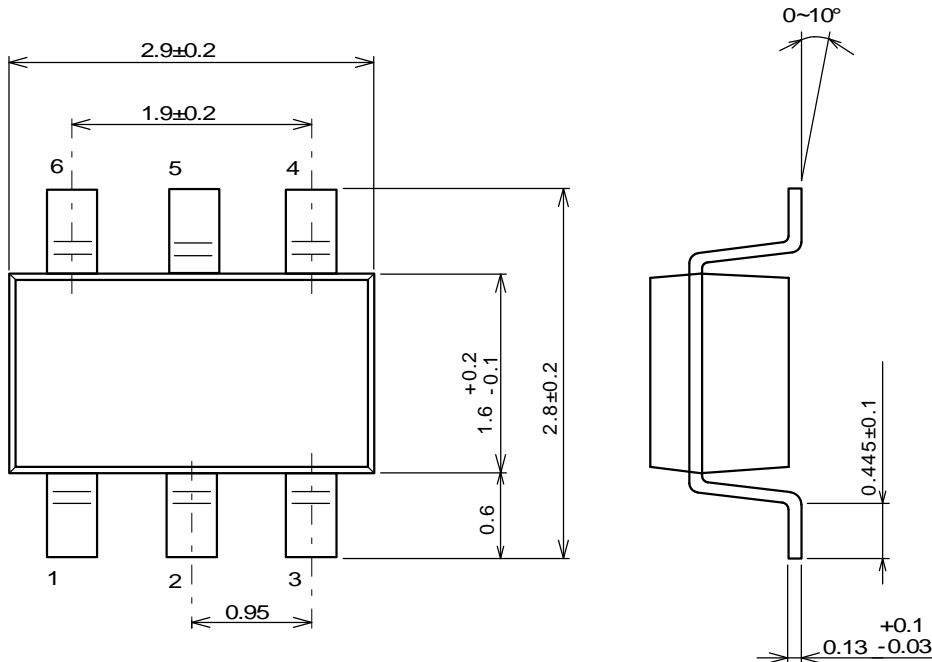


■ TYPICAL CHARACTERISTICS



■PACKAGE OUTLINE

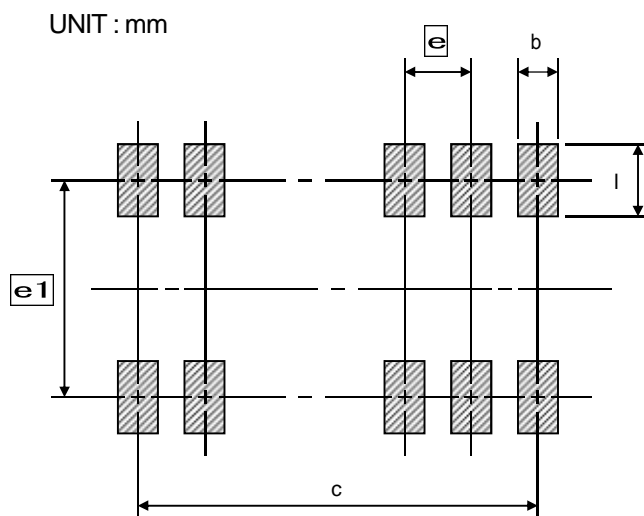
SOT-23-6-1(MTP6-1)



■SOLDER FOOT PRINT

PKG	b	l	c	e1	e
SOT-23-6-1	0.70	1.00	1.90	2.40	0.95

UNIT : mm



Note : These solder foot print dimensions are just examples.
When designing PCB, please estimate the pattern carefully.

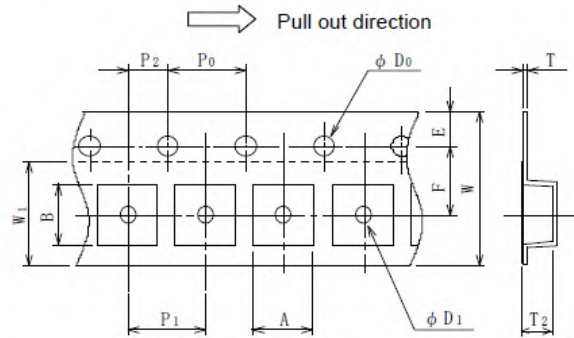
PACKING SPECIFICATION

General Description

NJRC delivers ICs in 4 methods, plastic tube container, two kinds of Taping, tray and vinyl bag packing.
 Except adhesive tape treated anti electrostatic and contain carbon are using as the ESD (Electrostatic Discharge Damage) protection.

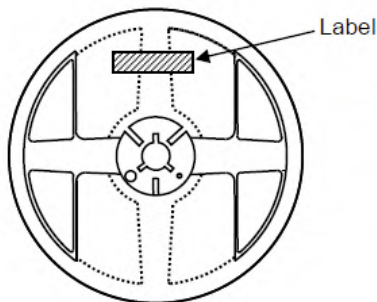
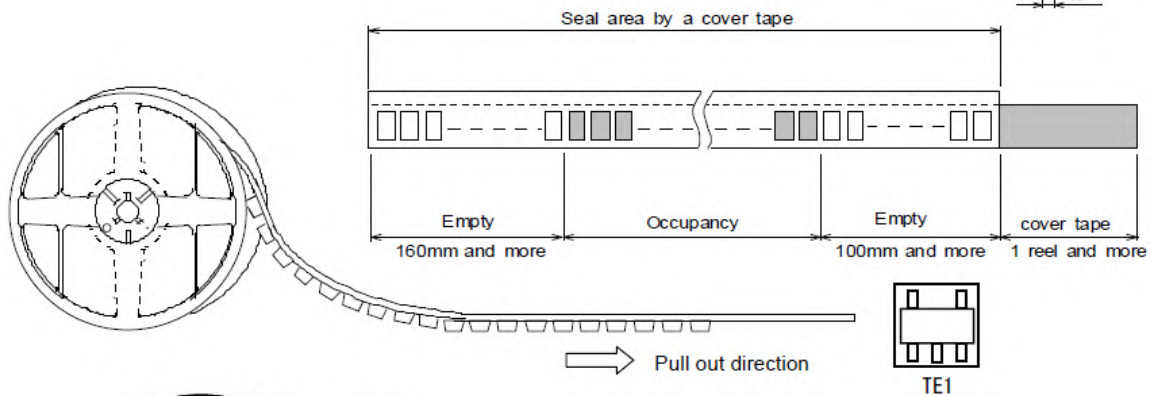
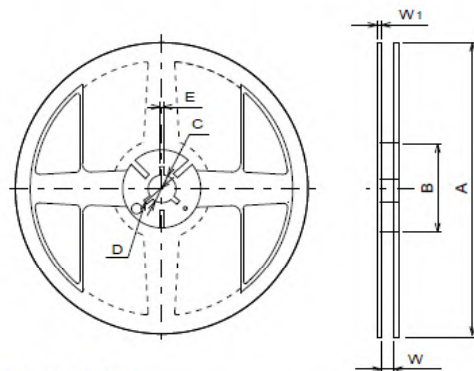
SOT-23(MTP) Emboss Taping (TE1)

Symbol	SOT-23-6-1	Remark
A	3.3±0.1	Bottom size
B	3.2±0.1	Bottom size
D ₀	1.55	
D ₁	1.05	
E	1.75±0.1	
F	3.5±0.05	
P ₀	4.0±0.1	
P ₁	4.0±0.1	
P ₂	2.0±0.05	
T	0.25±0.05	
T ₂	1.57	
W	8.0±0.3	
W ₁	5.5	Thickness 0.1MAX

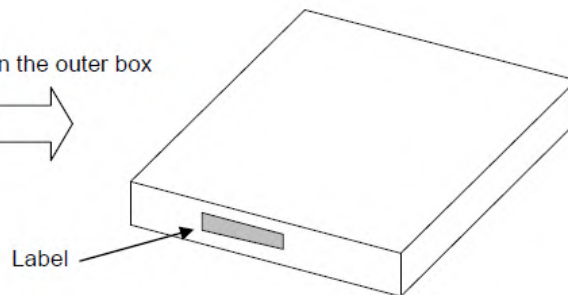


Symbol	SOT-23-6-1
A	Ø180±1
B	Ø 60±1
C	Ø 13±0.2
D	Ø 21±0.8
E	2±0.5
W	9±0.5
W ₁	1.2±0.2
Contents	3,000pcs

Unit : mm

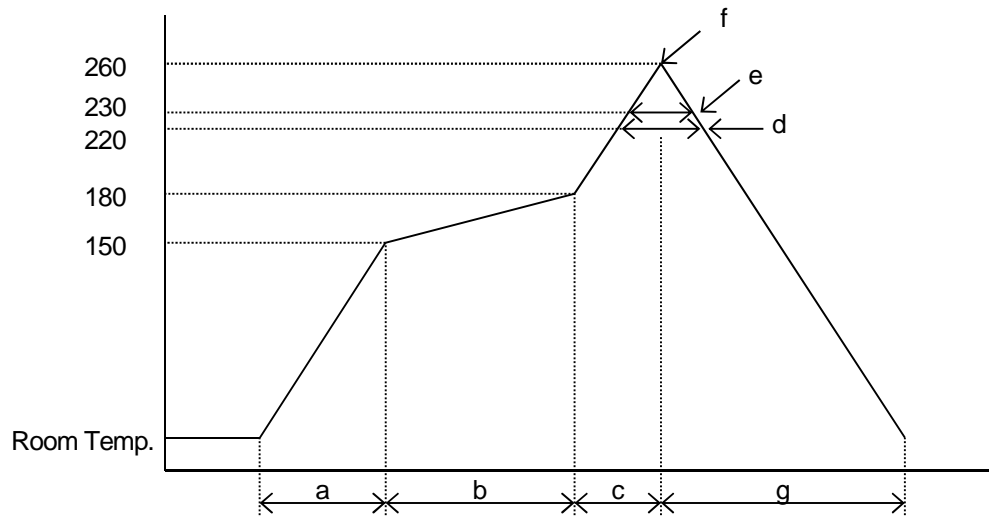


Put in the outer box



RECOMMENDED MOUNTING METHOD

* Recommended reflow soldering procedure



a: Temperature ramping rate	: 1 to 4 /s
b: Pre-heating temperature time	: 150 to 180 : 60 to 120s
c: Temperature ramp rate	: 1 to 4 /s
d: 220 or higher time	: Shorter than 60s
e: 230 or higher time	: Shorter than 40s
f: Peak temperature	: Lower than 260
g: Temperature ramping rate	: 1 to 6 /s

The temperature indicates at the surface of mold package.

[CAUTION]

1. New JRC strives to produce reliable and high quality semiconductors. New JRC's semiconductors are intended for specific applications and require proper maintenance and handling. To enhance the performance and service of New JRC's semiconductors, the devices, machinery or equipment into which they are integrated should undergo preventative maintenance and inspection at regularly scheduled intervals. Failure to properly maintain equipment and machinery incorporating these products can result in catastrophic system failures
2. The specifications on this datasheet are only given for information without any guarantee as regards either mistakes or omissions. The application circuits in this datasheet are described only to show representative usages of the product and not intended for the guarantee or permission of any right including the industrial rights. All other trademarks mentioned herein are property of their respective companies.
3. To ensure the highest levels of reliability, New JRC products must always be properly handled. The introduction of external contaminants (e.g. dust, oil or cosmetics) can result in failures of semiconductor products.
4. New JRC offers a variety of semiconductor products intended for particular applications. It is important that you select the proper component for your intended application. You may contact New JRC's Sale's Office if you are uncertain about the products listed in this catalog.
5. Special care is required in designing devices, machinery or equipment which demand high levels of reliability. This is particularly important when designing critical components or systems whose failure can foreseeably result in situations that could adversely affect health or safety. In designing such critical devices, equipment or machinery, careful consideration should be given to amongst other things, their safety design, fail-safe design, back-up and redundancy systems, and diffusion design.
6. The products listed in the catalog may not be appropriate for use in certain equipment where reliability is critical or where the products may be subjected to extreme conditions. You should consult our sales office before using the products in any of the following types of equipment.

Aerospace Equipment
Equipment Used in the Deep sea
Power Generator Control Equipment (Nuclear, Steam, Hydraulic)
Life Maintenance Medical Equipment
Fire Alarm/Intruder Detector
Vehicle Control Equipment (airplane, railroad, ship, etc.)
Various Safety devices

7. New JRC's products have been designed and tested to function within controlled environmental conditions. Do not use products under conditions that deviate from methods or applications specified in this catalog. Failure to employ New JRC products in the proper applications can lead to deterioration, destruction or failure of the products. New JRC shall not be responsible for any bodily injury, fires or accident, property damage or any consequential damages resulting from misuse or misapplication of its products. Products are sold without warranty of any kind, either express or implied, including but not limited to any implied warranty of merchantability or fitness for a particular purpose.
8. Warning for handling Gallium and Arsenic(GaAs) Products (Applying to GaAs MMIC, Photo Reflector). This Products uses Gallium(Ga) and Arsenic(As) which are specified as poisonous chemicals by law. For the prevention of a hazard, do not burn, destroy, or process chemically to make them as gas or power. When the product is disposed, please follow the related regulation and do not mix this with general industrial waste or household waste.
9. The product specifications and descriptions listed in this catalog are subject to change at any time, without notice.



Mouser Electronics

Authorized Distributor

Click to View Pricing, Inventory, Delivery & Lifecycle Information:

[NJR:](#)

[NJM41010F1-TE2](#)