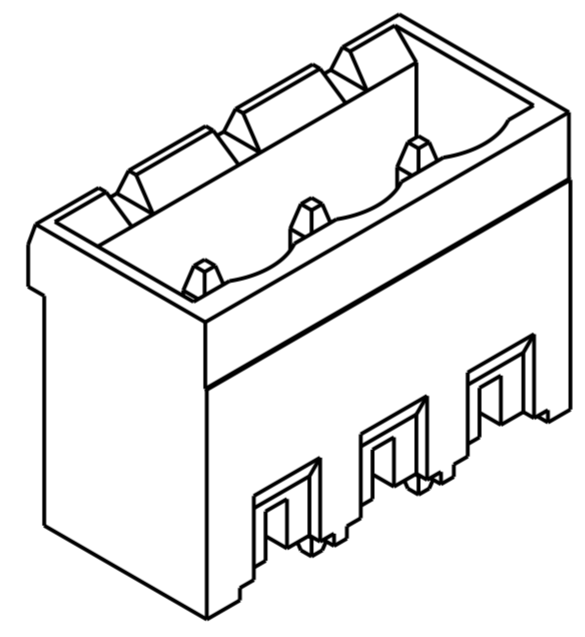
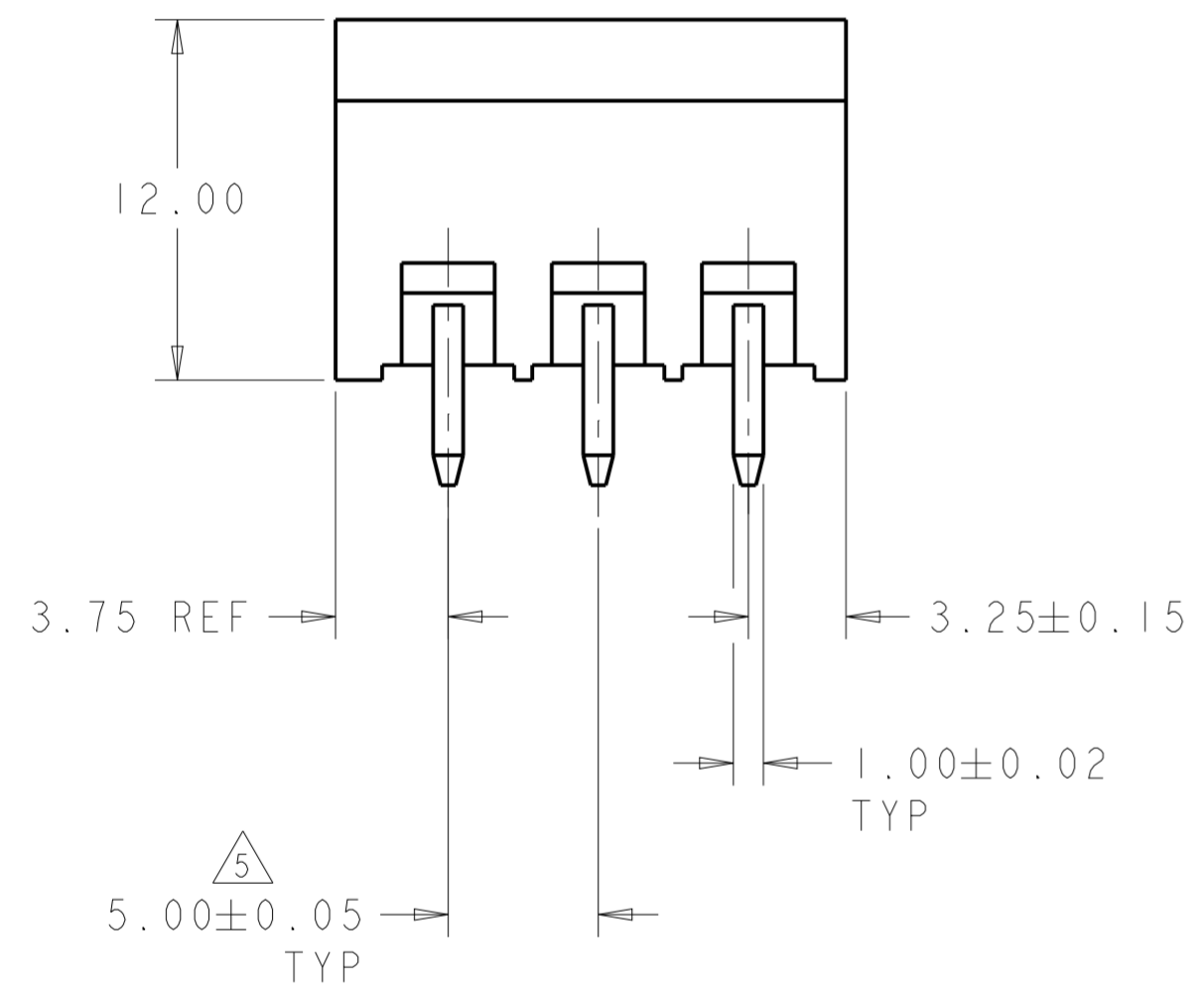
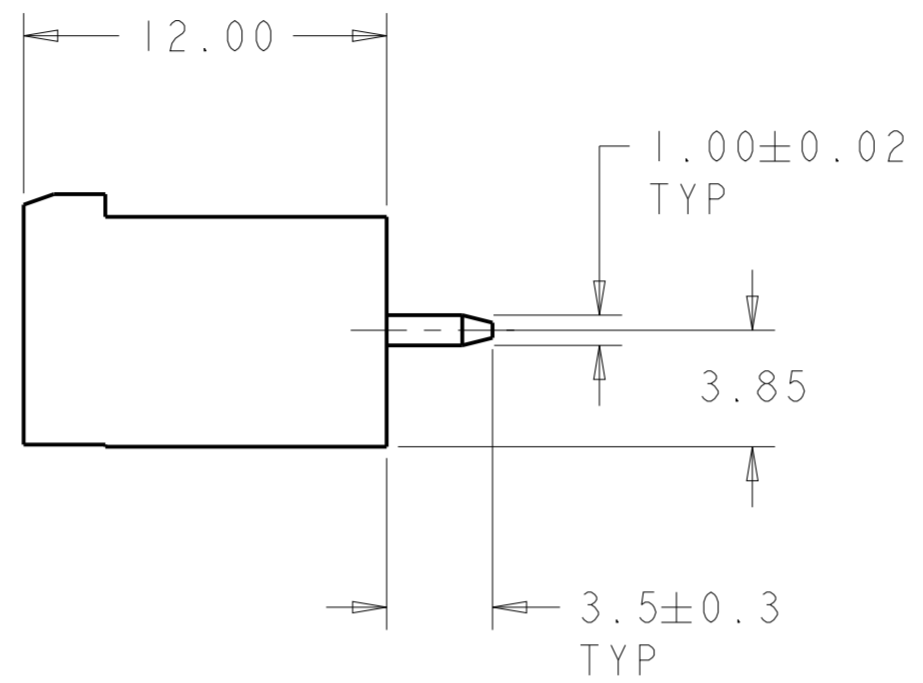
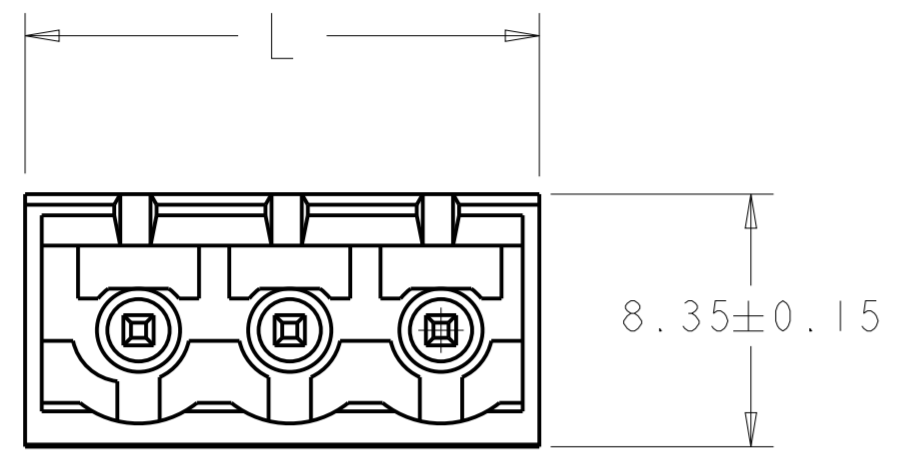
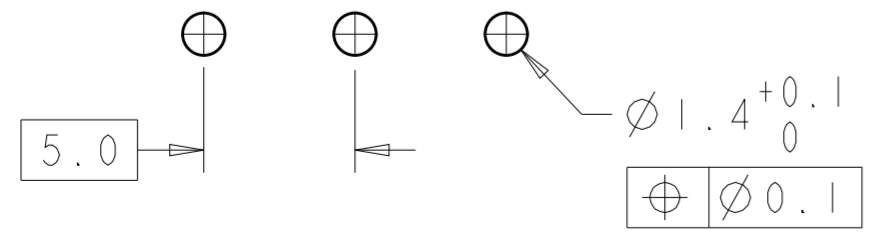


THIS DRAWING IS UNPUBLISHED. RELEASED FOR PUBLICATION 20
 © COPYRIGHT 20 BY - ALL RIGHTS RESERVED.

LOC		DIST		REVISIONS			
P	LTR	DESCRIPTION	DATE	DWN	APVD		
FT	0						
		C6	REVISIED PER ECO-14-015436	13OCT2014	NK MM		



796642-3 AS SHOWN



RECOMMENDED PC BOARD LAYOUT

MARKING	SPECIAL	CONTACT FINISH	DIM L	NO OF POSN	PART NUMBER	
9	8	-	TIN PLATED	17.0	3	3-796642-4
8	8	SEE DETAIL A-A	TIN PLATED	17.0	3	3-796642-3
8	8	-	AU FL	37.0	7	3-796642-2
8	8	PIN 2 REMOVED	TIN PLATED	42.0	8	3-796642-1
8	8	PIN 2 REMOVED	TIN PLATED	37.0	7	3-796642-0
8	8	PIN 2 REMOVED	TIN PLATED	32.0	6	2-796642-9
		-	GOLD PLATED	25.0	5	2-796642-8
6	6	SEE DETAIL Y		50.0	10	2-796642-7
6	6	SEE DETAIL Z		40.0	8	2-796642-6
		-		127.0	25	2-796642-5
		-		122.0	24	2-796642-4
		-		117.0	23	2-796642-3
		-		112.0	22	2-796642-2
		-		107.0	21	2-796642-1
		-		102.0	20	2-796642-0
		-		97.5	19	1-796642-9
		-		92.0	18	1-796642-8
		-		87.0	17	1-796642-7
		-		82.0	16	1-796642-6
		-		77.0	15	1-796642-5
		-		72.0	14	1-796642-4
		-		67.0	13	1-796642-3
		-		62.0	12	1-796642-2
		-		57.0	11	1-796642-1
		-		52.0	10	1-796642-0
		-		47.0	9	796642-9
		-		42.0	8	796642-8
		-		37.0	7	796642-7
		-		32.0	6	796642-6
		-		27.0	5	796642-5
		-		22.0	4	796642-4
		-		17.0	3	796642-3
		-		12.0	2	796642-2

THIS DRAWING IS A CONTROLLED DOCUMENT.

DWN: S. WELDON 19OCT2000
 CHK: D. BIEVENOUR 19OCT2000
 APVD: D. BIEVENOUR 19OCT2000

STE TE Connectivity

NAME: TERMINAL BLOCK HEADER ASSEMBLY
 180 DEGREE, CLOSED ENDS,
 5.00mm PITCH

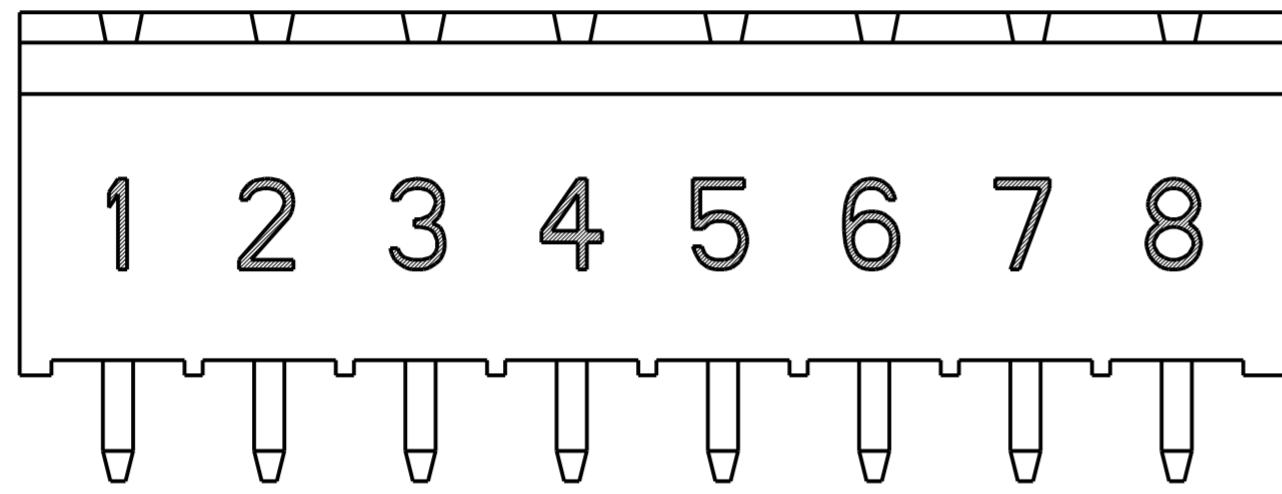
SIZE: A2 CAGE CODE: 00779 DRAWING NO: C-796642

MATERIAL: 1 TOLERANCES UNLESS OTHERWISE SPECIFIED:
 0 PLC ±-
 1 PLC ±0.30
 2 PLC ±0.25
 3 PLC ±-
 4 PLC ±-
 ANGLES ±-
 FINISH 1

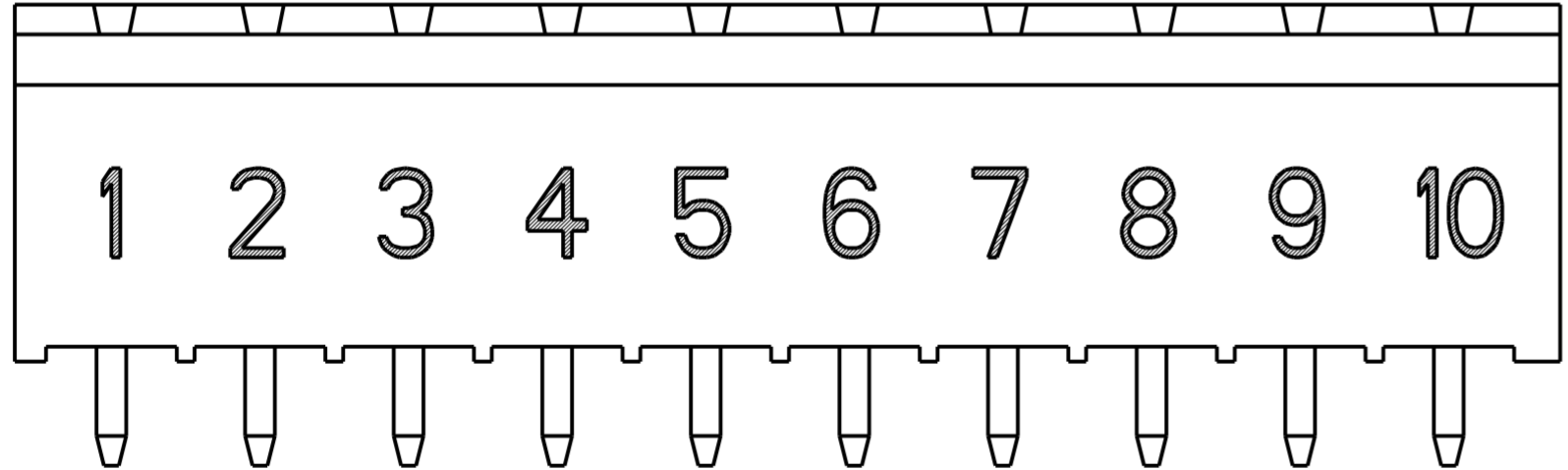
CUSTOMER DRAWING SCALE: 4:1 SHEET 1 OF 2 REV C6

THIS DRAWING IS UNPUBLISHED. RELEASED FOR PUBLICATION 20
 © COPYRIGHT 20 BY - ALL RIGHTS RESERVED.

LOC	DIST	REVISIONS					
FT	0	P	LTR	DESCRIPTION	DATE	DWN	APVD
		-		SEE SHEET 1			

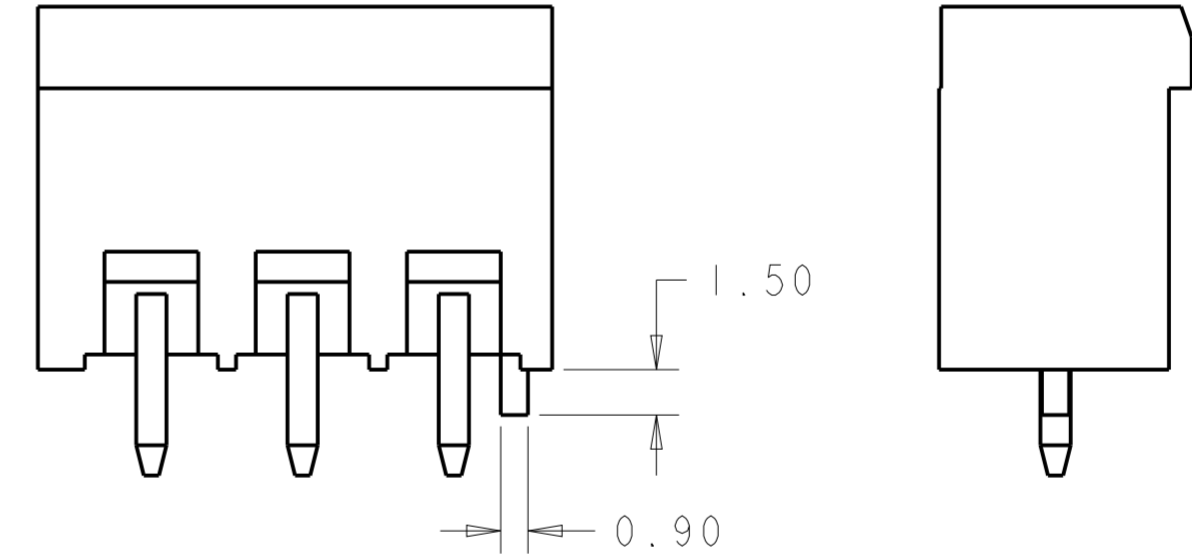


DETAIL Z

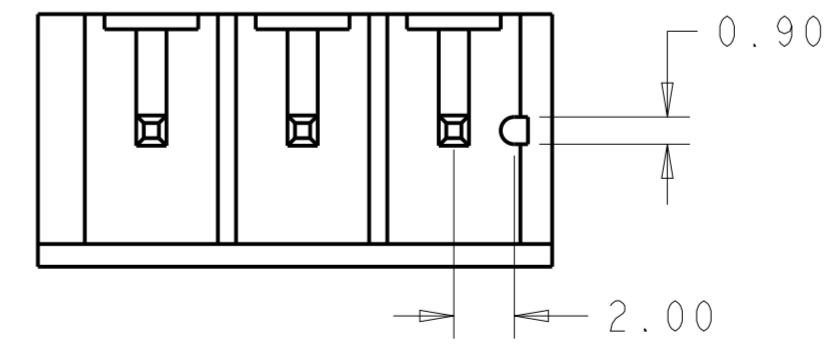


DETAIL Y

- ① MATERIALS AND FINISH:
HOUSING: PA 6-6, UL 94-V0, COLOR: GREEN.
TERMINAL: COPPER ALLOY, SEE TABLE.
- 2 SUITABLE FOR 1,6-2, 4mm PC BOARD THICKNESS.
- 3 RECOGNIZED UNDER THE COMPONENT PROGRAM OF UNDERWRITERS LABORATORIES INC. FILE N° E60677.
- 4 1M0 CERTIFICATE WITH SURVEILLANCE IN CONFORMITY WITH IEC 998-1/998-2-1.)
- ⑤ NOT CUMULATIVE TOLERANCE
- ⑥ INK MARKED WHITE.
NUMERICAL SEQUENCE FROM LEFT TO RIGHT.
- 7 BUCHANAN LOGO TO APPEAR ON HOUSING, LOCATION OPTIONAL WHERE SPACE PERMITS.
- ⑧ PRELIMINARY PART NUMBER.
- ⑨ HOUSING: PA 6-6, UL 94-V0, COLOR: YELLOW



DETAIL A-A



THIS DRAWING IS A CONTROLLED DOCUMENT.		DWN S. WELDON 19OCT2000	STE TE Connectivity	
DIMENSIONS: mm		CHK D. BIEVENOUR 19OCT2000		
TOLERANCES UNLESS OTHERWISE SPECIFIED:		APVD D. BIEVENOUR 19OCT2000	NAME TERMINAL BLOCK HEADER ASSEMBLY 180 DEGREE, CLOSED ENDS, 5.00mm PITCH	
0 PLC ±		PRODUCT SPEC -	SIZE CAGE CODE DRAWING NO RESTRICTED TO	
1 PLC ±0.30		APPLICATION SPEC -	A200779 C-796642	
2 PLC ±0.25		WEIGHT -	SCALE 4:1 SHEET 2 OF 2 REV C6	
3 PLC ±		CUSTOMER DRAWING		
4 PLC ±				
ANGLES ±				
FINISH				