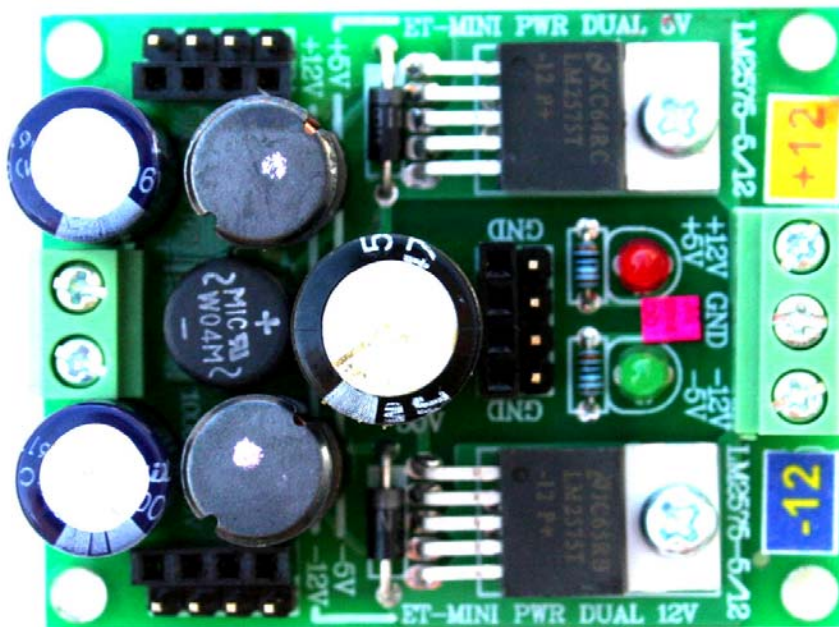


MR-MINI-DUALPWR12™ Mini +/- 12V Power Supply Board
User Manual

GRAVITECH.US



uResearch

GRAVITECH GROUP

Copyright © 2007 MicroResearch
GRAVITECH GROUP WWW.GRAVITECH.US

MR-MINI-DUALPWR12™ Mini +/- 12V Power Supply Board User Manual

Description

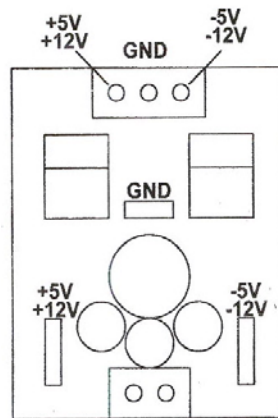
The MR-MINI-DUALPWR12 is a -12V and +12V power supply. It accepts wide range of input voltage (15-24VDC). Input power can easily connect via 2 pins terminal block. The output can supply current up to 1A for both positive and negative voltage. LEDs indicate when the supplies are turn on. PCB size is 2.20" x 1.70"

Specifications:

- 15-24VDC input supply
- +12.0 and -12.0VDC output
- Power-on LEDs indicator
- Four mounting holes on each corner
- Small and compact in size
- Easy interface terminal blocks



MR-MINI-DUALPWR12™ Mini +/- 12V Power Supply Board User Manual



15-24VDC USE DAUL 12V
7-24VDC USE DAUL 5V

FIG 1: MR-MINI-DUALPWR5 Board Layout

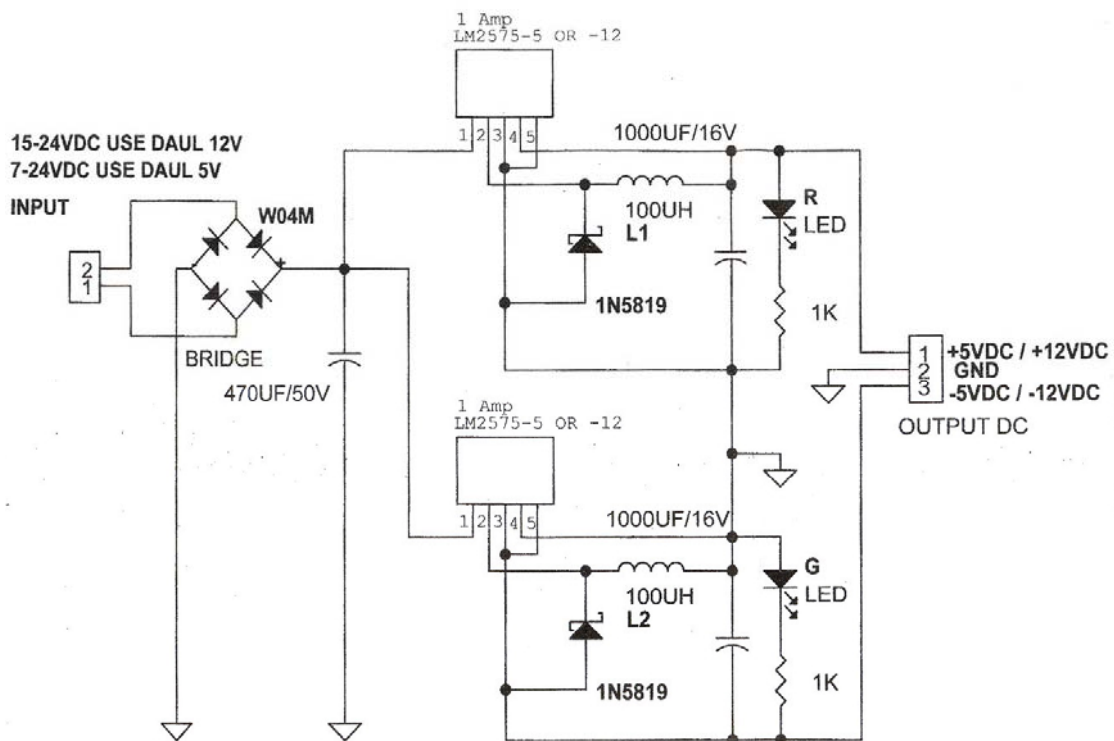


FIG 2: MR-MINI-DUALPWR5 Schematic

MR-MINI-DUALPWR12™ Mini +/- 12V Power Supply Board User Manual

Notes

Contact Us

We maintain a website where you can get information on our products, obtain literature and download support files. Visit us online at:

WWW.GRAVITECH.US

Use our online Forum or e-mail your technical support questions to support@gravitech.us. We try to respond to your questions the same day.

For sales questions or to place and order, direct your e-mails to sales@gravitech.us. Refer to our website for product pricing, shipping rates, payment instructions, and for other info we need to complete your order.

Disclaimer: MicroResearch reserves the right to modify its products or literature, or to discontinue any product at any time without prior notice. The customer is responsible for determining the suitability of any device for any application developed using MicroResearch components.

Copyright © 2007 MicroResearch
GRAVITECH GROUP WWW.GRAVITECH.US