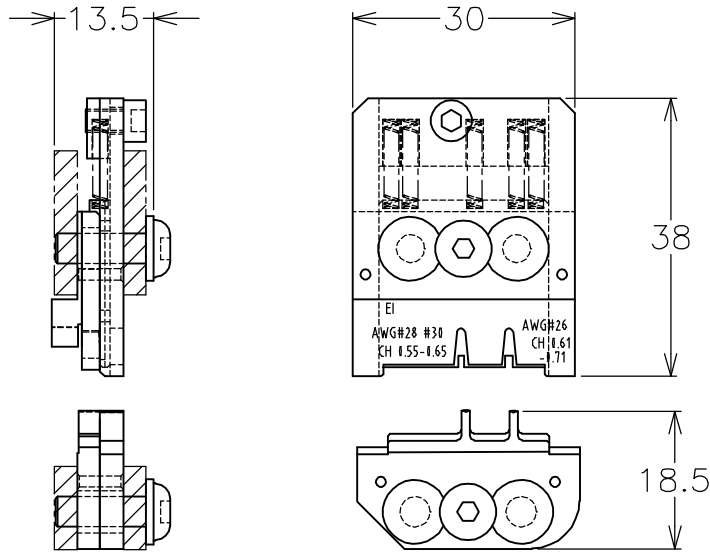


LOC J	DIST —	REVISIONS 変更			DATE	DWN	APVD
		P	LTR	DESCRIPTION			
			A	RELEASED	3MAR06	S.N	S.Y

-1: AS SHOWN



THIS DRAWING IS UNPUBLISHED.

ALL RIGHTS RESERVED.

BY TYCO ELECTRONICS CORPORATION.

THIS DRAWING IS UNPUBLISHED.

ALL RIGHTS RESERVED.

BY TYCO ELECTRONICS CORPORATION.

TERMINAL No.	WIRE SIZE AWG#	INS. RANGE (mm)	WIRE CRIMP HEIGHT (mm)	IS. No.
170205-1	#28,#30	1.0-1.2	0.55-0.65	411-
	#26	1.4 以下	0.61-0.71	78222

DIMENSIONS: 単位: 耗 mm	DWN S.NAKA	3.MAR.2006	MATERIAL 材料	—	FINISH 仕上	—	
	CHK S.NAKA	3.MAR.2006	Tyco Electronics AMP K.K. Kawasaki, Japan				
TOLERANCES UNLESS OTHERWISE SPECIFIED: 一般公差	APVD S.YABE	3.MAR.2006					
	PRODUCT SPEC 製品規格	—		NAME 名称	DIE ASSY		
0 PLC ± - 1 PLC ± - 2 PLC ± - 3 PLC ± - 4 PLC ± - ANGLES ± -	APPLICATION SPEC 取付適用規格	114-5035		SIZE	CAGE CODE	DRAWING NO 番号	RESTRICTED TO
	WEIGHT	70 g		A4	00779	① 1891360	—
	CUSTOMER DRAWING			SCALE 尺度	1:1	SHEET	1 OF 1