

NOTES:

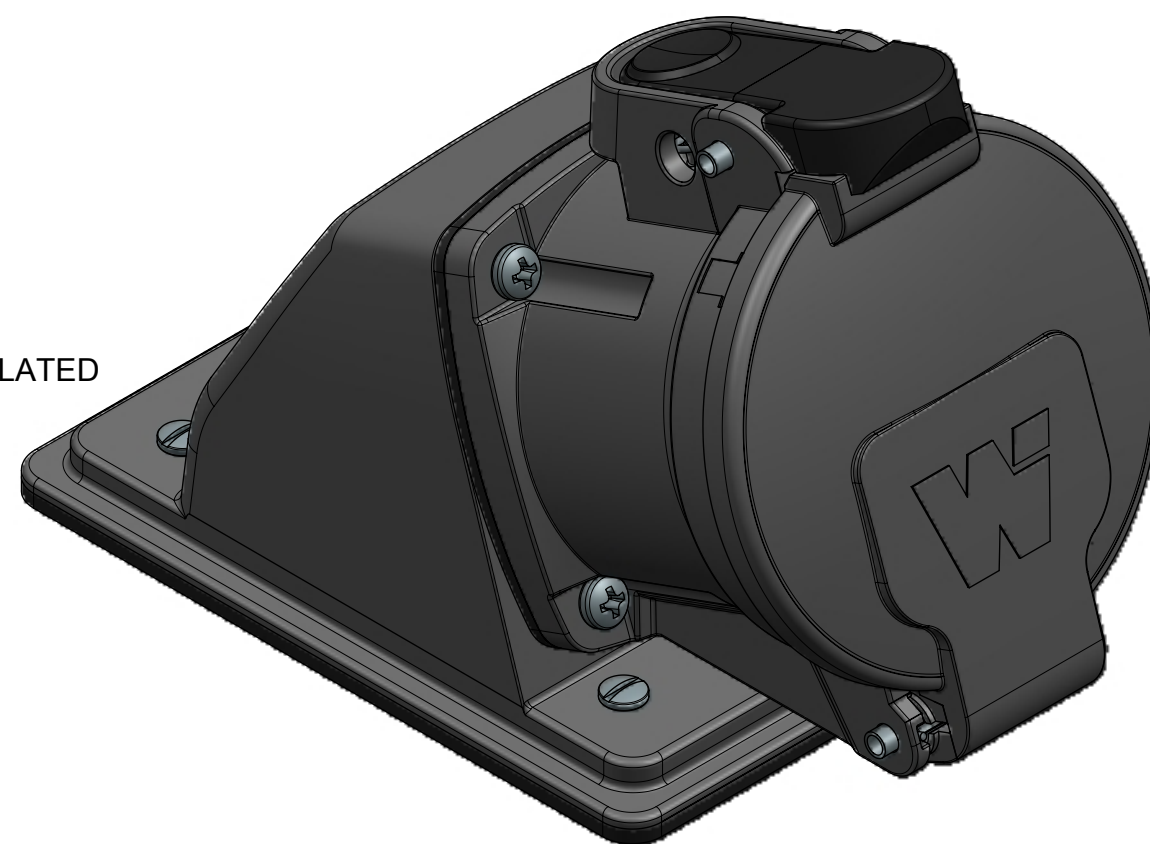
MATERIALS:

ANGLE, HOUSINGS AND INSULATORS: GLASS FILLED PBT
 CONTACTS: COPPER ALLOY WITH A SILVER NICKEL TIP, SILVER PLATED
 MOUNTING AND INTERFACE GASKETS: SILICONE
 SELF TAPPING SCREWS (PHILLIPS) - STAINLESS STEEL
 ANGLE MOUNTING SCREWS (SLOTTED) - STAINLESS STEEL
 ANGLE GASKET - EPDM

RATINGS:

CURRENT: 30 AMPS
 VOLTAGE AND HORSEPOWER: SEE TABLE
 OPERATING TEMPERATURE: -25°C (-13°F) TO 60°C (140°F)
 ENVIRONMENTAL: TYPE 4X, IP69K
 WIRING CAPACITY: 12 AWG MIN. TO 8 AWG MAX.
 TORQUE TERMINAL SCREWS TO 1.7 N-M (15 in/lbs)
 AGENCY: UL LISTING PENDING
 SWITCH RATED RECEPTACLE/CONNECTOR
 BRANCH CIRCUIT DISCONNECT SWITCH
 MOTOR CIRCUIT DISCONNECT SWITCH IF HP RATED

CONNECTOR AND HANDLE ARE PACKAGED AS SUB-ASSEMBLIES AND WILL REQUIRE END USER ASSEMBLY.



ARC30FAE03 SHOWN

MATERIAL NUMBER	ENGINEERING NUMBER	DESCRIPTION	INSULATOR KEYING POSITION	HORSEPOWER RATING
1122190043	ARC30FAA01	ARC 30A FA 125VAC 1P+N+G	7	1 HP
1122190044	ARC30FAB02	ARC 30A FA 250VAC 2P+G		3 HP
1122190045	ARC30FAB03	ARC 30A FA 250VAC 3P+G		5 HP
1122190046	ARC30FAAB04	ARC 30A FA 125/250VAC 2P+N+G	16	NA
1122190047	ARC30FAC02	ARC 30A FA 208VAC 2P+G		NA
1122190048	ARC30FAC03	ARC 30A FA 208VAC 3P+G		5 HP
1122190049	ARC30FAAC05	ARC 30A FA 120/208VAC 3P+N+G	4	NA
1122190050	ARC30FAD01	ARC 30A FA 277VAC 1P+N+G		NA
1122190051	ARC30FAE02	ARC 30A FA 480VAC 2P+G		10 HP
1122190052	ARC30FAE03	ARC 30A FA 480VAC 3P+G	14	NA
1122190053	ARC30FADE05	ARC 30A FA 277/480VAC 3P+N+G		NA
1122190054	ARC30FAF02	ARC 30A FA 600VAC 2P+G		NA
1122190055	ARC30FAF03	ARC 30A FA 600VAC 3P+G	NA	NA
1122190056	ARC30FAGF05	ARC 30A FA 347/600VAC 3P+N+G		NA

THIS DRAWING CONTAINS INFORMATION THAT IS PROPRIETARY TO MOLEX ELECTRONIC TECHNOLOGIES, LLC AND SHOULD NOT BE USED WITHOUT WRITTEN PERMISSION									
SYMBOLS		DIMENSION UNITS		SCALE		CURRENT REV DESC: ADDED 10HP,NEW NOTES			
▽ = 0	▽ = 0	INCH		1:1		molex ARC 30A FA 480VAC 3P+G PRODUCT CUSTOMER DRAWING			
▽ = 0	▽ = 0	GENERAL TOLERANCES (UNLESS SPECIFIED)							
▽ = 0	▽ = 0		MM	INCH		EC NO: 604773 DRWN: MJANTELEZIO 2018/09/20 CHK'D: JFMURPHY 2018/11/05 APPR: JFMURPHY 2018/11/05			
▽ = 0	▽ = 0	4 PLACES	±	±		INITIAL REVISION:			
▽ = 0	▽ = 0	3 PLACES	±	±		DRWN: DRWN BY		XXXX/XX/XX	
▽ = 0	▽ = 0	2 PLACES	±	±		APPR: APPR BY		XXXX/XX/XX	
▽ = 0	▽ = 0	1 PLACE	±	±		THIRD ANGLE PROJECTION		DRAWING	SERIES
▽ = 0	▽ = 0	0 PLACES	±	±		DRAFT WHERE APPLICABLE MUST REMAIN WITHIN DIMENSIONS		C-SIZE	112219
▽ = 0	▽ = 0					MATERIAL NUMBER		CUSTOMER	
						1122190052		GENERAL MARKET	
						DOC TYPE		DOC PART	
						PSD		000	
								A2	
						SHEET NUMBER		1 OF 1	