



BM6015 ($\phi 60 \times 15^L$)



EMINEBEA.COM

General Specifications

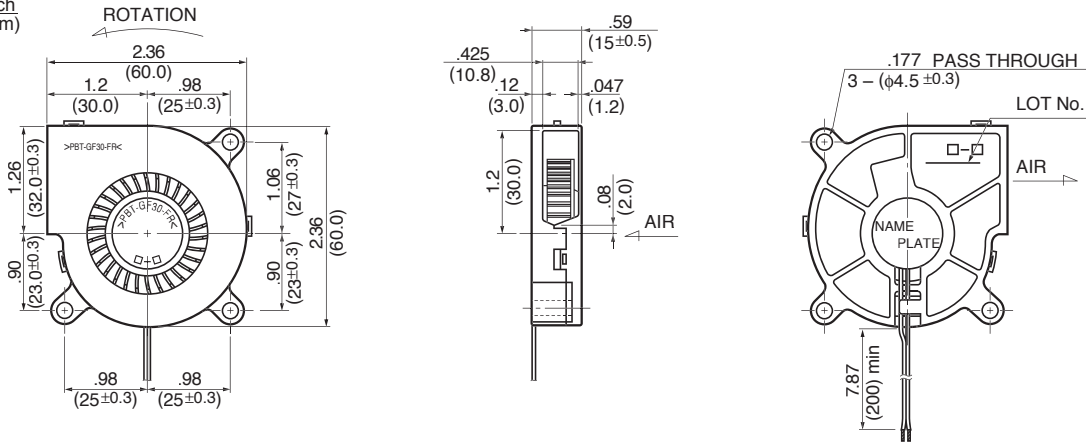
Allowable Ambient Temperature Range:
 -10°C ~ +70°C (Operating)
 -40°C ~ +70°C (Storage)
 (non-condensing environment)

Expected Life

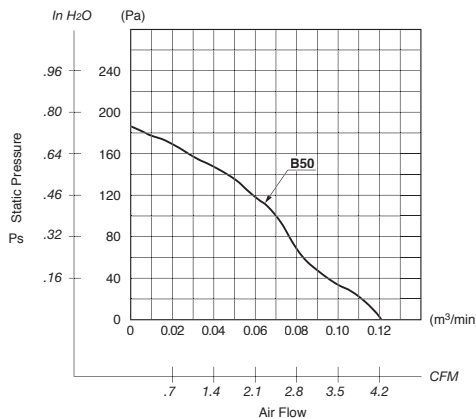
Failure Rate: 10%
 25°C 50,000 Hours (L00)
 25°C 40,000 Hours (T00)

Outline

Units: $\frac{\text{inch}}{\text{(mm)}}$



Characteristic Curves



Material

Casing : Plastic (Black) 94V-0
 Impeller : Plastic (Black) 94V-0
 Bearing : Ball Bearing
 Lead Wire : UL1007, AWG26, +Red, -Black

Specifications

MODEL	Product No.	Rated Voltage	Operating Voltage	Current	Input Power	Speed	Max. Air Flow		Max. Static Pressure		Noise	Mass
		(V)	(V)	(A) ^{*1}	(W) ^{*1}	(min ⁻¹) ^{*1}	CFM ^{*1}	(m ³ /min) ^{*1}	in H ₂ O	(Pa) ^{*1}	(dB) ^{*1}	(g)
BM6015-04W-B50-	L00	12	9 ~ 12.6	0.22	2.64	5600	4.2	0.12	.68	168.9	42.0	30

Rotation: Counterclockwise

*1: Average Values in Free Air