



# BM6015 ( $\phi 60 \times 15^L$ )



EMINEBEA.COM

DC Blowers

## General Specifications

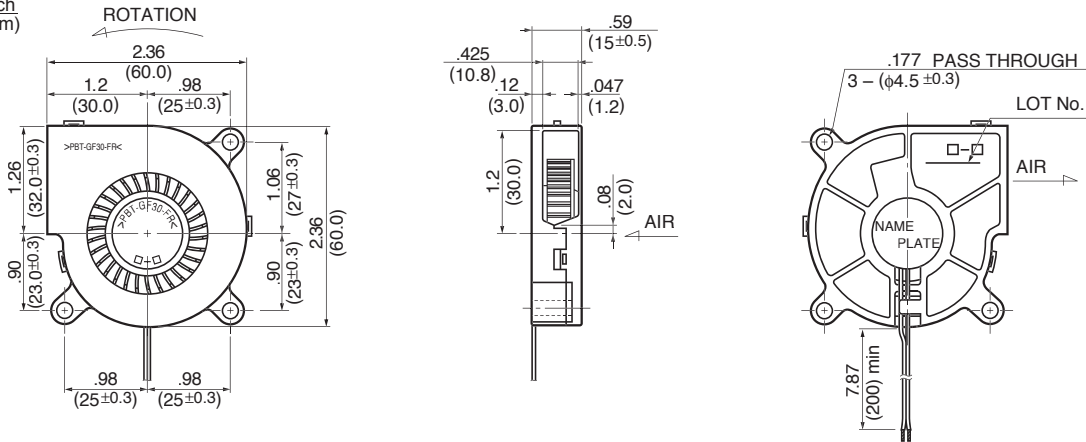
**Allowable Ambient Temperature Range:**  
 -10°C ~ +70°C (Operating)  
 -40°C ~ +70°C (Storage)  
 (non-condensing environment)

## Expected Life

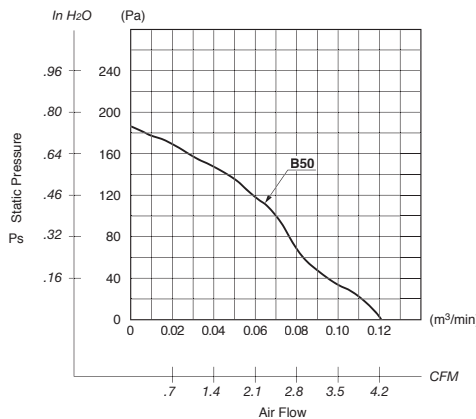
**Failure Rate: 10%**  
 25°C 50,000 Hours (L00)  
 25°C 40,000 Hours (T00)

## Outline

Units:  $\frac{\text{inch}}{\text{(mm)}}$



## Characteristic Curves



## Material

Casing : Plastic (Black) 94V-0  
 Impeller : Plastic (Black) 94V-0  
 Bearing : Ball Bearing  
 Lead Wire : UL1007, AWG26, +Red, -Black

## Specifications

MODEL	Product No.	Rated Voltage	Operating Voltage	Current	Input Power	Speed	Max. Air Flow		Max. Static Pressure		Noise	Mass
		(V)	(V)	(A)*1	(W)*1	( $\text{min}^{-1}$ )*1	CFM*1	( $\text{m}^3/\text{min}$ )*1	in H <sub>2</sub> O	(Pa)*1	(dB)*1	(g)
BM6015-04W-B50-	L00	12	9 ~ 12.6	0.22	2.64	5600	4.2	0.12	.68	168.9	42.0	30

Rotation: Counterclockwise

\*1: Average Values in Free Air