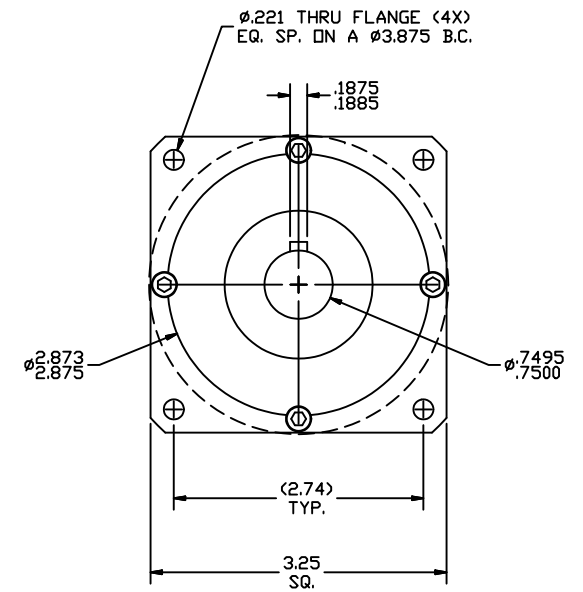
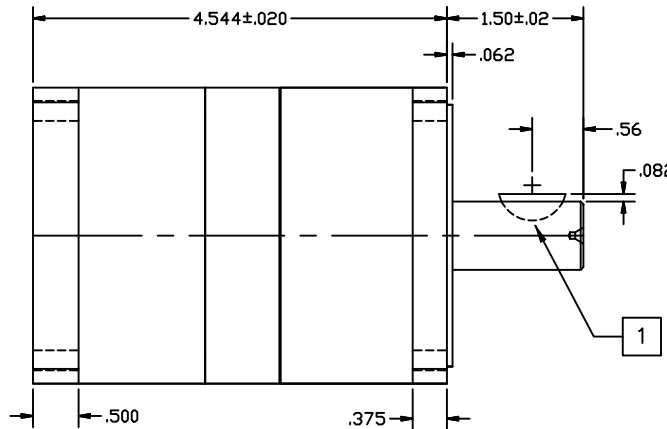
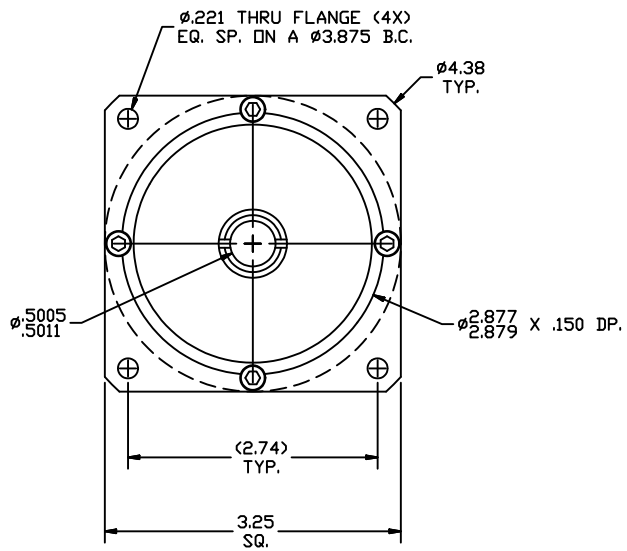


REVISIONS			
REV	DESCRIPTION	DATE	APPROVED
A	INITIAL RELEASE ECO 6709	2/22/13	J Kordik



NOTES: UNLESS OTHERWISE SPECIFIED

- 1 #606 WOODRUFF KEY.
2. 34PN005.5 RATIO- 5.5:1
3. FOR TECHNICAL DETAILS, CONTACT APPLIED MOTION PRODUCTS.

TOLERANCES	THIRD ANGLE PROJECTION	APPLIED MOTION PRODUCTS, INC.							
DECIMALS: [MM] INCH X.XXX = ± .005 X.XX = ± [0.13] .010 X.X = ± [0.25] .020 ANGLES: MACH. = ± 5° CHAM. = ± 5°		<b>OUTLINE, GEAR HEAD, PN34, 1 STAGE</b>							
	<table border="1"> <tr> <td>APPROVALS</td> <td>DATE</td> </tr> <tr> <td>DRAWN <b>R. JONEZ</b></td> <td>2/22/13</td> </tr> <tr> <td>CHECKED</td> <td></td> </tr> <tr> <td>APPROVED</td> <td></td> </tr> </table>			APPROVALS	DATE	DRAWN <b>R. JONEZ</b>	2/22/13	CHECKED	
APPROVALS	DATE								
DRAWN <b>R. JONEZ</b>	2/22/13								
CHECKED									
APPROVED									
COMPUTER DATA BASE DRAWING		<table border="1"> <tr> <td>B</td> <td>DWG NO. 34PN005.5</td> <td>REV A</td> </tr> </table>	B	DWG NO. 34PN005.5	REV A	SCALE: FULL SHEET 1 OF 1			
B	DWG NO. 34PN005.5	REV A							