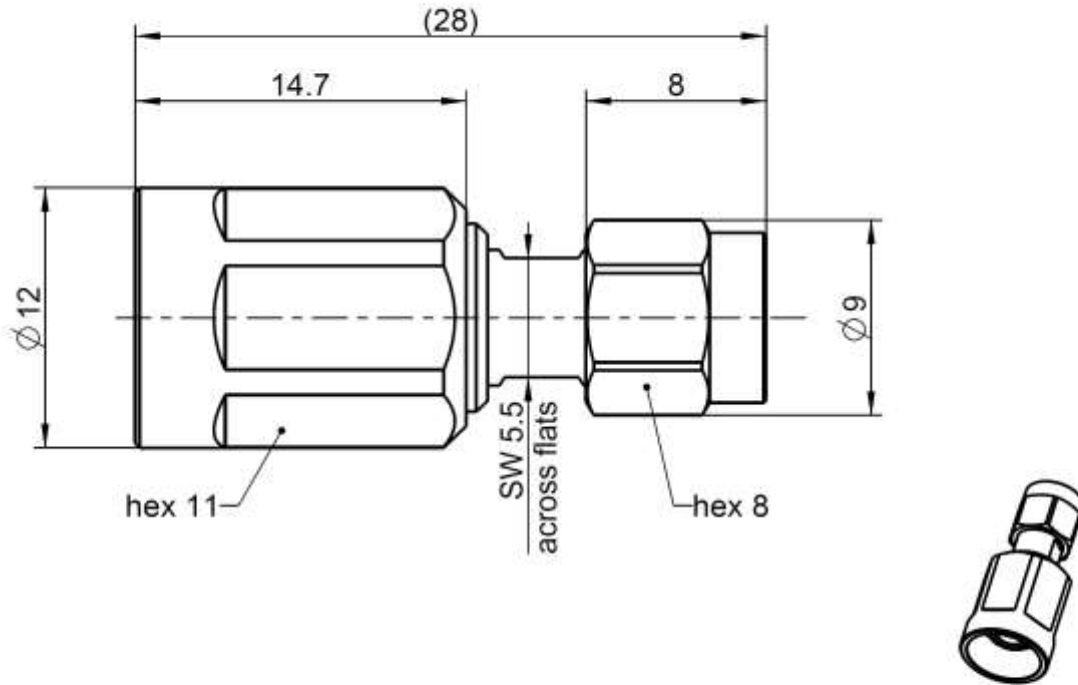


Adaptor  
NEX10 Plug – SMA Plug

**32S189-S00N1**



All dimensions are in mm; tolerances according to ISO 2768 m-H

**Interface**

According to	NEX10 side:	NEX10™
	SMA side:	IEC 60169-15, EN 122110, MIL-STD-348

**Documents**

Assembly instruction	N/A
----------------------	-----

**Material and Plating**

**Connector parts**

Center contact		<b>Material</b>	<b>Plating</b>
Outer contact	NEX10 side:	Brass	Silver, 3-6 µm
Outer contact	SMA side:	Spring bronze	Silver, 3-6 µm
Body		Brass	White bronze(e.g. Optalloy®)
Dielectric		Brass	White bronze(e.g. Optalloy®)
Gasket		PTFE	
		Silicone	

Dieses Dokument ist urheberrechtlich geschützt • This document is protected by copyright • Rosenberger Hochfrequenztechnik GmbH & Co. KG

RF\_35/05.10/6.0

**Electrical Data**

Impedance	50 Ω
Frequency	DC to 12 GHz
Return loss	≥ 30 dB @ DC to 8 GHz
Insertion loss	≤ 0.05 x √ f [GHz] dB
Insulation resistance	≥ 5 GΩ
Center contact resistance	≤ 1.5 mΩ, NEX10 side    ≤ 3 mΩ, SMA side
Outer contact resistance	≤ 1.5 mΩ, NEX10 side    ≤ 2 mΩ, SMA side
Working voltage	500 V rms
RF-leakage	≥ 100 dB @ DC to 1 GHz
Power handling (at 20 °C, sea level, VSWR 1.0)	≤ 200 W @ 2 GHz

**Mechanical Data**

	NEX10 side	SMA side
Mating cycles	≥ 100	≥ 100
Recommended torque	1.5 Nm	0.5 Nm

**Environmental Data**

Temperature range	-55 °C to +125 °C operating temperature
Thermal shock	IEC 61169-1 9.4.4
Vibration	IEC 61169-1 9.3.3 and IEC 60068-2-64
Shock	IEC 61169-1 9.3.14
Degree of protection (mated pair)	IEC 60529, IP68 24h / 1m
RoHS	compliant

**Tooling**

N/A

**Suitable Cables**

N/A

**Weight**

9.3 g/pc

While the information has been carefully compiled to the best of our knowledge, nothing is intended as representation or warranty on our part and no statement herein shall be construed as recommendation to infringe existing patents. In the effort to improve our products, we reserve the right to make changes judged to be necessary.

Draft	Date	Approved	Date	Rev.	Engineering change number	Name	Date
F. Fraunhofer	12.01.2017	F. Fraunhofer	9.10.2019	a00	19-s019	B. Wollitzer	9.10.2019
Rosenberger Hochfrequenztechnik GmbH & Co. KG P.O.Box 1260 D-84526 Tittmoning Germany <a href="http://www.rosenberger.de">www.rosenberger.de</a>						Tel. : +49 8684 18-0 Email : <a href="mailto:info@rosenberger.de">info@rosenberger.de</a>	
						Page 2 / 2	