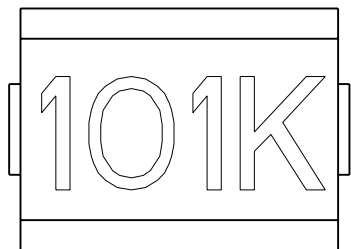
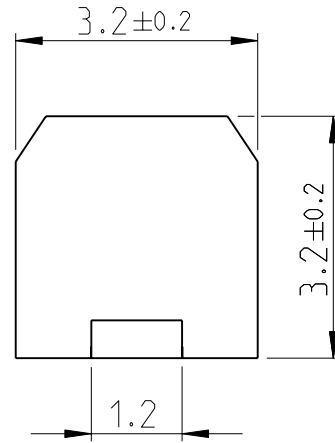
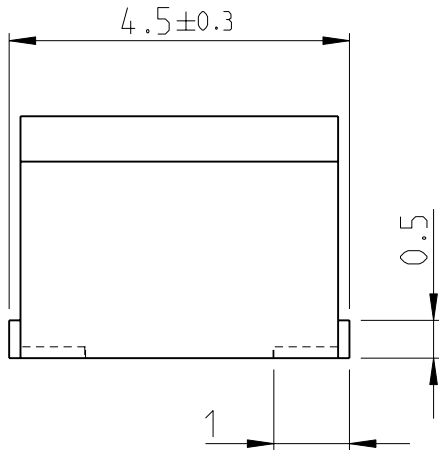
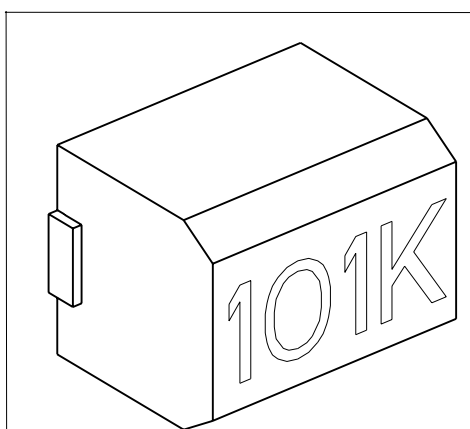


LOC	DIST	REVISIONS					
		P	LTR	DESCRIPTION	DATE	DWN	APVD
E	B		BB1	REVISED PER ECO-11-005150	29MAR2011	RK	HMR

1. FOR FURTHER INFORMATION SEE DATA SHEET FOR 3613C SERIES-MOULDED CHIP INDUCTOR 18:12
2. FROM SEPTEMBER 2010 MARKING CHANGED TO LASER CARVED BLACK FROM WHITE INK TO IMPROVE EFFICIENCY AND PRODUCTION TIME.



RoHS Compliant



2008  
 RELEASED FOR PUBLICATION  
 ALL RIGHTS RESERVED.  
 BY -  
 COPYRIGHT 2008

DIMENSIONS: mm  TOLERANCES UNLESS OTHERWISE SPECIFIED: 0 PLC ±0.2 1 PLC ±0.1 2 PLC ± 3 PLC ±- 4 PLC ±- ANGLES ±5°	DWN SUBHASH.M 13-NOV-08 CHK PRAKASH.S 13-NOV-08 APVD STEPHEN.P 13-NOV-08 PRODUCT SPEC - APPLICATION SPEC - WEIGHT -	MATERIAL - FINISH -	NAME MOULDED CHIP INDUCTOR 18:12 SERIES 3613C
	CUSTOMER DRAWING	SCALE 10:1	