

MICRO SWITCH
a Honeywell Division

FED. MFG. CODE 91929

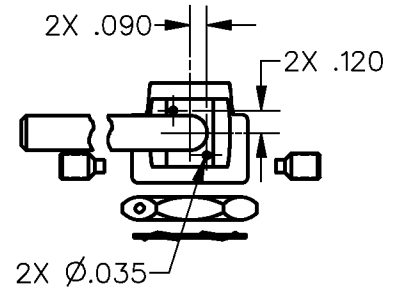
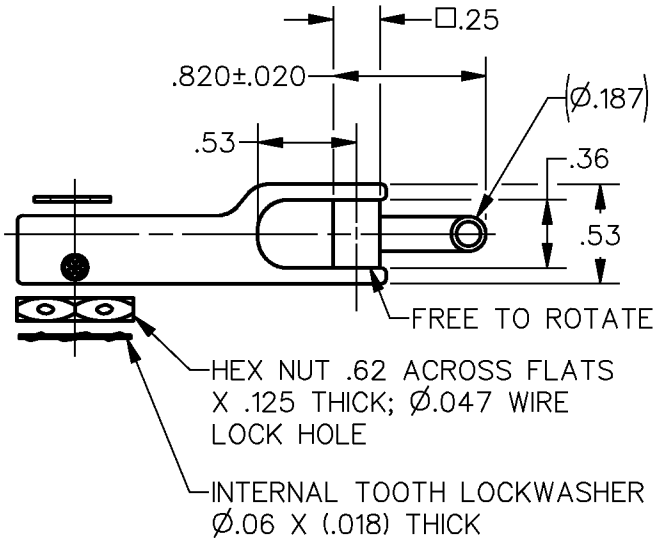
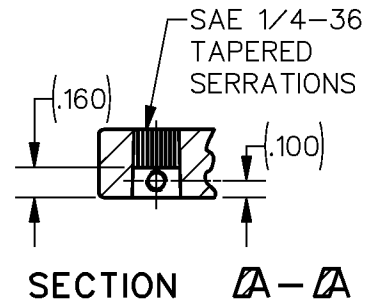
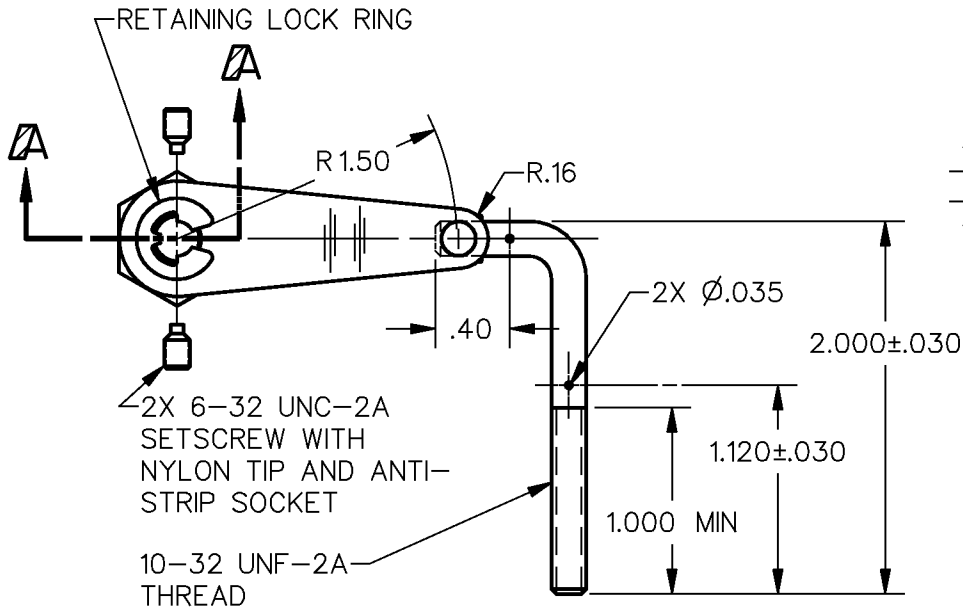
PACKET

CATALOG LISTING
6PA206-EN

THIS DRAWING COVERS A PROPRIETARY ITEM AND IS THE PROPERTY OF MICRO SWITCH, A DIVISION OF HONEYWELL. THIS DRAWING IS NOT TO BE COPIED OR USED WITHOUT THE APPROVAL OF MICRO SWITCH.

CATALOG LISTING
6PA206-EN
PAGE 1 OF 1
RELEASE NO. PR-22501
REPLACES
M
ISSUE
3

REVISIONS
A PR22501
TSM
20 NOV 96
B 0055398
KNR
07AUG09
CHECK
07AUG09
CMH
CHECK
07AUG09
CMH
T S M 20 NOV 96
DRAWN
RASTER



NOTE
1 - PARTS FURNISHED UNASSEMBLED IN BULK AS A PACKET

THIRD ANGLE PROJECTION		
SCALE	NONE	
DO NOT SCALE PRINT		
UNLESS OTHERWISE SPECIFIED TOLERANCES ARE		
ONE PLACE	(.0)	\pm .030
TWO PLACE	(.00)	\pm .015
THREE PLACE	(.000)	\pm .005
ANGLES		\pm
WEIGHT		

ANSI Y14.5M-1982 APPLIES