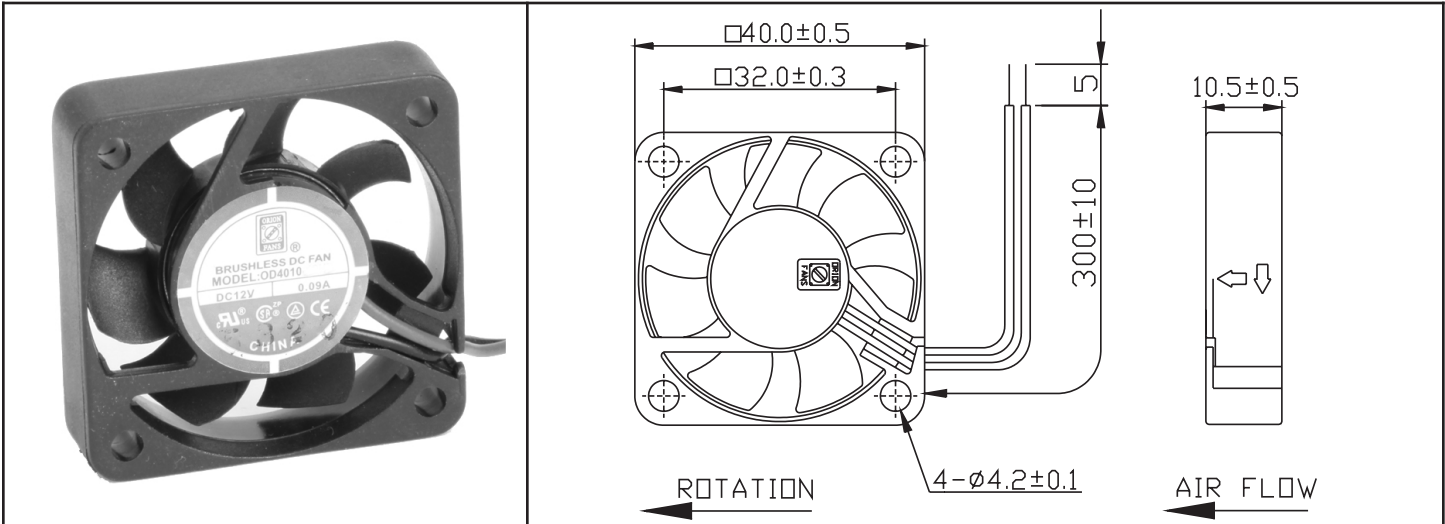


OD4010 Series



DC Fan - 5, 12, 24V
40 x 10mm (1.58" x 0.39")



| | | | |
|-----------------------|--|---|--|
| Frame & Impeller | PBT, UL94V-0 plastic | Available Options: Tachometer Alarm PWM Sleeve bearing Life Expectancy (L10) Ball - 60,000 hrs (45C) Sleeve - 30,000 hrs (45C) Operating Temperature Ball: -10C ~ 70C Weight: ~ 0.04 lbs | |
| Connection | 2x Lead wires 26AWG | | |
| Motor | Brushless DC, auto restart, impedance and polarity protected | | |
| Bearing System | Ball bearing | | |
| Insulation Resistance | 10M ohm between leadwire and frame (500VDC) | | |
| Dielectric Strength | 1 minute at 500 VAC, max leakage < 500 MicroAmp | | |
| Storage Temperature | -40C ~ +80C | | |

| Model Number | Speed (RPM) | Airflow (CFM) | Noise (dB) | Volts DC | Voltage Range (VDC) | Amps | Max. Static Pressure ("H ₂ O) |
|--------------|-------------|---------------|------------|----------|---------------------|------|--|
| OD4010-05H* | 6000 | 7 | 25 | 5 | 4 ~ 5.5 | 0.19 | 0.10 |
| OD4010-05M* | 4800 | 6 | 20 | 5 | 4 ~ 5.5 | 0.11 | 0.08 |
| OD4010-05L* | 4200 | 5 | 14 | 5 | 4 ~ 5.5 | 0.08 | 0.06 |
| OD4010-12H* | 6000 | 7 | 25 | 12 | 10.8 ~ 13.2 | 0.10 | 0.10 |
| OD4010-12M* | 4800 | 6 | 20 | 12 | 10.8 ~ 13.2 | 0.08 | 0.08 |
| OD4010-12L* | 4200 | 5 | 14 | 12 | 10.8 ~ 13.2 | 0.07 | 0.06 |
| OD4010-24H* | 6000 | 7 | 25 | 24 | 21.6 ~ 26.4 | 0.09 | 0.10 |
| OD4010-24M* | 4800 | 6 | 20 | 24 | 21.6 ~ 26.4 | 0.08 | 0.08 |
| OD4010-24L* | 4200 | 5 | 14 | 24 | 21.6 ~ 26.4 | 0.07 | 0.06 |

To indicate sleeve bearing replace "B" suffix with "S" in part number (30,000 hrs life expectancy)
 To indicate sealed sleeve bearing replace "B" with "SS" in part number (50,000 hrs life expectancy)