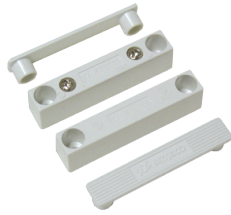


## AMS-51CV INSULATION DISPLACEMENT SURFACE MOUNT CONTACT

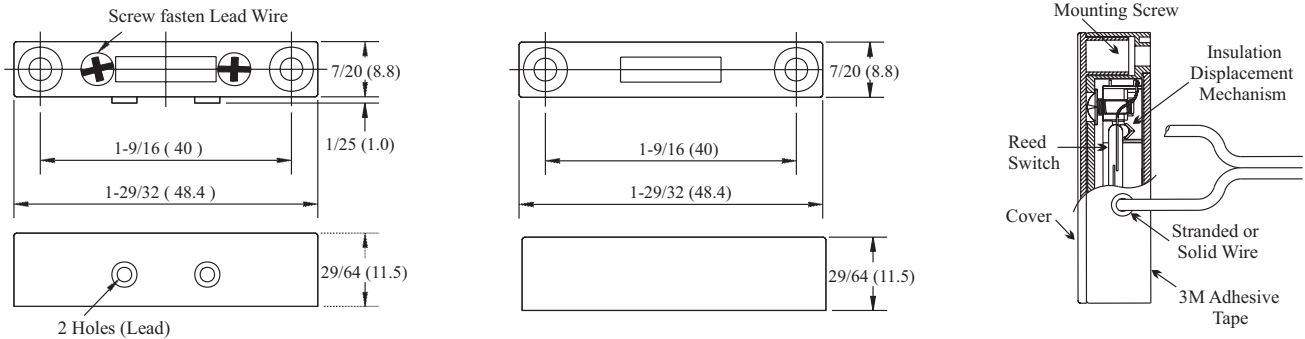


- UL Listed
- 1" operating gap
- Simple installation
- Alnico 5 magnet
- Available in white, brown, gray, or ivory

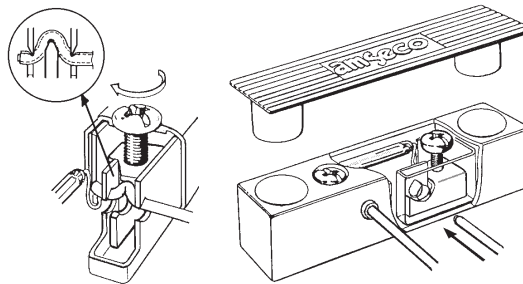
### Application

The AMS-51CV Surface Mount contact is a UL listed magnetic contact designed for quick installation using the patented insulation displacement method. Simply insert the unstripped wire and tighten the screw terminal. The AMS-51CV contact can be used to protect openings such as man doors, sliding doors, and windows.

### Dimensions



### Exclusive 5-Point Contact



### Specifications

Model	Color	Stock Number	Contact	Contact Rating	Contact Type	Max. Carry Current	Max. Switching Current	Breakdown Voltage	Operating Gap	Mounting Method	Operating Temperature Range
AMS-51CV	White	4350213	Terminal	10VA	Form A N.O.	1.0 Amp	.3 Amp	200VDC min.	1"	Screw in or self-adhesive	32°F to 120°F (0°C to 49°C)
	Brown	4350211									
	Gray	4350212									
	Ivory	4350082									