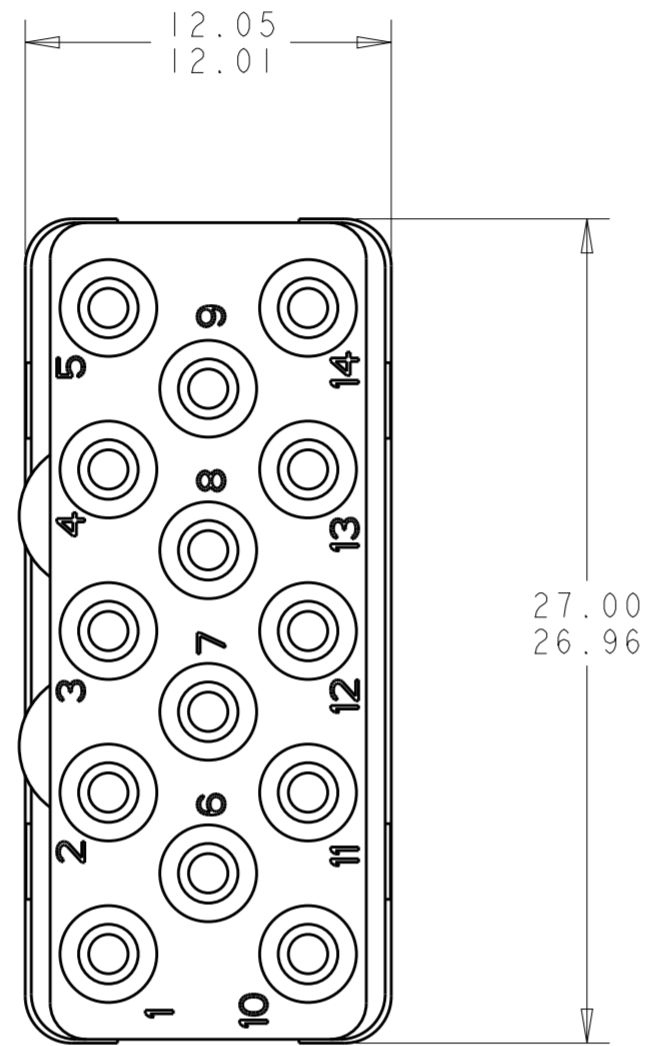
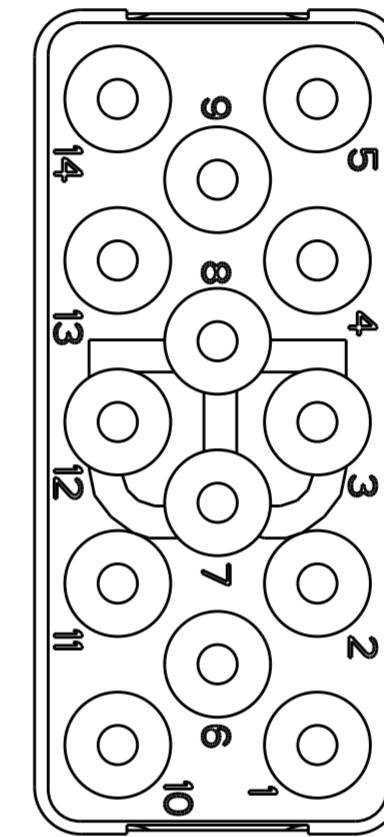
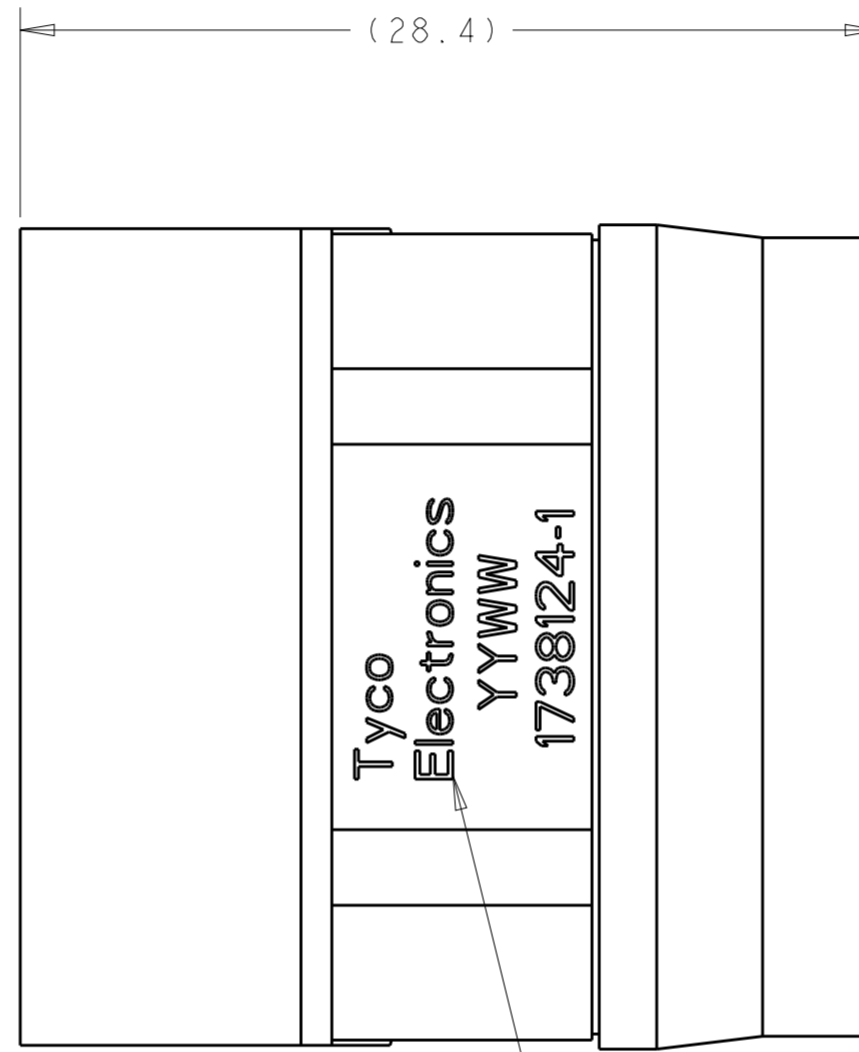


THIS DRAWING IS UNPUBLISHED. RELEASED FOR PUBLICATION 20
 © COPYRIGHT 20 BY - ALL RIGHTS RESERVED.

REVISIONS				
P	LTR	DESCRIPTION	DATE	APVD
A		RELEASED PER ECO-16-004435	15APR2016	KG EO



MATING FACE



REAR FACE

1 FRONT & REAR INSULATOR: HIGH-TEMP THERMOPLASTIC OR THERMOSET EPOXY PER ASTM D5948.
 CONTACT RETENTION CLIPS: STAINLESS STEEL PER AISI 302 OR COPPER ALLOY PER ASTM B194
 REAR GROMMET: FLUOROSILICONE ELASTOMER PER MIL-R-25988 B EXCEPT 4.6.6.1

2 DATE CODE: YEAR & WEEK (YY WW)

3. DESCRIPTIVE PART NUMBER GPRBE14SB
 THIS INSERT CONTAINS: 14 CAVITIES FOR SIZE 16 SOCKET CONTACTS.

4. THIS PRODUCT IS SOLD BY TE CONNECTIVITY UNDER A LICENSE FROM RADIALL SA.

617999252	1738124-1
RADIALL PART NUMBER	PART NUMBER

THIS DRAWING IS A CONTROLLED DOCUMENT.		DWN BH 29 JUN 2006	TE Connectivity
DIMENSIONS: mm		CHK JPM 29 JUN 2006	
TOLERANCES UNLESS OTHERWISE SPECIFIED:		APVD JPM 29 JUN 2006	
0 PLC ± 1 PLC ±0.1 2 PLC ±0.05 3 PLC ± 4 PLC ± ANGLES ±° FINISH -		PRODUCT SPEC - APPLICATION SPEC - WEIGHT -	
MATERIAL 1		NAME INSERT ASSEMBLY, SOCKET, ENVIRONMENTAL, ARRANGEMENT 14, KEY B, GPRB SIZE A2 CAGE CODE 00779 DRAWING NO C-1738124 RESTRICTED TO - CUSTOMER DRAWING SCALE 4:1 SHEET OF REV A	