



# Luminus Horticulture Starboards

Industry Leading High Powered LED Starboards

# Data Sheet

Version 1.0

## Lean & Fast

- Industry leading efficiency across the spectrum of high power color and white LEDs
- Horticulture LEDs specifically selected for the highest performance at a given color
- Light output and efficiency evaluated at elevated drive current and temperature
- Specific wavelengths targeted within the PAR range for optimized plant growth
- Create multiple spectral configurations quickly and easily

## Made Smarter


Ideal for horticulture lighting applications, the Opulent Americas starboards, built with high power white and color LED technology, deliver high efficacy across the PAR range. Specifically selected from a portfolio of color options for various stages of plant growth, including white light to achieve a similar outcome to natural sunlight. The variety of color options and easy set-up allow for flexibility, quick adjustments to support different growth phases, rapid prototyping and sampling of the latest LEDs in an easy to use footprint.

## Spectral Power Distribution



# Luminus Horticulture Starboards

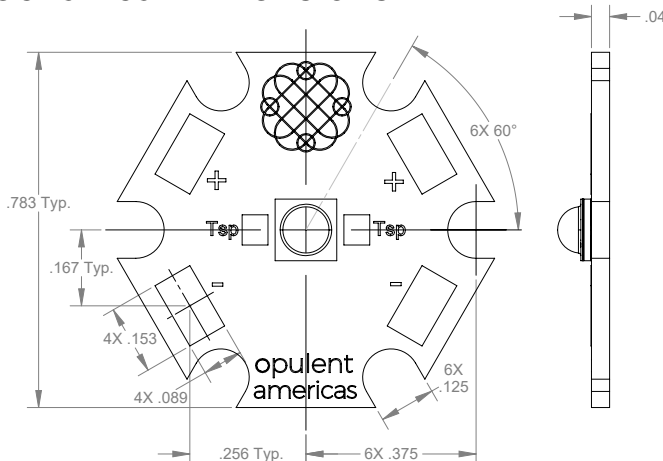
## Product Selection Guide

Color	Part Number	Description	Beam Angle	Peak Wave length	Vf	Flux (mW)	uMol/s	uMol/J
					@ 500mA, Tj 25C			
	LST1-01G01-UV01-00	Starboard, Luminus SST-10-UV-A130, 365nm	130°	365nm	3.6	875	2.69	1.49
 UV 365 to 405nm	LST1-01G01-UV02-00	Starboard, Luminus SST-10-UV-A130, 385nm	130°	385nm	3.4	1015	3.24	1.91
	LST1-01G01-UV03-00	Starboard, Luminus SST-10-UV-A130, 395nm	130°	395nm	3.4	1015	3.35	1.97
	LST1-01G01-UV04-00	Starboard, Luminus SST-10-UV-A130, 405nm	130°	405nm	3.4	930	3.14	1.85

Color	Part Number	Description	Beam Angle	Peak Wave length	Vf	Flux (mW)	uMol/s	uMol/J	uMol/s	uMol/J
					@ 350mA, Tj 25C				@700mA, Tj 85C	
 Deep Blue 450nm	LST1-01G01-RYL1-00	Starboard, Luminus SST-10-B-B130, 450nm Deep Blue	130°	450nm	3.00	600	2.26	2.15	4.01	1.83
 Green 527nm	LST1-01G01-GRN1-00	Starboard, Luminus SST-10-G-B130, 527nm Green	130°	527nm	3.40	270	1.18	0.99	2.10	0.87
 Deep Red 660nm	LST1-01G01-PRD1-00	Starboard, Luminus SST-10-DR-B130, 660nm Deep Red	130°	660nm	2.05	370	2.03	2.83	3.68	2.27
 Far Red 730nm	LST1-01G01-FRD1-00	Starboard, Luminus SST-10-FR-B130, 730nm Far Red	130°	730nm	2.10	310	1.88	2.55	3.40	2.33

All values shown above are typical.

## Mechanical Dimensions



## About Opulent Americas

Opulent Americas, part of Singapore based Opulent Group, is a fully integrated, global manufacturer for the lighting, automotive and medical industries. Through 30 years of manufacturing experience and state-of-the-art facilities, the company offers leading solid state lighting components and modules. The NC-based office provides quick engineering & sales support with an R&D lab to provide prototype development and custom solutions. See [Opulent-Americas.com](http://Opulent-Americas.com) for more information.



### WARNING

#### UV LIGHT

Do not look into the light emitting from these LEDs as it is harmful to the human eye. Eye injury may result. Use skin and eye protection as necessary.

