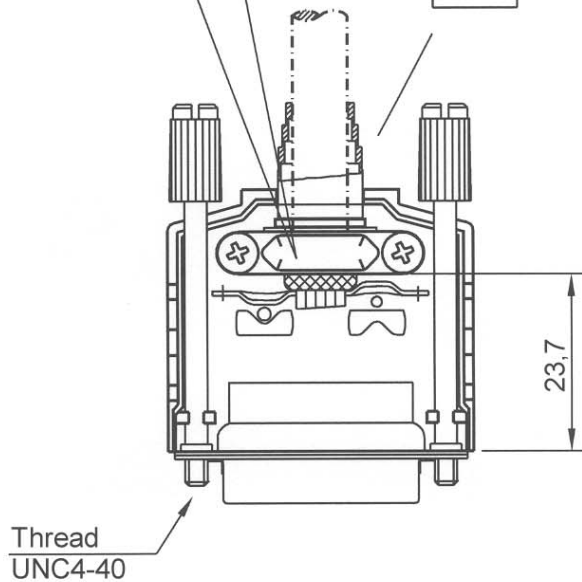
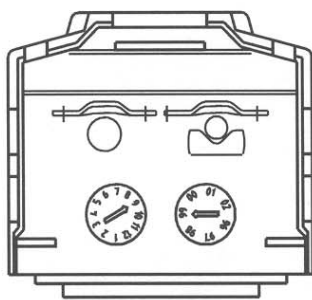
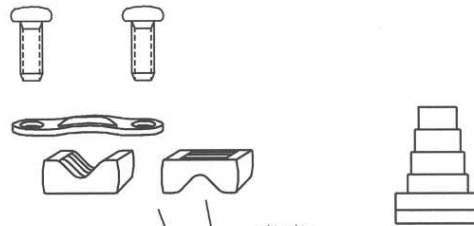
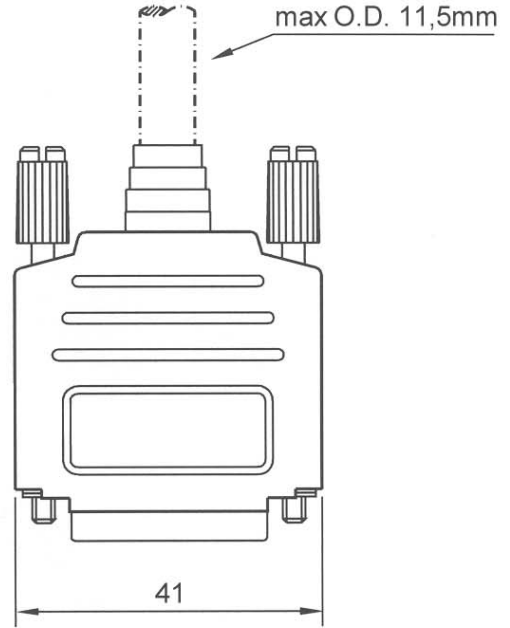
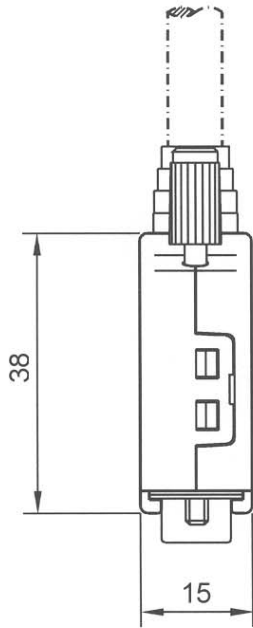



No.	Changes and/or Note No.	Date	Intr.	No.	Changes and/or Note No.	Date	Intr.



Single Pack:	L17DPPK15TMU
Bulk Pack:	L17DPPK15TM

DATE 000218	DRAWN GMN	SCALE 1:1	MATERIAL TYPE	
	APPROVED		REPLACES	
METALIZED PLASTIC HOOD				 DRAWING No 6688-9506