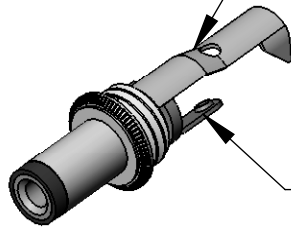
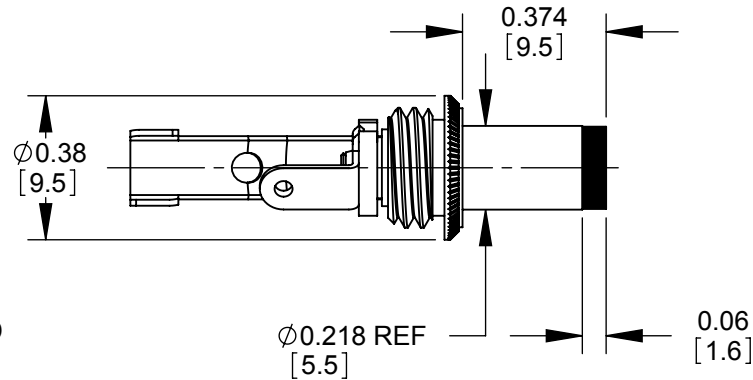
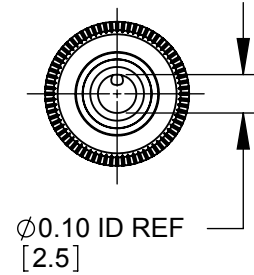
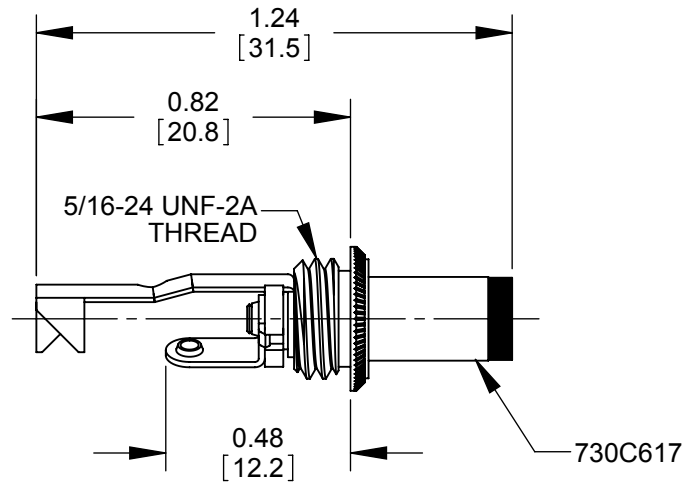


SLEEVE TERMINAL
CABLE CLAMP



TIP TERMINAL



NOTES:

1. MATERIALS:
CONDUCTORS - COPPER ALLOY, NICKEL PLATED
TERMINALS - COPPER ALLOY, TIN PLATED
INSULATORS - THERMOPLASTIC

2. THIS PRODUCT IS RoHS COMPLIANT

CUSTOMER DRAWING

					THIS DRAWING DESCRIBES A DESIGN CONSIDERED PROPRIETARY IN NATURE, DEVELOPED AND MANUFACTURED BY SWITCHCRAFT INC. AND IS RELEASED ON A CONFIDENTIAL BASIS FOR IDENTIFICATION PURPOSES ONLY.						
					SIZE	WIDTH	MULT	LBS/M	TEMPER		
					FINISH			MATERIAL			
					SPEC No.			SPEC No.			
					FIRST USED ON		SCALE 2:1				
D	CAD REDRAW 26679	01-07-11	JEB	TJK	DATE DRAWN 12-17-01	BY JL	CHKD EB 12-17-07	APVD EB 12-17-07			
REV	ECO NUMBER	DATE	BY	APVD	NAME Ø0.10 [2.5]mm 0.374 LONG POWER PLUG, RoHS					SHEET 1 OF 1	
REVISIONS					DO NOT SCALE DRAWING					PART No. 2P1515	REV D

SolidWorks CAD File



Mouser Electronics

Authorized Distributor

Click to View Pricing, Inventory, Delivery & Lifecycle Information:

[Switchcraft:](#)

[2P1515](#)