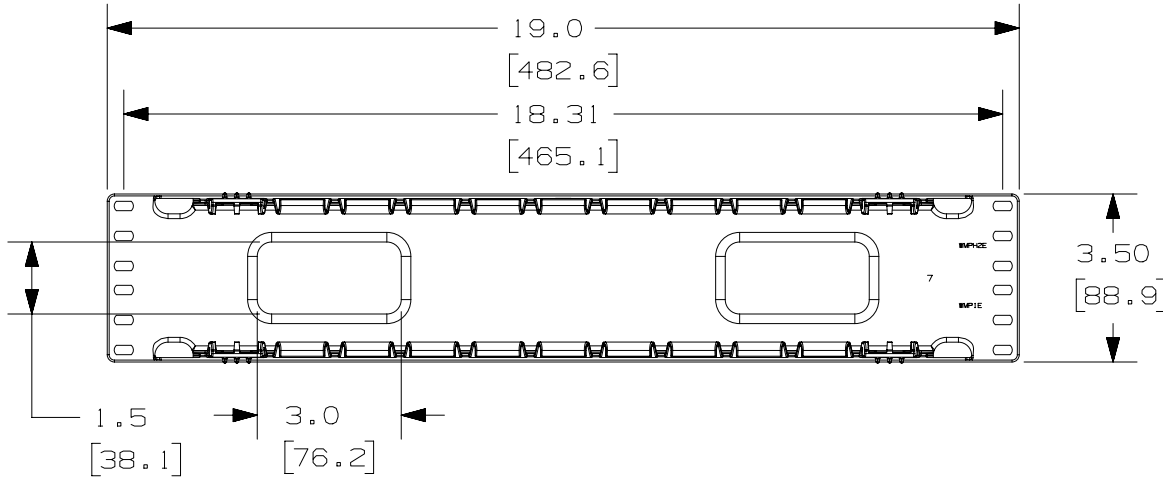


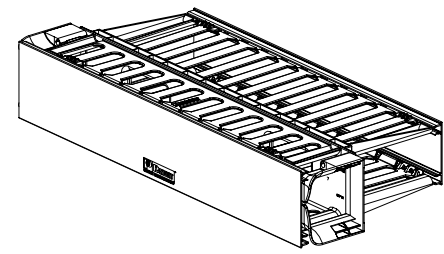
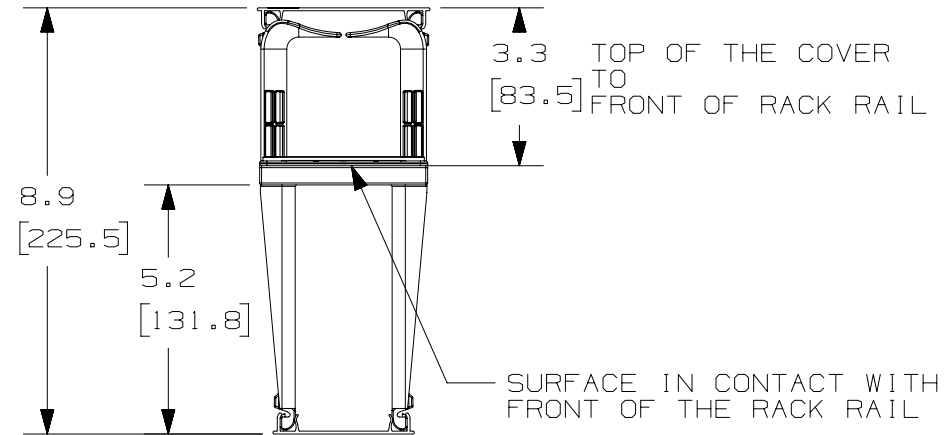
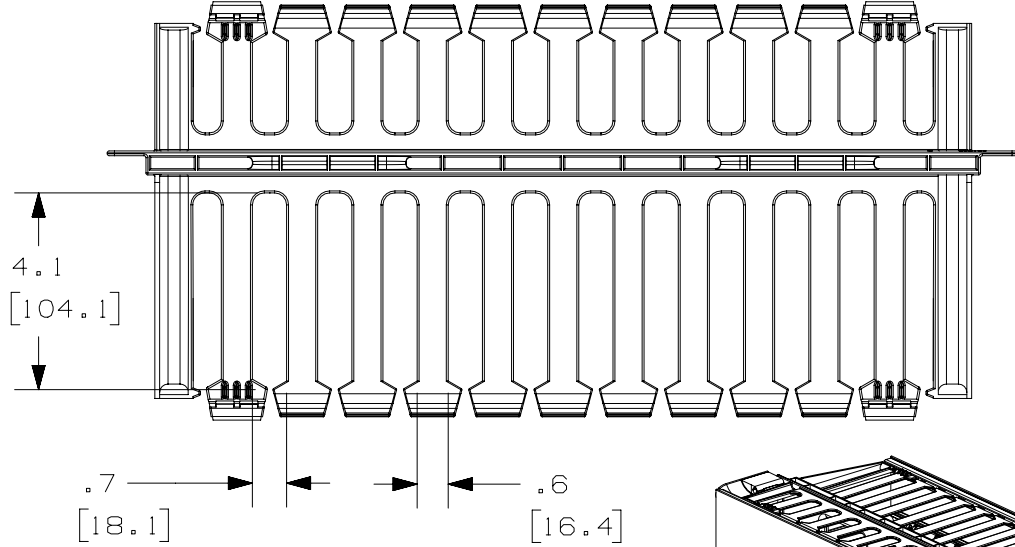
THIS COPY IS PROVIDED ON A RESTRICTED BASIS AND IS NOT TO BE USED IN ANY WAY DETRIMENTAL TO THE INTERESTS OF PANDUIT CORP.



PANDUIT P/N	WEIGHT
WMPH2E	2.6 LBS/EACH 1179 g/EACH

NOTES:

- DESIGNED FOR MOUNTING ON 19" EIA RACKS.
- COMPONENTS:
  - 1- MANAGER
  - 1- 17" REAR DUAL HINGED COVER
  - 1- 19.375" FRONT DUAL HINGED COVER
  - 4- #12-24 x 2" SCREWS
  - 2- BEND RADIUS CLIPS
- DIMENSIONS IN PARENTHESES ARE METRIC.



TITLE		WMPH2E HORIZONTAL MANAGER	
CUSTOMER DRAWING			
ITEM REVISION NAME	V10101WH/08	<b>PANDUIT</b>	MATERIAL:  ABS
DATASET FILE NAME	V10101WH_DC/08A		
UNLESS OTHERWISE SPECIFIED, DIMENSIONAL TOLERANCES ARE: IN (mm)		DRAWING NUMBER: 10101-23	
.X ±	.XXX ±	THIRD ANGLE PROJECTION	
.XX ±	ANGLES ±		
DRAWN BY	DATE	CHK	SCALE
JDWE	12-17-02	MECA	NONE
DESCRIPTION		SHT 1 OF 1	
REV	DATE	BY	APR
08A	3-26-15	TWV	MACA
07D	4-22-13	BAME	RYB
DESCRIPTION		ECN	
BOM ADJUSTMENT; REVISED NOTES.		10101-23	
REVISED AND REDRAWN; ALL PREVIOUS REVS OMITTED REVISED TITLE BLOCK		10101-23	

D10100DA/15