

6

5

4

3

2

1

E

E

D

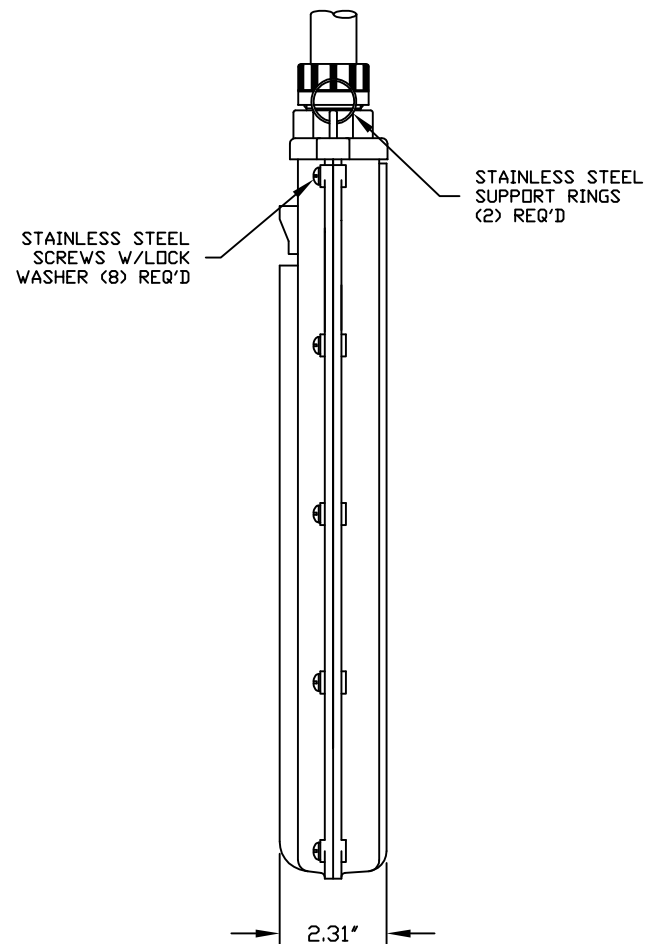
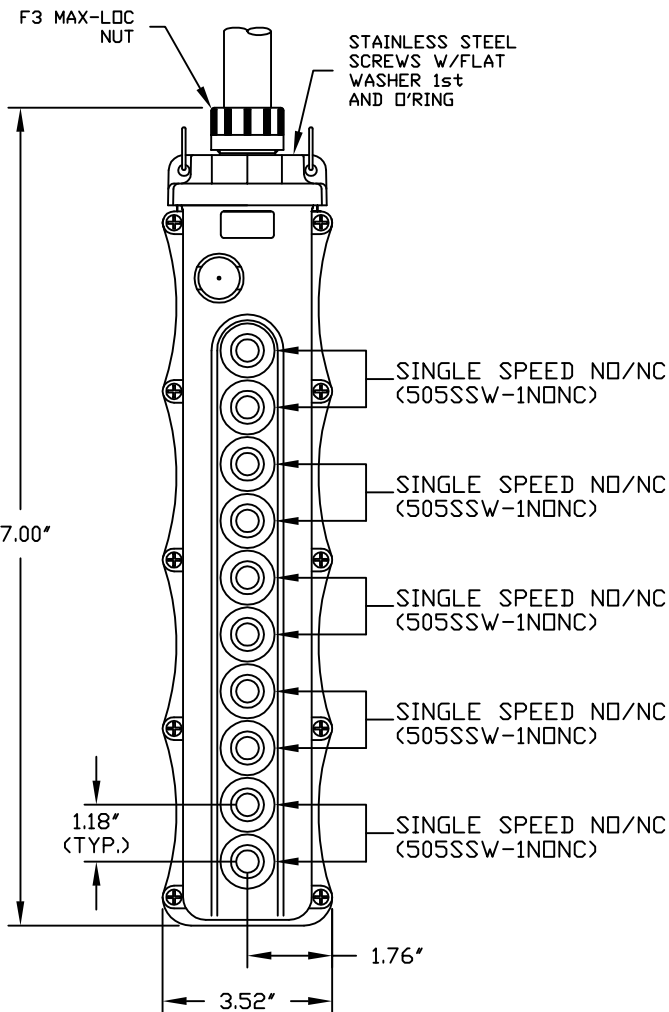
D

C

C

B

B



NOTES:  
 1. INSTALLATION INSTRUCTIONS, BUTTON ID. LABELS. ARE PACK WITH THE PART.  
 2. ALL BUTTONS ARE HIGH AMBIENT, CHEMICALLY RESISTANT MATERIAL - COLOR BLACK

RELEASE DRAWING  
 EC NO: WNA2009-0393  
 DRWN: TVICKERS 2008/12/15  
 CHKD: HK 2008/12/16  
 APPR: DTTIUS 2009/01/05  
 REV DESCRIPTION

QUALITY SYMBOLS  
 ▽=0  
 ▽/C=0

GENERAL TOLERANCES (UNLESS SPECIFIED)	
	mm INCH
4 PLACES	±.005 ±.002
3 PLACES	±.005 ±.010
2 PLACES	±.005 ±.015
1 PLACE	±.005 ±.020
ANGULAR ±5°	
DRAFT WHERE APPLICABLE MUST REMAIN WITHIN DIMENSIONS	

DIMENSION STYLE	
INCH	
DRAWN BY	DATE
TV	2008/12/16
CHECKED BY	DATE
HK	2008/12/16
APPROVED BY	DATE
DT	2008/12/16
MATERIAL NO.	1301260302
SIZE	A

SCALE	DESIGN UNITS	THIRD ANGLE PROJECTION
NTS	INCH	☉
TITLE		
5060-1M W/(5) 505SW-1N0NC		
MOLEX INCORPORATED		
DOCUMENT NO.	SHEET NO.	
SD-130126-019	1 OF 1	
THIS DRAWING CONTAINS INFORMATION THAT IS PROPRIETARY TO MOLEX INCORPORATED AND SHOULD NOT BE USED WITHOUT WRITTEN PERMISSION		

6

5

4

3

2

1

A

A