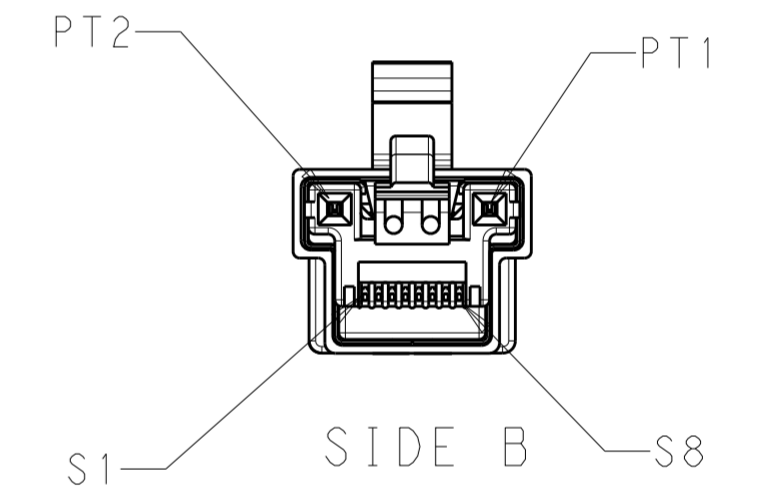
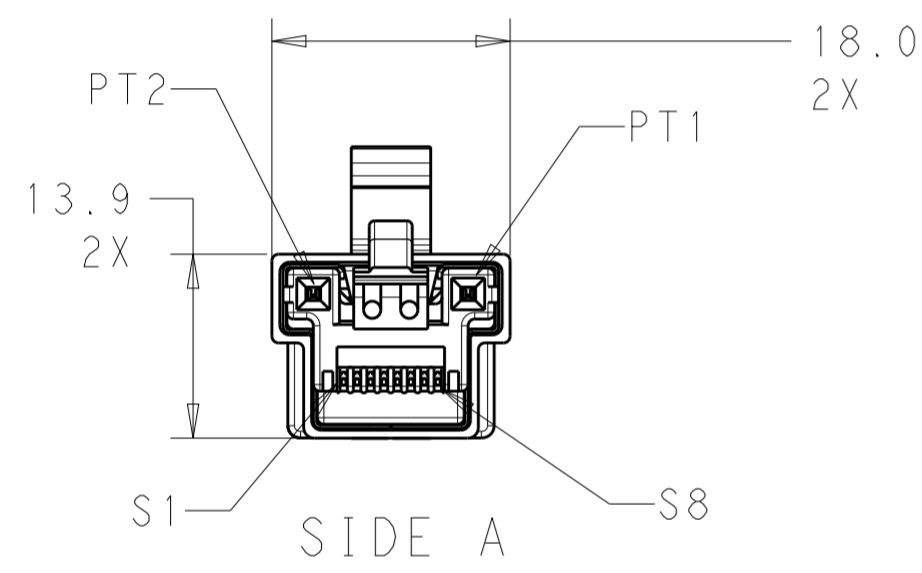
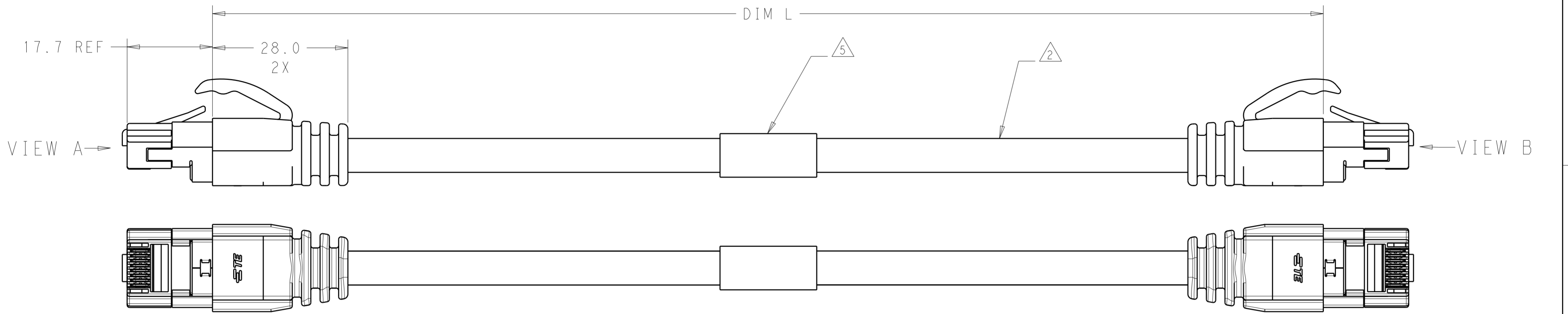


THIS DRAWING IS UNPUBLISHED. RELEASED FOR PUBLICATION 20  
 © COPYRIGHT 20 BY - ALL RIGHTS RESERVED.

LOC		DIST		REVISIONS			
P	LTR	DESCRIPTION	DATE	DWN	APVD		
-	-	1 PROPOSED	09OCT2012	CD	MM		
-	-	-	-	-	-		



NOTES:

- △1 MATERIALS AND FINISH:
  - HOUSING: PC, COLOR: CLEAR
  - CONTACTS: COPPER ALLOY  
FINISH: GOLD OVER NICKEL (SIGNAL CONTACTS)  
GOLD OVER NICKEL (POWER CONTACTS)
  - CONNECTOR SHIELD: COPPER-ZINC ALLOY  
FINISH: TIN OVER NICKEL
  - STRAIN RELIEF: TPV, COLOR: BLACK
- △2 CABLE SPECIFICATION:
  - JACKET: PVC, COLOR: RAL9017 - BLACK, OD 7.50 ±0.15
  - SIGNAL CONDUCTORS: 4 PAIR, 26AWG STRANDED (SHIELDED)
  - POWER CONDUCTORS: QTY 2, 18AWG STRANDED
  - MINIMUM BEND RADIUS: 50MM
  - -20 TO 80°C TEMPERATURE RANGE
  - UL444/CM CONSTRUCTION

- 3. MUST COMPLY WITH DIRECTIVE 2002/95/EC (ROHS)
- 4. THIS PRODUCT HAS NOT COMPLETED VALIDATION TESTING

△5 LABEL CONTENT AS FOLLOWS:

TE P/N YY=YEAR  
 YYWW WW=WEEK

25000.0±250.0	2213121-4
10000.0±100.0	2213121-3
5000.0±50.0	2213121-2
2000.0±20.0	2213121-1
DIM "L"	PART NO.

SIGNAL WIRING DETAILS			
	COLOR	SIDE A	SIDE B
PAIR 1	WHITE/ORANGE STRIPE	1	1
	ORANGE	2	2
PAIR 2	WHITE/GREEN STRIPE	3	3
	BLUE	4	4
PAIR 3	WHITE/BLUE STRIPE	5	5
	GREEN	6	6
PAIR 4	WHITE/BROWN STRIPE	7	7
	BROWN	8	8

POWER CABLE CONNECTION			
	COLOR	SIDE A	SIDE B
	BLACK	PT1	PT1
	RED	PT2	PT2

THIS PRINT IS  
**PRELIMINARY**  
 UNQUALIFIED PRODUCT  
 CONTACT PRODUCT ENGINEERING  
 BEFORE USING THIS PRINT

THIS DRAWING IS A CONTROLLED DOCUMENT.

DIMENSIONS:	TOLERANCES UNLESS OTHERWISE SPECIFIED:	DWN	18MAY2012
mm	0 PLC ±	CHK	18MAY2012
	1 PLC ±0.2	M. MOSTOLLER	
	2 PLC ±0.13	APVD	
	3 PLC ±	NAME	
	4 PLC ±	PRODUCT SPEC	108-64022
	ANGLES ±3°	APPLICATION SPEC	
MATERIAL	FINISH	WEIGHT	
△1		CUSTOMER DRAWING	

**PRELIMINARY**

STE TE Connectivity  
 CABLE ASSEMBLY,  
 ETHERNET + POWER  
 SHIELDED CABLE

SIZE	CAGE CODE	DRAWING NO	RESTRICTED TO
A200779	C-2213121		
SCALE	SHEET	OF	REV
7:4	1	1	1