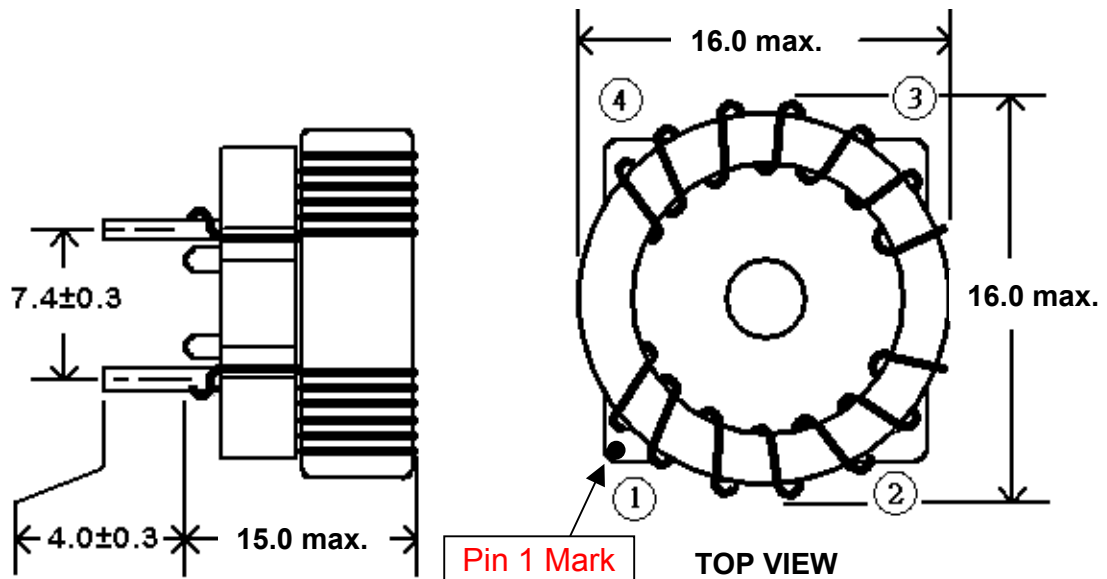
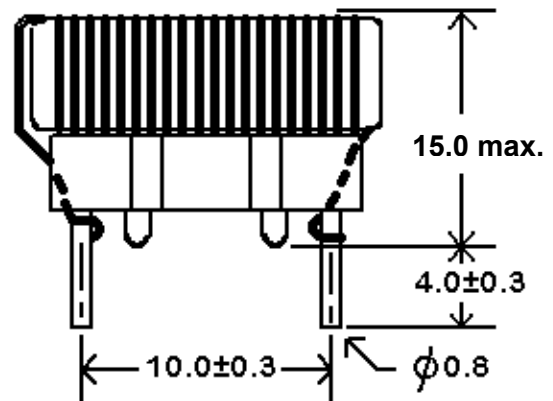
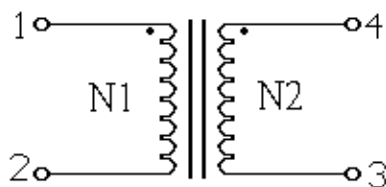


TCK-072



SIDE VIEW

TOP VIEW



FRONT VIEW

All dimensions in mm

SPECIFICATIONS

Inductance	Pin 1-2: 156µH ±35%	Pin 3-4: 156µH ±35%
	Test Condition: 100KHz/100mV Measurement Instrument: HP 4263B LCR Meter	
Impedance	DCR (Max): 15 mΩ	
	Measurement Instrument: HIOKI 3540 mΩ HITESTER	
Rated Current	IDC (Max): 11.3A	
	Measurement Instrument: Agilent 34401A Meter	
Rated voltage	500VDC	
Operating temperature	-40°C – +105°C	
Recommended Through Hole	Φ1.0 mm	

Mouser Electronics

Authorized Distributor

Click to View Pricing, Inventory, Delivery & Lifecycle Information:

[TRACO Power:](#)

[TCK-072](#)