

DIESES ZEICHNUNGSDOKUMENT WIRD DURCH TE INCORPORATED KONTROLLIERT. AENDERUNGEN, DIE DEM TECHNISCHEM FORTSCHRITT DIENEN, SIND VORBEHALTEN. DEN JEWEILS LETZTGEUERTIGEN AENDERUNGSSTAND ERFAHREN SIE AUF ANFRAGE.

THIS DRAWING IS A CONTROLLED DOCUMENT FOR TE INCORPORATED. IT IS SUBJECT TO CHANGE AND THE CONTROLLING ENGINEERING ORGANIZATION SHOULD BE CONTACTED FOR THE LATEST REVISION.

RELEASED FOR PUBLICATION
FREI FÜR VERÖFFENTLICHUNG

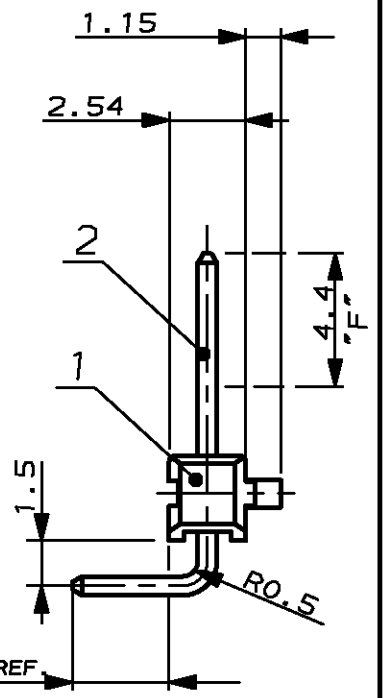
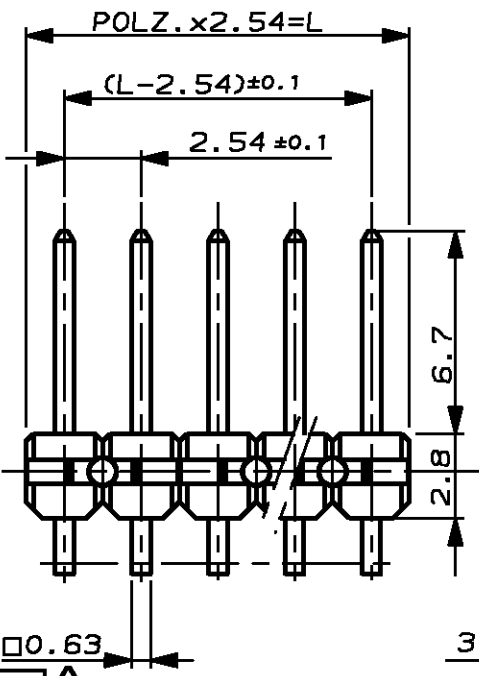
KW 39/96

THIS DRAWING IS UNPUBLISHED.
VERTRAULICHE UNVERÖFFENTLICHT ZEICHNUNG.

ALL RIGHTS RESERVED.
ALLE RECHTE VORBEHALTEN.
BY TE INCORPORATED.
COPYRIGHT 1975

MATED WITH: PASSEND ZU:	LOC AI	DIST -	REVISIONS AENDERUNGEN DESCRIPTION BESCHREIBUNG				DATE	DWN	APVD
-	-	-	P	LTR					
PROJEKT NR.:	E 75-9231		V		Contact pin base material change from CuSn (Phosphor bronze) to CuZn (Brass). Plating change from min. 0.8microns gold plating to min. 0.7 microns Pd Ni + 0.1 microns gold flash at contact area (Area F).	24JUN 2014	TJ	JK	

POLZ.	L±0.5	BESTELL-NR.	
-	-	-	-
2	5.08	825 437 -2	-
3	7.62		-3
4	10.16		-4
5	12.70		-5
6	15.24		-6
7	17.78		-7
8	20.32		-8
9	22.86		-9
10	25.40	1-	-0
11	27.94	1-	-1
12	30.48	1-	-2
13	33.02	1-	-3
14	35.56	1-	-4
15	38.10	1-	-5
16	40.64	1-	-6
17	43.18	1-	-7
18	45.72	1-	-8
19	48.26	1-	-9
20	50.80	2-	-0
21	53.34	2-	-1
22	55.88	2-	-2
23	58.42	2-	-3
24	60.96	2-	-4
25	63.50	2-	-5
26	66.04	2-	-6
27	68.58	2-	-7
28	71.12	2-	-8
29	73.66	2-	-9
30	76.20	3-	-0
31	78.74	3-	-1
32	81.28	3-	-2
33	83.82	3-	-3
34	86.36	3-	-4
35	88.90	3-	-5
36	91.44	3-	-6
37	93.98	3-	-7
38	96.52	3-	-8
39	99.06	3-	-9
40	101.60	4-	-0
41	104.14	4-	-1
42	106.68	4-	-2
43	109.22	4-	-3
44	111.76	4-	-4
45	114.30	4-	-5
46	116.84	4-	-6
47	119.38	4-	-7
48	121.92	4-	-8
49	124.46	4-	-9
50	127.00	5- 825 437 -0	



MATING SIDE: MIN 0.7µm PdNi + 0.1µm GOLD FLASH.
SOLDER SIDE: MIN 2.5µm TIN OVER 1.27µm NICKEL.

1 OBSOLETE PARTS: OBSOLETE CIS STREAMLINING PER D.RENAUD/D.SINISI
2 OBSOLETE
3 OBSOLETE

-	-	-	-	Cu Zn	1	CONTACT PIN KONTAKTSTIFT	2
-	-	-	-	PBT GV	GREEN GRÜN	PIN HOUSING STIFTGEHÄUSE	1
CUSTOMER PART NO	TE PART NO	REV.	PCS.	MATERIAL	SURFACE COLOR	DESCRIPTION	ITEM NO

DIMENSIONS: DIMENSIONEN: mm TOLERANCES UNLESS OTHERWISE SPECIFIED: ALLGEMEINTOLERANZEN P.P. 150 8015 P.P. 150 2768 - mH -E DIN 16901 - 140 P.L.C ±0.2 P.L.C ±0.2 P.L.C ±0.2 P.L.C ± ANGLES/WINKEL ±1°	DWN DAHLHEIMER 05.12.75	MATERIAL -	FINISH OBERFLÄCHE/FARBE -		
	CHK BÖCK 17.12.75	TE Connectivity NAME AMPMODU II PIN HEADER, 90DEGREE, SINGLE ROW			
APVD -	PRODUCT SPEC PRODUKTSPEZ. 108-18012				
APVD -	APPLICATION SPEC VERARBEITUNGSSPEZ. -	SIZE A4	CAGE CODE 00779	DRAWING NO ZEICHNUNGS-NR. 825437	RESTRICTED TO NUR FÜR -
WEIGHT GEWICHT -	CUSTOMER DRAWING /KUNDENZEICHNUNG		MASSSTAB 4:1	BLATT 1 OF 1 VON 1	REV V