

# PRODUCT DATA DRAWING

CAD  
GENERATED  
DRAWING

DCN  
CONTROLLED  
DOCUMENT

DWG. NO.

SF8018-6057

## MATERIAL :

BODY &  
COUPLING NUT: STAINLESS STEEL PER AMS-5640

LOCK RING  
& CONTACT: BERYLLIUM COPPER PER ASTM B196

INSULATOR: PTFE PER ASTM D1710

GASKET: SILICONE RUBBER PER ZZ-R-765,  
CLASS IIB, GRADE 50/60

RESISTOR ELEMENT: ALUMINA SUBSTRATE WITH  
NICHROME RESISTOR

## FINISH :

BODY: GOLD PER ASTM B488, TYPE II,  
GRADE C, CLASS .76; OVER NICKEL  
PER AMS-QQ-N-290, CLASS 1

COUPLING NUT: PASSIVATED PER AMS-QQ-P-35, TYPE II

CONTACT: GOLD PER ASTM B488, TYPE II,  
GRADE C, CLASS 1.52; OVER NICKEL  
PER AMS-QQ-N-290, CLASS 1

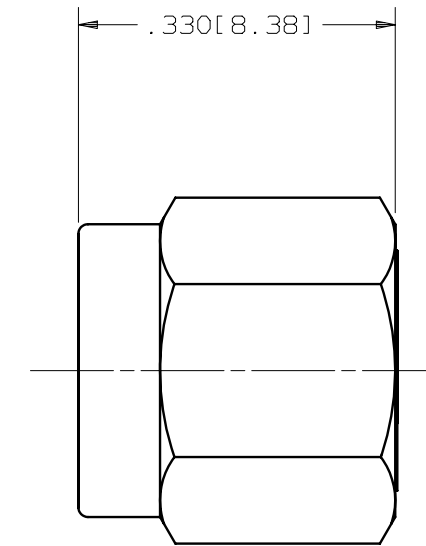
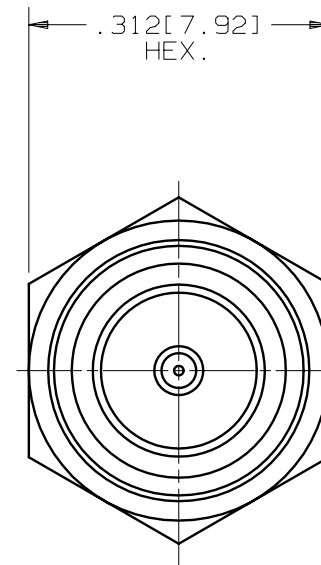
## PERFORMANCE :

IMPEDANCE: 50 OHMS

FREQ. RANGE: DC TO 18.0 GHz

VSWR: 1.30:1 DC TO 18.0 GHz

OPERATING TEMP: -55°C TO +125°C



SYM.	DESCRIPTION	DATE	APPR.	UNLESS OTHERWISE SPECIFIED:			DIMENSIONS ARE IN INCHES			TITLE:	
-	REL. DCN 32745	02/05	CCC	1) ALL DIMENSIONS ARE AFTER PLATING. 2) BREAK CORNERS & EDGES .005 R. MAX. 3) CHAM. 1st & LAST THDS. 4) SURFACE ROUGHNESS 63 / MIL-STD-10. 5) DIAS. ON COMMON CENTERS TO BE CONCENTRIC WITHIN .005 T.I.R. 6) REMOVE ALL BURRS.			TOLERANCES:				SV Microwave, Inc. 2400 Centrepark West Drive, Suite 100 West Palm Beach, FL 33409
							DECIMALS	FRACTIONAL	ANGULAR		
							.X ±.030		X° ±1°0'		
							.XX ±.015	±1/64	X°X' ±15'		
							.XXX ±.005				
							DRAWN: MGT 02/24/05			MATERIAL: SEE ABOVE	
				CHECKED: CCC 02/24/05			FINISH: SEE ABOVE		N/A		
				APPROVED: CCC 02/24/05			SIZE	CAGE NO.	SCALE	DWG. NO.	
							B	95077	5X	SF8018-6057	