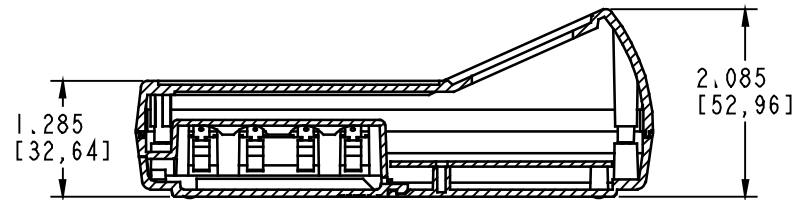
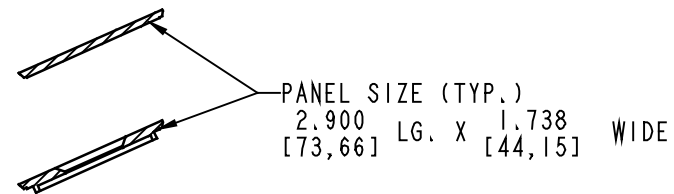
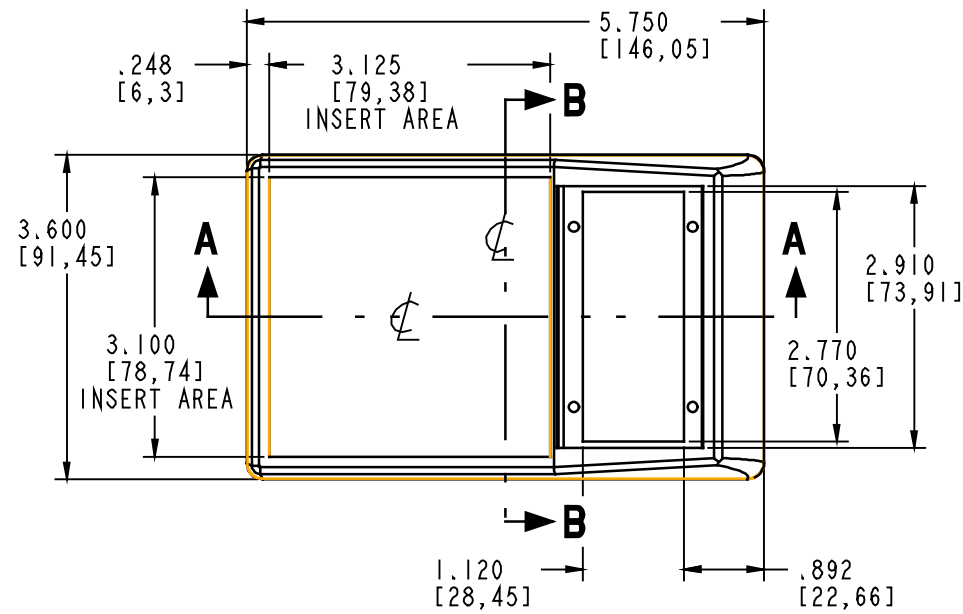
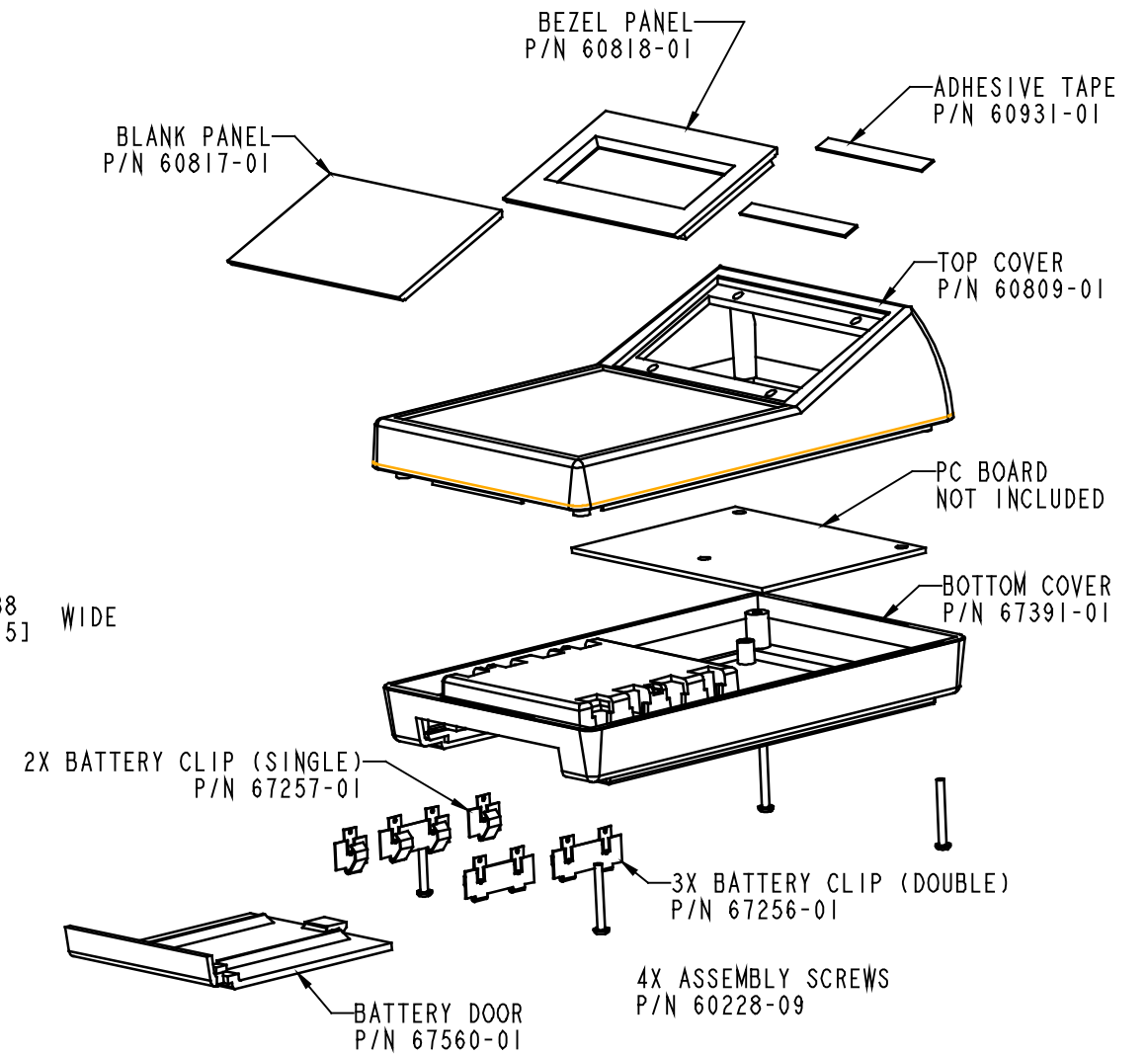
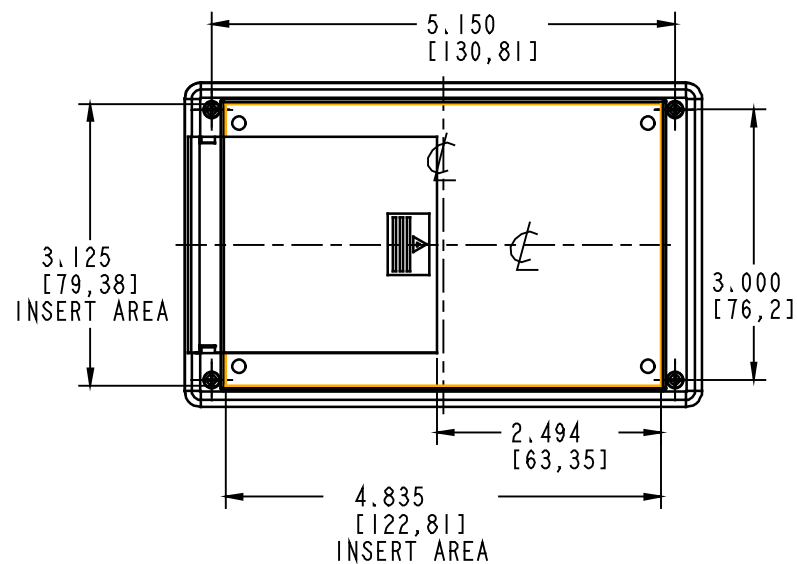
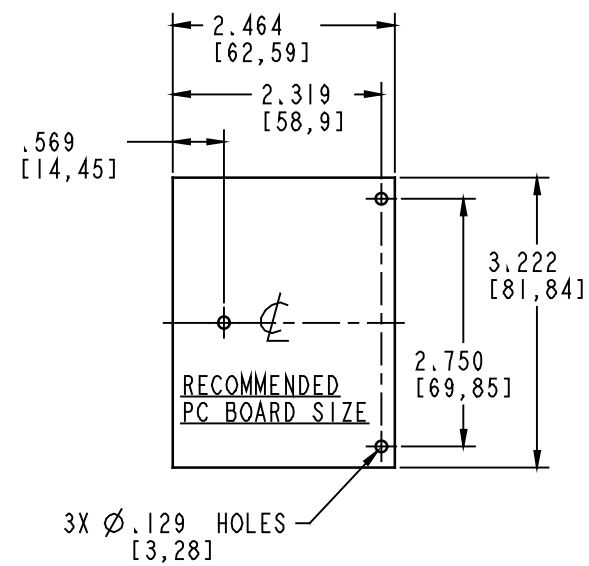


**SECTION B-B**



**SECTION A-A**



**PACNTEC®**  
1-610-361-4200

**HPS-4AA**

VISIT **PACNTEC®**  
ON THE WORLD WIDE WEB  
[www.pactecenclosures.com](http://www.pactecenclosures.com)

COLOR / MATERIAL CODE		
COLOR	94HB	94VO
BLACK	000	028
P.C.BONE	039	060

DRAWING NUMBER	REV
69441	C