

NCP1612A, NCP1612B, NCP1612A1, NCP1612A2, NCP1612A3, NCP1612B2

Enhanced, High-Efficiency Power Factor Controller

The NCP1612 is designed to drive PFC boost stages based on an innovative *Current Controlled Frequency Fold-back (CCFF)* method. In this mode, the circuit classically operates in *Critical conduction Mode (CrM)* when the inductor current exceeds a programmable value. When the current is below this preset level, the NCP1612 linearly decays the frequency down to about 20 kHz when the current is null. *CCFF* maximizes the efficiency at both nominal and light load. In particular, the stand-by losses are reduced to a minimum.

Like in *FCCrM* controllers, an internal circuitry allows near-unity power factor even when the switching frequency is reduced. Housed in a SO-10 package, the circuit also incorporates the features necessary for robust and compact PFC stages, with few external components.

General Features

- Near-unity Power Factor
- Critical Conduction Mode (CrM)
- Current Controlled Frequency Fold-back (CCFF): Low Frequency Operation is Forced at Low Current Levels
- On-time Modulation to Maintain a Proper Current Shaping in CCFF Mode
- Skip Mode Near the Line Zero Crossing
- Fast Line/Load Transient Compensation (Dynamic Response Enhancer)
- Valley Turn On
- High Drive Capability: -500 mA/+800 mA
- V_{CC} Range: from 9.5 V to 35 V
- Low Start-up Consumption
- Six Versions: NCP1612A, B, A1, A2, A3 and B2 (see Table 1)
- Line Range Detection
- pfcOK Signal
- This is a Pb-Free Device

Safety Features

- Separate Pin for Fast Over-voltage Protection (FOVP) for Redundancy
- Soft Over-voltage Protection
- Brown-out Detection
- Soft-start for Smooth Start-up Operation (A, A1, A2 and A3 Versions)
- Over Current Limitation
- Disable Protection if the Feedback is Not Connected
- Thermal Shutdown
- Latched Off Capability

- Low Duty-cycle Operation if the Bypass Diode is shorted
- Open Ground Pin Fault Monitoring
- Saturated Inductor Protection
- Detailed Safety Testing Analysis (Refer to Application Note [AND9079/D](#))

Typical Applications

- PC Power Supplies
- All Off Line Appliances Requiring Power Factor Correction



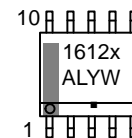
ON Semiconductor®

www.onsemi.com



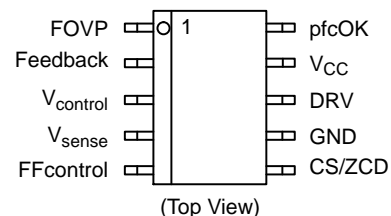
SOIC-10
CASE 751BQ

MARKING DIAGRAM



1612x = Specific Device Code
x = A, A1, A2, A3, B or B2
A = Assembly Location
L = Wafer Lot
Y = Year
W = Work Week
▪ = Pb-Free Package

PIN CONNECTIONS



ORDERING INFORMATION

See detailed ordering and shipping information on page 30 of this data sheet.

NCP1612A, NCP1612B, NCP1612A1, NCP1612A2, NCP1612A3, NCP1612B2

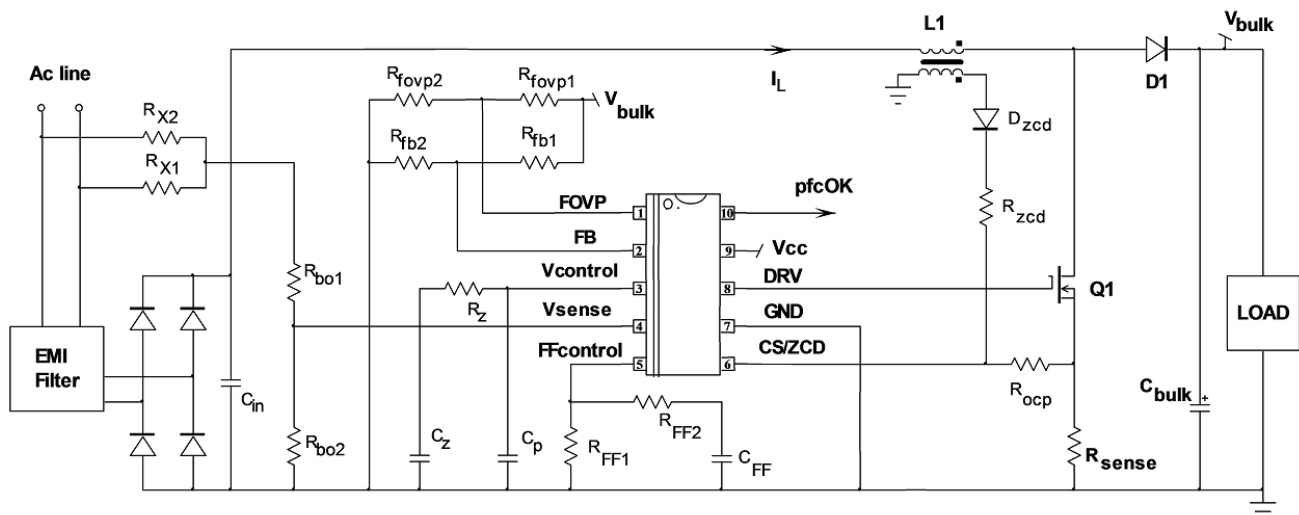


Figure 1. Typical Application Schematic

Table 1. FIVE NCP1612 VERSIONS

Part Number	Typical UVLO Hysteresis	Condition for BUV Tripping (typical threshold)	Maximum Dead-time (typical value)	Condition for Latching-off (typical threshold)	UVP2 if $V_{FOVP} < V_{UVP2}$	Dynamic Response Enhancer (DRE)
NCP1612A	1.5 V	$V_{FOVP} < 76\% \cdot V_{REF}$	48.5 μ s	$V_{pfcOK} > 7.5$ V	YES	Disabled until pfcOK turns high
NCP1612A1	1.5 V	$V_{FOVP} < 40\% \cdot V_{REF}$	48.5 μ s	$V_{pfcOK} > 7.5$ V	YES	Disabled until pfcOK turns high
NCP1612A2	1.5 V	$V_{FB} < 76\% \cdot V_{REF}$	48.5 μ s	$V_{FOVP} > 107\% \cdot V_{REF}$	NO	Disabled until pfcOK turns high
NCP1612A3	1.5 V	$V_{FOVP} < 40\% \cdot V_{REF}$	41.5 μ s	$V_{pfcOK} > 7.5$ V	YES	Disabled until pfcOK turns high
NCP1612B	8.0 V	$V_{FOVP} < 76\% \cdot V_{REF}$	48.5 μ s	$V_{pfcOK} > 7.5$ V	YES	Enabled as soon as the circuit turns on to speed-up the startup phase
NCP1612B2*	8.0 V	$V_{FB} < 76\% \cdot V_{REF}$	48.5 μ s	$V_{FOVP} > 107\% \cdot V_{REF}$	NO	Enabled as soon as the circuit turns on to speed-up the startup phase

*Please contact local sales representative for availability

Recommended Applications:

- The NCP1612B and NCP1612B2 large UVLO hysteresis (6 V minimum) avoids the need for large V_{CC} capacitors and help shorten the start-up time without the need for too dissipative start-up elements in self-powered PFC applications (where high-impedance start-up resistors are generally implemented to pre-charge the V_{CC} capacitor).
- The A, A1, A2 and A3 versions are preferred in applications where the circuit is fed by an external power source (from an auxiliary power supply or from a downstream converter). Its maximum start-up level (11.25 V) is set low enough so that the circuit can be powered from a 12-V voltage rail.
- A2 and B2 versions are to be preferred when a signal other than a portion of the output voltage is applied to the FOVP pin (e.g., a voltage representative of the output voltage provided by an auxiliary winding) and/or if the pfcOK pin voltage must be able to rise up to the V_{CC} level without latching the part. Note that with the A2 and B2 versions, the fast OVP protection latches-off the circuit when triggered.

NCP1612A, NCP1612B, NCP1612A1, NCP1612A2, NCP1612A3, NCP1612B2

Table 2. MAXIMUM RATINGS (Note 1)

Symbol	Pin	Rating	Value	Unit
V_{CC}	9	Power Supply Input	-0.3, +35	V
FOVP	1	FOVP Pin	-0.3, +10	V
Feedback	2	Feedback Pin	-0.3, +10	V
$V_{CONTROL}$	3	$V_{CONTROL}$ Pin (Note 2)	-0.3, $V_{CONTROLMAX}$	V
V_{sense}	4	V_{sense} Pin (Note 3)	-0.3, +10	V
FFcontrol	5	FFcontrol Pin	-0.3, +10	V
CS/ZCD	6	Input Voltage (Note 4) Current Injected to Pin 4 (Note 5)	-0.3, +35 +5	V mA
DRV	8	Driver Voltage (Note 2) Driver Current	-0.3, V_{DRV} -500, +800	V mA
pfcOK	10	pfcOK Pin	-0.3, V_{CC}	V
P_D $R_{\theta JA}$		Power Dissipation and Thermal Characteristics Maximum Power Dissipation @ $T_A = 70^\circ\text{C}$ Thermal Resistance Junction-to-Air	550 145	mW $^\circ\text{C/W}$
T_J		Operating Junction Temperature Range	-40 to +125	$^\circ\text{C}$
T_{Jmax}		Maximum Junction Temperature	150	$^\circ\text{C}$
T_{Smax}		Storage Temperature Range	-65 to 150	$^\circ\text{C}$
T_{Lmax}		Lead Temperature (Soldering, 10s)	300	$^\circ\text{C}$
MSL		Moisture Sensitivity Level	1	-
		ESD Capability, Human Body Model (Note 6)	> 2000	V
		ESD Capability, Machine Model (Note 6)	> 200	V
		ESD Capability, Charged Device Model (Note 6)	1000	V

Stresses exceeding those listed in the Maximum Ratings table may damage the device. If any of these limits are exceeded, device functionality should not be assumed, damage may occur and reliability may be affected.

1. This device contains latch-up protection and exceeds 100 mA per JEDEC Standard JESD78.
2. " $V_{CONTROLMAX}$ " is the pin3 clamp voltage and " V_{DRV} " is the DRV clamp voltage ($V_{DRVhigh}$). If V_{CC} is below $V_{DRVhigh}$, " V_{DRV} " is V_{CC} .
3. Recommended maximum V_{sense} voltage for optimal operation is 4.5 V.
4. The recommended maximum voltage not to exceed remains -0.3 V but Figure 2 short negative spike on the CS/ZCD pin is typically acceptable. However, it implies the full characterization of the circuit embedding the NCP1612, including at maximum temperature conditions, during which no erratic operation is observed. If otherwise noted, we recommend to clamp the negative voltage on the CS/ZCD pin to avoid carrier injection within the die.
5. Maximum CS/ZCD current that can be injected into pin6 (see Figure 3).
6. This device(s) contains ESD protection and exceeds the following tests:
Human Body Model 2000 V per JEDEC Standard JESD22-A114E
Machine Model Method 200 V per JEDEC Standard JESD22-A115-A
Charged Device Model Method 1000 V per JEDEC Standard JESD22-C101E

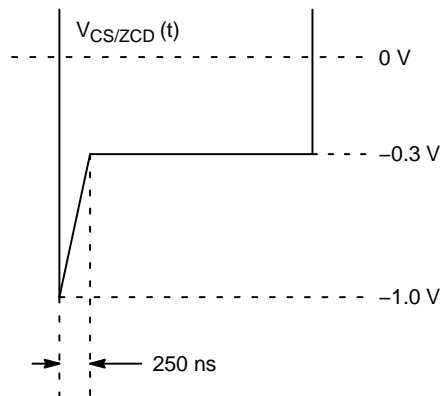


Figure 2.

NCP1612A, NCP1612B, NCP1612A1, NCP1612A2, NCP1612A3, NCP1612B2

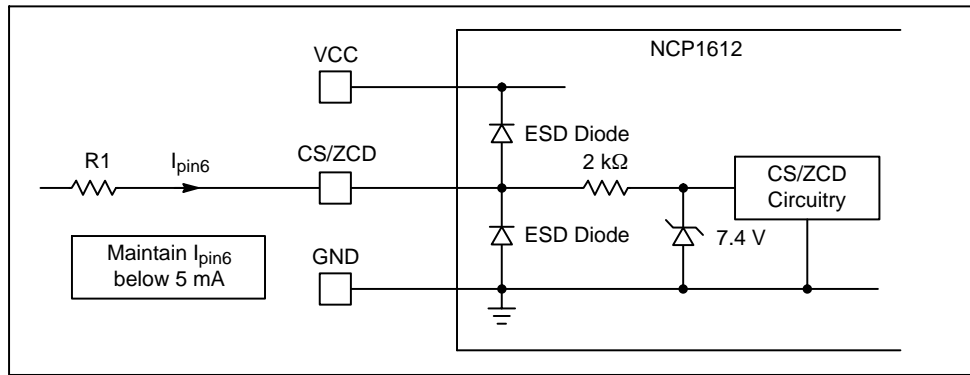


Figure 3.

Table 3. TYPICAL ELECTRICAL CHARACTERISTICS

(Conditions: $V_{CC} = 15\text{ V}$, T_J from -40°C to $+125^\circ\text{C}$, unless otherwise specified)

Symbol	Rating	Min	Typ	Max	Unit
START-UP AND SUPPLY CIRCUIT					
$V_{CC(on)}$	Start-up Threshold, V_{CC} increasing: A, A1, A2 and A3 versions B and B2 versions	9.75 15.80	10.50 17.00	11.25 18.20	V
$V_{CC(off)}$	Minimum Operating Voltage, V_{CC} falling	8.5	9.0	9.5	V
$V_{CC(HYST)}$	Hysteresis ($V_{CC(on)} - V_{CC(off)}$) A, A1, A2 and A3 versions B and B2 versions	0.75 6.00	1.50 8.00	– –	V
$V_{CC(reset)}$	V_{CC} level below which the circuit resets	2.5	4.0	6.0	V
$I_{CC(start)}$	Start-up Current, $V_{CC} = 9.4\text{ V}$	–	20	50	μA
$I_{CC(op)1}$	Operating Consumption, no switching (V_{SENSE} pin being grounded)	–	0.5	1.0	mA
$I_{CC(op)2}$	Operating Consumption, 50 kHz switching, no load on DRV pin	–	2.0	3.0	mA
CURRENT CONTROLLED FREQUENCY FOLD-BACK					
T_{DT1}	Dead-time, $V_{FFcontrol} = 2.60\text{ V}$ (Note 7)	–	–	0	μs
T_{DT2}	Dead-time, $V_{FFcontrol} = 1.75\text{ V}$	14	18	22	μs
T_{DT3}	Dead-time, $V_{FFcontrol} = 1.00\text{ V}$	32	38	44	μs
T_{DT4}	Dead-time, $V_{FFcontrol} = V_{SKIP_L} + 30\text{ mV}$ (NCP1612A3 Only) @ 25°C Over the Temperature Range	34.0 32.0	41.5 41.5	45.0 47.0	μs
I_{DT1}	FFcontrol Pin current, $V_{sense} = 1.4\text{ V}$ and $V_{control}$ maximum	180	200	220	μA
I_{DT2}	FFcontrol Pin current, $V_{sense} = 2.8\text{ V}$ and $V_{control}$ maximum	110	135	160	μA
V_{SKIP-H}	FFcontrol pin Skip Level, $V_{FFcontrol}$ rising	– –	0.75 1.00	0.85 1.05	V
V_{SKIP-L}	FFcontrol pin Skip Level, $V_{FFcontrol}$ falling	0.55 0.85	0.65 0.90	– –	V
H_{SKIP-L}	FFcontrol pin Skip Hysteresis	50	–	–	mV
GATE DRIVE (Note 8)					
T_R	Output voltage rise-time @ $C_L = 1\text{ nF}$, 10–90% of output signal	–	30	–	ns
T_F	Output voltage fall-time @ $C_L = 1\text{ nF}$, 10–90% of output signal	–	20	–	ns
R_{OH}	Source resistance	–	10	–	Ω
R_{OL}	Sink resistance	–	7.0	–	Ω
I_{SOURCE}	Peak source current, $V_{DRV} = 0\text{ V}$ (guaranteed by design)	–	500	–	mA
I_{SINK}	Peak sink current, $V_{DRV} = 12\text{ V}$ (guaranteed by design)	–	800	–	mA
V_{DRVlow}	DRV pin level at V_{CC} close to $V_{CC(off)}$ with a $10\text{ k}\Omega$ resistor to GND	8.0	–	–	V
$V_{DRVhigh}$	DRV pin level at $V_{CC} = 35\text{ V}$ ($R_L = 33\text{ k}\Omega$, $C_L = 220\text{ pF}$)	10	12	14	V

NCP1612A, NCP1612B, NCP1612A1, NCP1612A2, NCP1612A3, NCP1612B2

Table 3. TYPICAL ELECTRICAL CHARACTERISTICS (continued)
 (Conditions: $V_{CC} = 15\text{ V}$, T_J from -40°C to $+125^\circ\text{C}$, unless otherwise specified)

Symbol	Rating	Min	Typ	Max	Unit
REGULATION BLOCK					
V_{REF}	Feedback Voltage Reference: @ 25°C Over the temperature range	2.44 2.42	2.50 2.50	2.54 2.54	V
I_{EA}	Error Amplifier Current Capability	–	± 20	–	μA
G_{EA}	Error Amplifier Gain	110	220	290	μS
$V_{CONTROL}$ $-V_{CONTROLMAX}$ $-V_{CONTROLMIN}$	$V_{CONTROL}$ Pin Voltage: – @ $V_{FB} = 2\text{ V}$ – @ $V_{FB} = 3\text{ V}$	– –	4.5 0.5	– –	V
V_{OUTL}/V_{REF}	Ratio (V_{OUT} Low Detect Threshold/ V_{REF}) (guaranteed by design)	95.0	95.5	96.0	%
H_{OUTL}/V_{REF}	Ratio (V_{OUT} Low Detect Hysteresis/ V_{REF}) (guaranteed by design)	–	–	0.5	%
I_{BOOST}	$V_{CONTROL}$ Pin Source Current when (V_{OUT} Low Detect) is activated	180	220	250	μA
CURRENT SENSE AND ZERO CURRENT DETECTION BLOCKS					
$V_{CS(th)}$	Current Sense Voltage Reference	450	500	550	mV
$T_{LEB,OC}$	Over-current Protection Leading Edge Blanking Time (guaranteed by design)	100	200	350	ns
$T_{LEB,OVS}$	“OverStress” Leading Edge Blanking Time (guaranteed by design)	50	100	170	ns
T_{OCP}	Over-current Protection Delay from $V_{CS/ZCD} > V_{CS(th)}$ to DRV low ($dV_{CS/ZCD} / dt = 10\text{ V}/\mu\text{s}$)	–	40	200	ns
$V_{ZCD(th)H}$	Zero Current Detection, $V_{CS/ZCD}$ rising	675	750	825	mV
$V_{ZCD(th)L}$	Zero Current Detection, $V_{CS/ZCD}$ falling	200	250	300	mV
$V_{ZCD(hyst)}$	Hysteresis of the Zero Current Detection Comparator	375	500	–	mV
$R_{ZCD/CS}$	$V_{ZCD(th)H}$ over $V_{CS(th)}$ Ratio	1.4	1.5	1.6	–
$V_{CL(pos)}$	CS/ZCD Positive Clamp @ $I_{CS/ZCD} = 5\text{ mA}$	–	15.6	–	V
$I_{ZCD(bias)}$	Current Sourced by the CS/ZCD Pin, $V_{CS/ZCD} = V_{ZCD(th)H}$	0.5	–	2.0	μA
$I_{ZCD(bias)}$	Current Sourced by the CS/ZCD Pin, $V_{CS/ZCD} = V_{ZCD(th)L}$	0.5	–	2.0	μA
T_{ZCD}	($V_{CS/ZCD} < V_{ZCD(th)L}$) to (DRV high)	–	60	200	ns
T_{SYNC}	Minimum ZCD Pulse Width	–	110	200	ns
T_{WDG}	Watch Dog Timer	80	200	320	μs
$T_{WDG(OS)}$	Watch Dog Timer in “Overstress” Situation	400	800	1200	μs
T_{TMO}	Time-out Timer	20	30	50	μs
$I_{ZCD(gnd)}$	Source Current for CS/ZCD pin impedance Testing	–	250	–	μA
STATIC OVP					
D_{MIN}	Duty Cycle, $V_{FB} = 3\text{ V}$, $V_{control}$ pin open	–	–	0	%
ON-TIME CONTROL					
$T_{ON(LL)}$	Maximum On Time, $V_{sense} = 1.4\text{ V}$ and $V_{control}$ maximum (CrM)	22.0	25.0	29.0	μs
$T_{ON(LL)2}$	On Time, $V_{sense} = 1.4\text{ V}$ and $V_{control} = 2.5\text{ V}$ (CrM)	10.5	12.5	14.0	μs
$T_{ON(HL)}$	Maximum On Time, $V_{sense} = 2.8\text{ V}$ and $V_{control}$ maximum (CrM)	7.3	8.5	9.6	μs
$T_{ON(LL)(MIN)}$	Minimum On Time, $V_{sense} = 1.4\text{ V}$ (not tested, guaranteed by characterization)	–	–	200	ns
$T_{ON(HL)(MIN)}$	Minimum On Time, $V_{sense} = 2.8\text{ V}$ (not tested, guaranteed by characterization)	–	–	100	ns
FEED-BACK OVER AND UNDER-VOLTAGE PROTECTION (SOFT OVP AND UVP)					
$R_{softOVP}$	Ratio (soft OVP Threshold, V_{FB} rising) over V_{REF} ($V_{softOVP}/V_{REF}$) (guaranteed by design)	104	105	106	%
$R_{softOVP(HYST)}$	Ratio (Soft OVP Hysteresis) over V_{REF} (guaranteed by design)	1.5	2.0	2.5	%
R_{UVP}	Ratio (UVP Threshold, V_{FB} rising) over V_{REF} (V_{UVP}/V_{REF}) (guaranteed by design)	8	12	16	%
$R_{UVP(HYST)}$	Ratio (UVP Hysteresis) over V_{REF} (guaranteed by design)	–	–	1	%
$(I_B)_{FB}$	FB Pin Bias Current @ $V_{FB} = V_{softOVP}$ and $V_{FB} = V_{UVP}$	50	200	450	nA

NCP1612A, NCP1612B, NCP1612A1, NCP1612A2, NCP1612A3, NCP1612B2

Table 3. TYPICAL ELECTRICAL CHARACTERISTICS (continued)

(Conditions: $V_{CC} = 15\text{ V}$, T_J from -40°C to $+125^\circ\text{C}$, unless otherwise specified)

Symbol	Rating	Min	Typ	Max	Unit
FAST OVER VOLTAGE PROTECTION AND BULK UNDER-VOLTAGE PROTECTION (FAST OVP AND BUV)					
$V_{fastOVP}$	Fast OVP Threshold, V_{FOVP} rising	2.560	2.675	2.750	V
$R_{fastOVP1}$	Ratio (Fast OVP Threshold, V_{FOVP} rising) over (soft OVP Threshold, V_{FB} rising) ($V_{fastOVP}/V_{softOVP}$) (guaranteed by design)	101.5	102.0	102.5	%
$R_{fastOVP2}$	Ratio (Fast OVP Threshold, V_{FOVP} rising) over V_{REF} ($V_{fastOVP}/V_{REF}$) (guaranteed by design)	106	107	108	%
V_{BUV}	BUV Threshold: NCP1612A, NCP1612B, V_{FOVP} falling NCP1612A1, NCP1612A3, V_{FOVP} falling NCP1612A2 and NCP1612B2, V_{FB} falling	1.80 0.90 1.80	1.90 1.00 1.90	2.00 1.10 2.00	V
R_{BUV}	Ratio (BUV Threshold) over V_{REF} (V_{BUV}/V_{REF}) NCP1612A, NCP1612B, V_{FOVP} falling NCP1612A1, NCP1612A3, V_{FOVP} falling NCP1612A2 and NCP1612B2, V_{FB} falling	74 37 74	76 40 76	78 43 78	%
$(I_B)_{FOVP/BUV}$	Pin1 Bias Current @ $V_{pin1} = V_{fastOVP}$ (all versions) @ $V_{pin1} = V_{BUV}$ (NCP1612A, NCP1612A1, NCP1612B, NCP1612A3 only)	50 50	200 200	450 450	nA
V_{UVP2}	UVP2 Threshold for Floating Pin Detection (NCP1612A, NCP1612A1, NCP1612A3 and NCP1612B only)	0.2	0.3	0.4	V

BROWN-OUT PROTECTION AND FEED-FORWARD

V_{BOH}	Brown-out Threshold, V_{sense} rising	0.96	1.00	1.04	V
V_{BOL}	Brown-out Threshold, V_{sense} falling	0.86	0.90	0.94	V
$V_{BO(HYST)}$	Brown-out Comparator Hysteresis	60	100	–	mV
$T_{BO(blank)}$	Brown-out Blanking Time	35	50	65	ms
$I_{CONTROL(BO)}$	$V_{CONTROL}$ Pin Sink Current, $V_{sense} < V_{BOL}$	40	50	60	μA
V_{HL}	High-line Detection Comparator Threshold, V_{sense} rising	2.1	2.2	2.3	V
V_{LL}	High-line Detection Comparator Threshold, V_{sense} falling	1.6	1.7	1.8	V
$V_{HL(hyst)}$	High-line Detection Comparator Hysteresis	400	500	600	mV
$T_{HL(blank)}$	Blanking Time for Line Range Detection	15	25	35	ms
$I_{BO(bias)}$	Brown-out Pin Bias Current, $V_{sense} = V_{BO}$	–250	–	250	nA

pfOK SIGNAL

$(V_{pfOK})_L$	pfOK low state voltage @ $I_{pfOK} = 5\text{ mA}$	–	–	250	mV
V_{STDWN}	Shutdown Threshold Voltage (NCP1612A, NCP1612A1, NCP1612A3 and NCP1612B only)	7.0	7.5	8.0	V
R_{pfOK}	Impedance of the pfOK pin in high state (all versions)	150	300	–	k Ω

THERMAL SHUTDOWN

T_{LIMIT}	Thermal Shutdown Threshold	–	150	–	$^\circ\text{C}$
H_{TEMP}	Thermal Shutdown Hysteresis	–	50	–	$^\circ\text{C}$

Product parametric performance is indicated in the Electrical Characteristics for the listed test conditions, unless otherwise noted. Product performance may not be indicated by the Electrical Characteristics if operated under different conditions.

7. There is actually a minimum dead-time that is the delay between the core reset detection and the DRV turning on (T_{ZCD} parameter of the "Current Sense and Zero Current Detection Blocks" section).

8. Guaranteed by design, the VCC pin can handle the double of the DRV peak source current, that is, 1 A typically.

NCP1612A, NCP1612B, NCP1612A1, NCP1612A2, NCP1612A3, NCP1612B2

Table 4. DETAILED PIN DESCRIPTION

Pin Number	Name	Function
1	FOVP	<p>V_{pin1} is the input signal for the Fast Over-voltage (FOVP). The circuit disables the driver if V_{pin1} exceeds the FOVP threshold which is set 2% higher than the reference for the soft OVP comparator (that monitors the feedback pin) so that pins 1 and 2 can receive the same portion of the output voltage.</p> <p>With the NCP1612A, NCP1612A1, NCP1612A3 and NCP1612B, V_{pin1} is also used for under-voltage detection (UVP2) and Bulk Under Voltage (BUV) detection. The BUV comparator disables the driver and grounds the pfcOK pin when V_{pin1} drops below 76% of the 2.5 V reference voltage in the A and B versions and below 40% of the 2.5 V reference voltage in the A1/A3 version. The BUV function has no action whenever the pfcOK pin is in low state. A 250 nA sink current is built-in to ground the pin if the pin is accidentally open.</p>
2	Feedback	<p>This pin receives a portion of the PFC output voltage for the regulation and the Dynamic Response Enhancer (DRE) that drastically speeds-up the loop response when the output voltage drops below 95.5% of the desired output level.</p> <p>V_{pin2} is also the input signal for the Over-voltage (OVP) and Under-voltage (UVP) comparators. The UVP comparator prevents operation as long as V_{pin2} is lower than 12% of the reference voltage (V_{REF}). A soft OVP comparator gradually reduces the duty-ratio to zero when V_{pin2} exceeds 105% of V_{REF} (soft OVP). With the NCP1612A2 and the NCP1612B2, V_{pin2} is used for Bulk Under Voltage (BUV) detection.</p> <p>A 250 nA sink current is built-in to trigger the UVP protection and disable the part if the feedback pin is accidentally open.</p>
3	$V_{CONTROL}$	<p>The error amplifier output is available on this pin. The network connected between this pin and ground adjusts the regulation loop bandwidth that is typically set below 20 Hz to achieve high Power Factor ratios.</p> <p>Pin3 is grounded when the circuit is off so that when it starts operation, $V_{CONTROL}$ slowly charges up to provide a soft-start function with the A, A1, A2 and A3 versions which disables the dynamic response enhancer (DRE) until the startup phase is completed. With the versions optimized for self-powered PFC stages (NCP1612B and NCP1612B2), DRE speeds-up the $V_{CONTROL}$ charge for a shortened startup phase.</p>
4	V_{SENSE}	<p>A portion of the instantaneous input voltage is to be applied to pin4 in order to detect brown-out conditions. If V_{pin4} is lower than 0.9 V for more than 50 ms, the circuit stops pulsing until the pin voltage rises again and exceeds 1 V.</p> <p>This pin also detects the line range. By default, the circuit operates the “low-line gain” mode. If V_{pin4} exceeds 2.2 V, the circuit detects a high-line condition and reduces the loop gain by 3. Conversely, if the pin voltage remains lower than 1.7 V for more than 25 ms, the low-line gain is set.</p> <p>Connecting the pin 4 to ground disables the part once the 50-ms blanking time has elapsed.</p>
5	$FF_{CONTROL}$	<p>This pin sources a current representative to the line current. Connect a resistor between pin5 and ground to generate a voltage representative of the line current. When this voltage exceeds the internal 2.5 V reference (V_{REF}), the circuit operates in critical conduction mode. If the pin voltage is below 2.5 V, a dead-time is generated that approximately equates $[66 \mu s \cdot (1 - (V_{pin5}/V_{REF}))]$. By this means, the circuit forces a longer dead-time when the current is small and a shorter one as the current increases.</p> <p>The circuit skips cycles whenever V_{pin5} is below 0.65 V to prevent the PFC stage from operating near the line zero crossing where the power transfer is particularly inefficient. This does result in a slightly increased distortion of the current. If superior power factor is required, offset pin 5 by more than 0.75 V offset to inhibit the skip function.</p>
6	CS/ZCD	<p>This pin monitors the MOSFET current to limit its maximum current.</p> <p>This pin is also connected to an internal comparator for Zero Current Detection (ZCD). This comparator is designed to monitor a signal from an auxiliary winding and to detect the core reset when this voltage drops to zero. The auxiliary winding voltage is to be applied through a diode to avoid altering the current sense information for the on-time (see application schematic).</p>
7	Ground	Connect this pin to the PFC stage ground.
8	Drive	The high-current capability of the totem pole gate drive (-0.5/+0.8 A) makes it suitable to effectively drive high gate charge power MOSFETs.
9	V_{CC}	<p>This pin is the positive supply of the IC. The circuit starts to operate when V_{CC} exceeds 10.5 V (A, A1, A2 and A3 versions, 17.0 V for the B and B2 versions) and turns off when V_{CC} goes below 9.0 V (typical values). After start-up, the operating range is 9.5 V up to 35 V. The A, A1, A2 and A3 versions are preferred in applications where the circuit is fed by an external power source (from an auxiliary power supply or the downstream converter). Its maximum start-up level (11.25 V) is set low enough so that the circuit can be powered from a 12 V rail. The B and B2 versions are optimized for applications where the PFC stage is self-powered.</p>
10	pfcOK	<p>This pin is grounded until the PFC output has reached its nominal level. It is also grounded if the NCP1612 detects a fault. For the rest of the time, i.e., when the PFC stage outputs the nominal bulk voltage, pin10 is in high-impedance state.</p> <p>The NCP1612A, NCP1612A1, NCP1612A3 and NCP1612B latch off if V_{pin10} exceeds 7.5 V.</p>

NCP1612A, NCP1612B, NCP1612A1, NCP1612A2, NCP1612A3, NCP1612B2

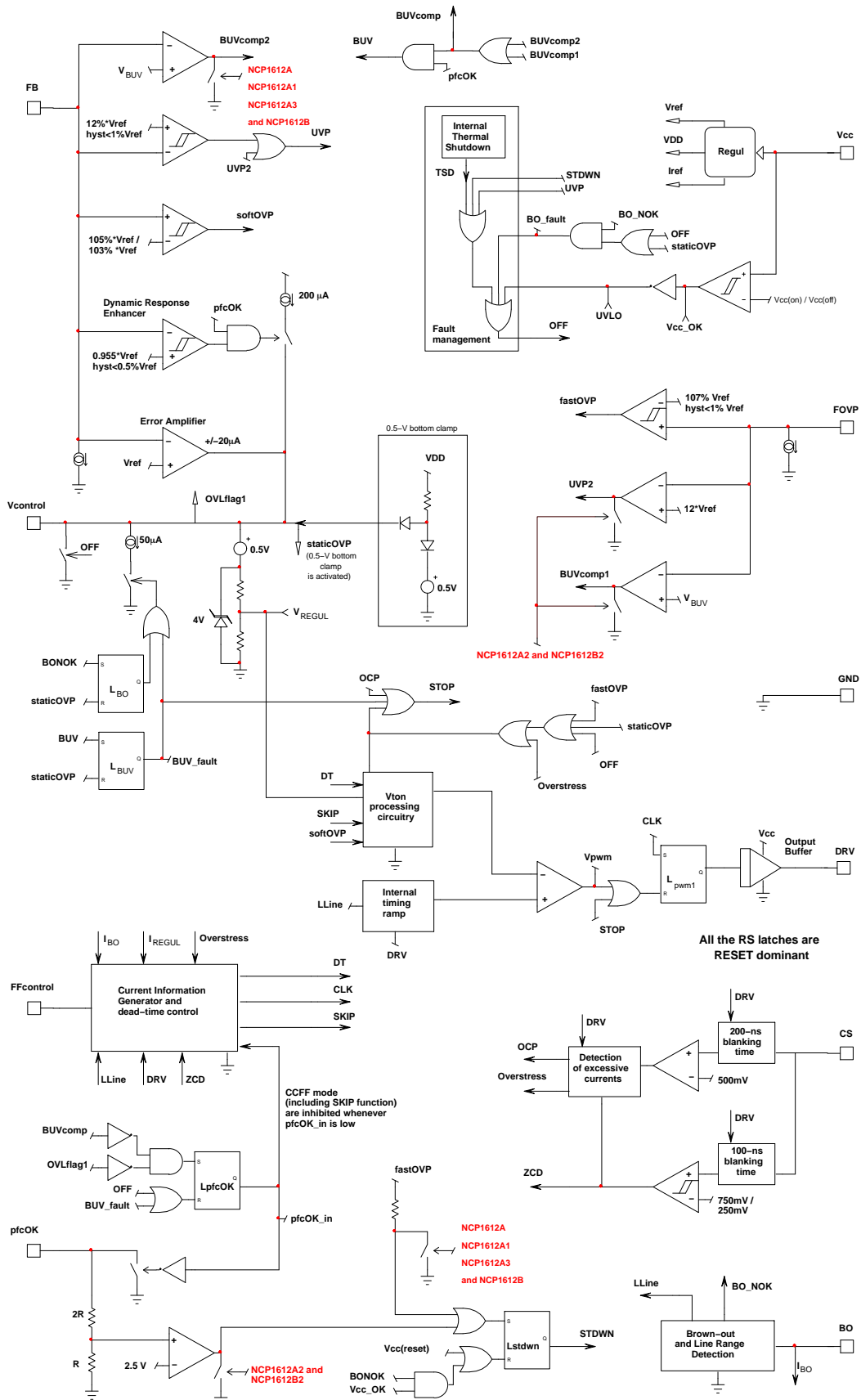


Figure 4. Block Diagram

TYPICAL CHARACTERISTICS

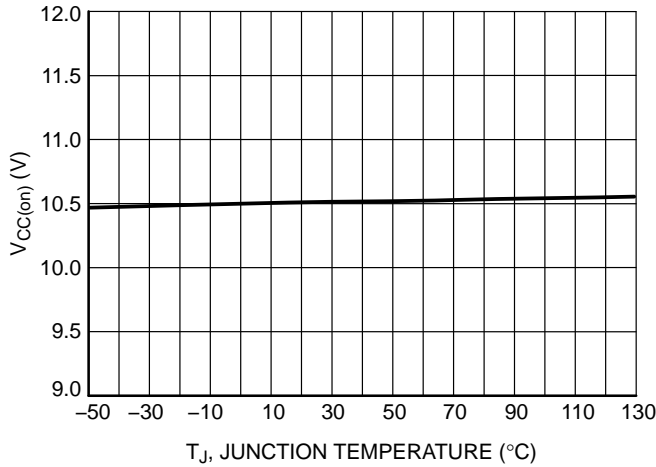


Figure 5. Start-up Threshold, V_{CC} Increasing ($V_{CC(on)}$) vs. Temperature (A, A1, A2 and A3 Versions)

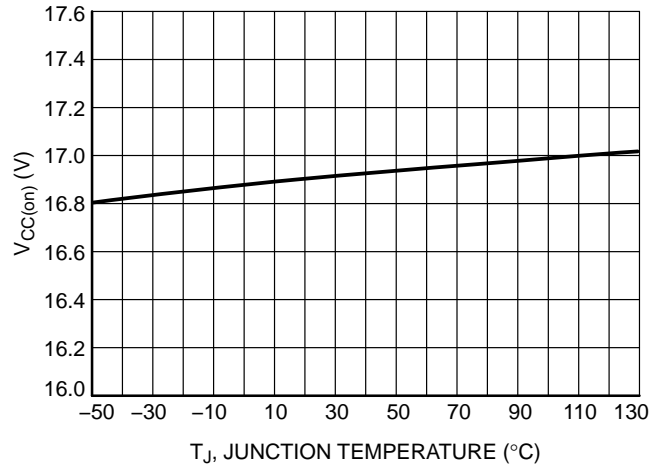


Figure 6. Start-up Threshold, V_{CC} Increasing ($V_{CC(on)}$) vs. Temperature (B and B2 Versions)

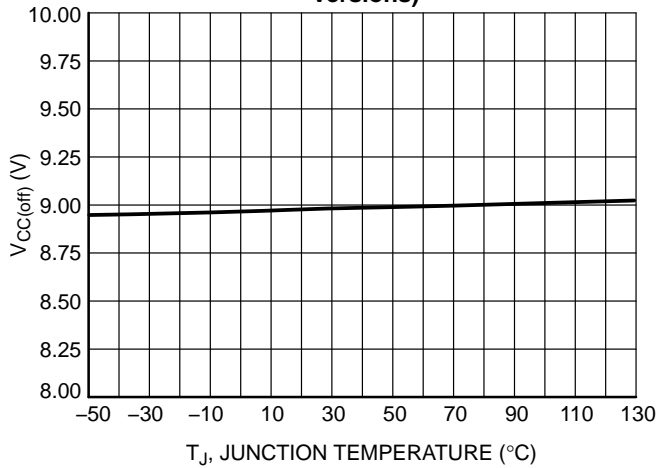


Figure 7. V_{CC} Minimum Operating Voltage, V_{CC} Falling ($V_{CC(off)}$) vs. Temperature

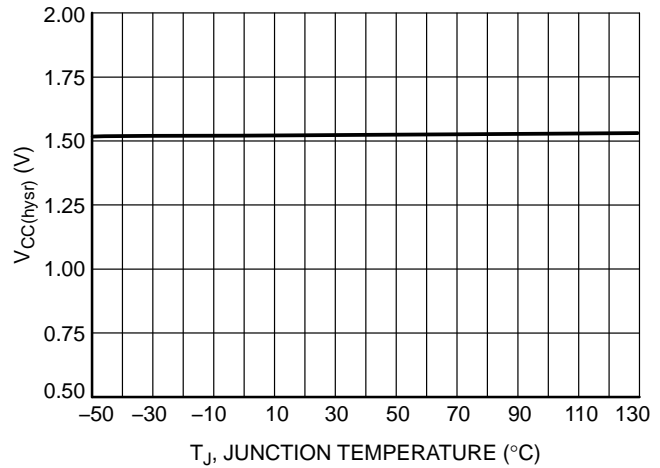


Figure 8. Hysteresis ($V_{CC(on)} - V_{CC(off)}$) vs. Temperature (A, A1, A2 and A3 Versions)

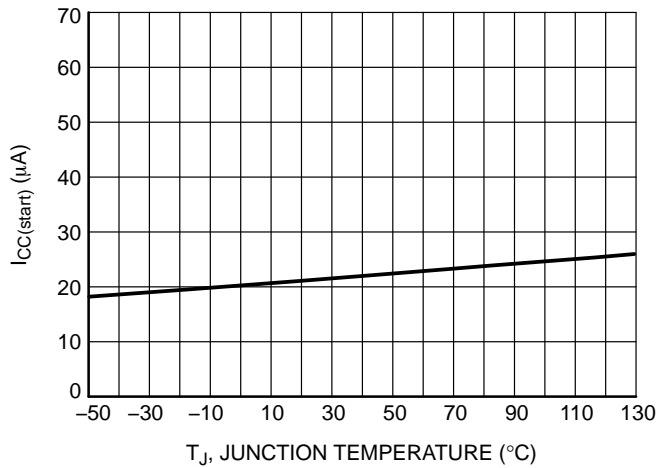


Figure 9. Start-up Current @ $V_{CC} = 9.4$ V vs. Temperature

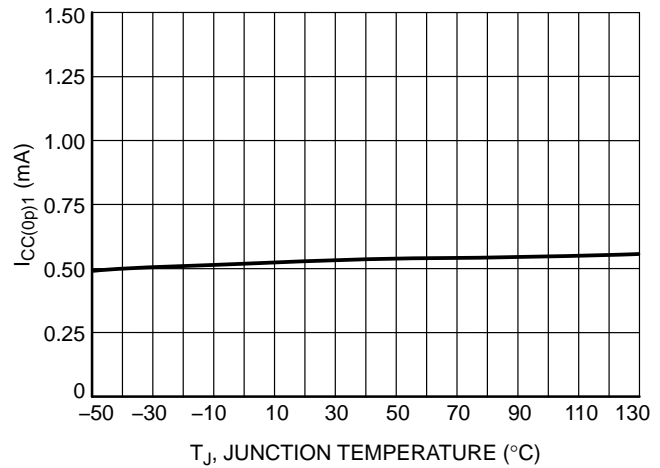


Figure 10. Operating Current, No Switching (V_{SENSE} Grounded) vs. Temperature

TYPICAL CHARACTERISTICS

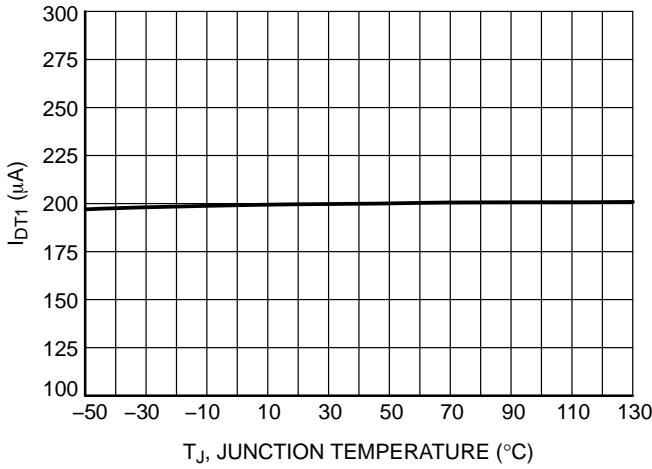


Figure 11. FFcontrol Pin Current, $V_{SENSE} = 1.4\text{ V}$ and $V_{CONTROL}$ Maximum vs. Temperature

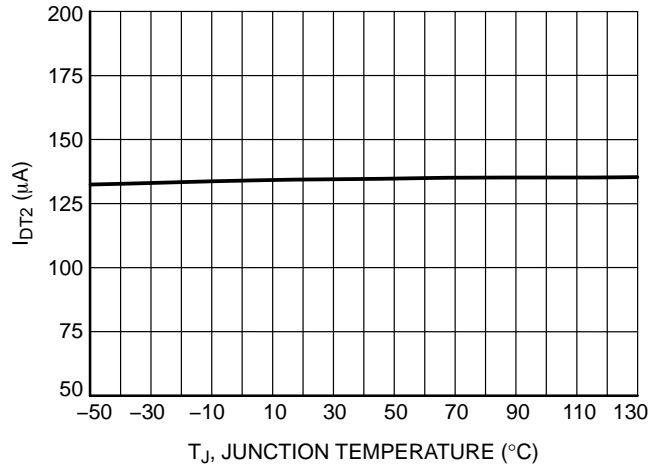


Figure 12. FFcontrol Pin Current, $V_{SENSE} = 2.8\text{ V}$ and $V_{CONTROL}$ Maximum vs. Temperature

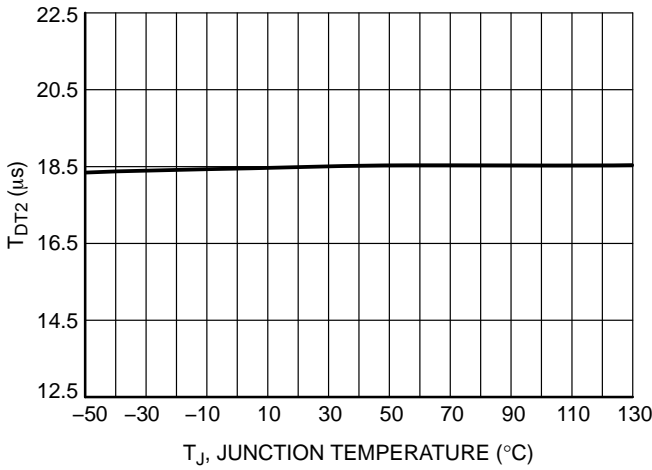


Figure 13. Dead-time, $V_{FFcontrol} = 1.75\text{ V}$ vs. Temperature

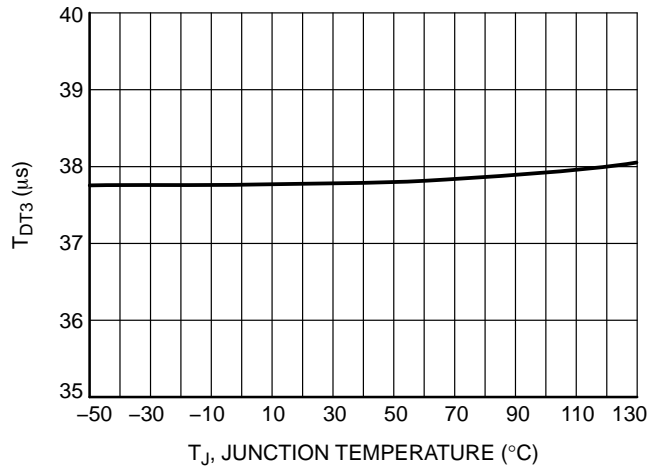


Figure 14. Dead-time, $V_{FFcontrol} = 1.00\text{ V}$ vs. Temperature

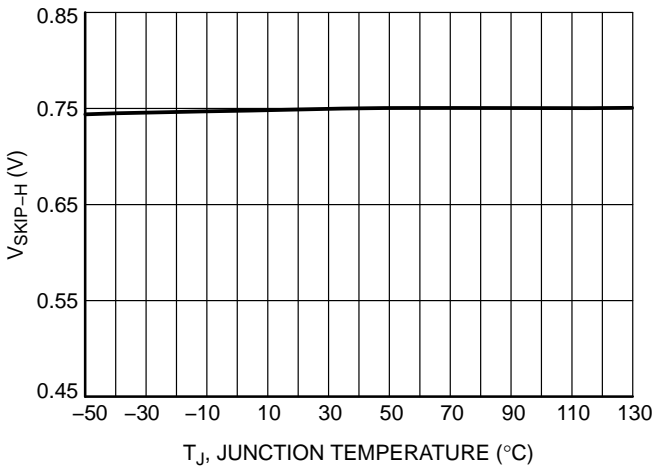


Figure 15. FFcontrol Pin Skip Level ($V_{FFcontrol}$ Rising) vs. Temperature

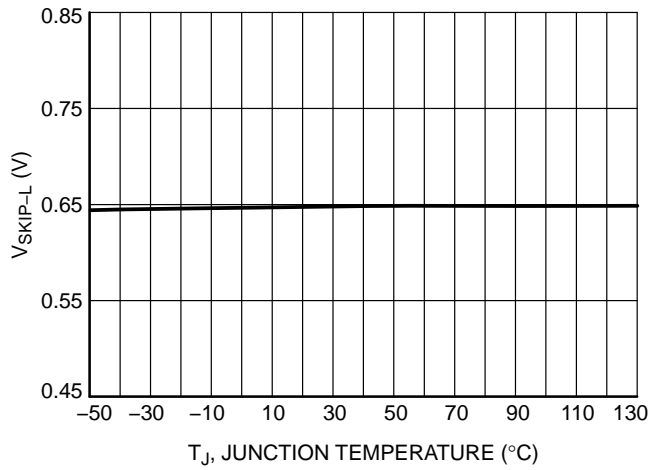


Figure 16. FFcontrol Pin Skip Level ($V_{FFcontrol}$ Falling) vs. Temperature

TYPICAL CHARACTERISTICS

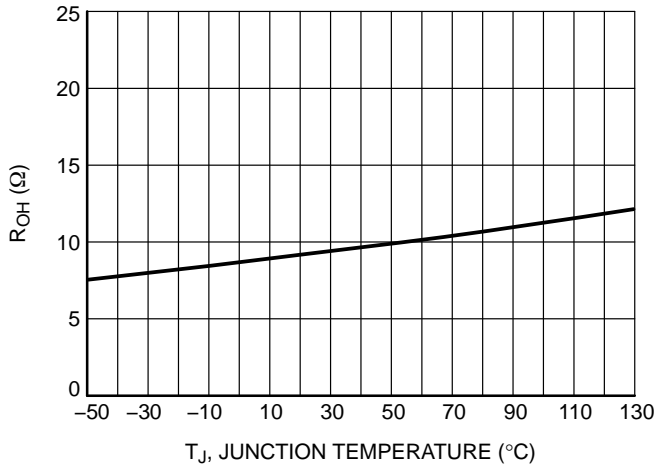


Figure 17. DRV Source Resistance vs. Temperature

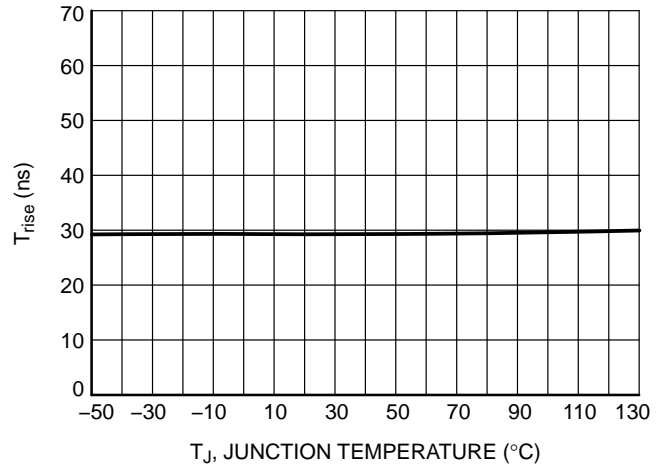


Figure 18. DRV Voltage Rise-time (C_L = 1 nF, 10–90% of Output Signal) vs. Temperature

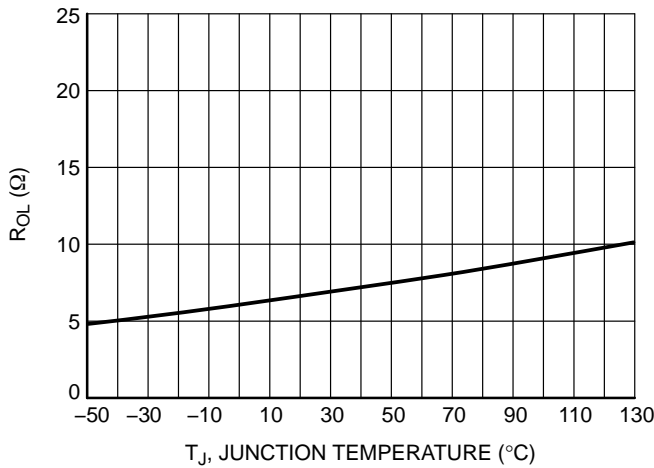


Figure 19. DRV Sink Resistance vs. Temperature

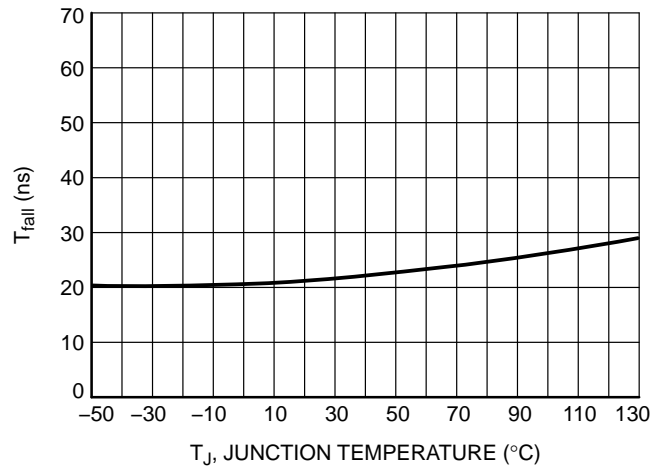


Figure 20. DRV Voltage Fall-time (C_L = 1 nF, 10–90% of Output Signal) vs. Temperature

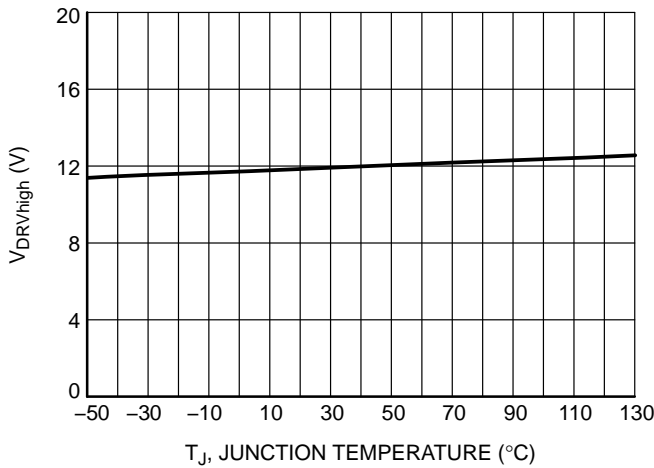


Figure 21. DRV Pin Level @ V_{CC} = 35 V (R_L = 33 kΩ, C_L = 1 nF) vs. Temperature

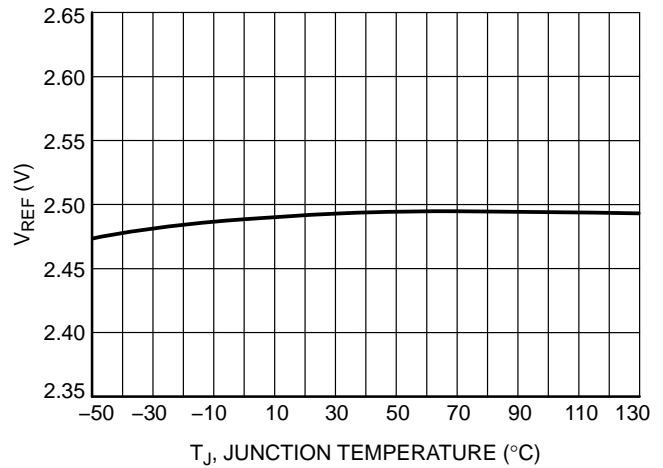


Figure 22. Feedback Reference Voltage vs. Temperature

TYPICAL CHARACTERISTICS

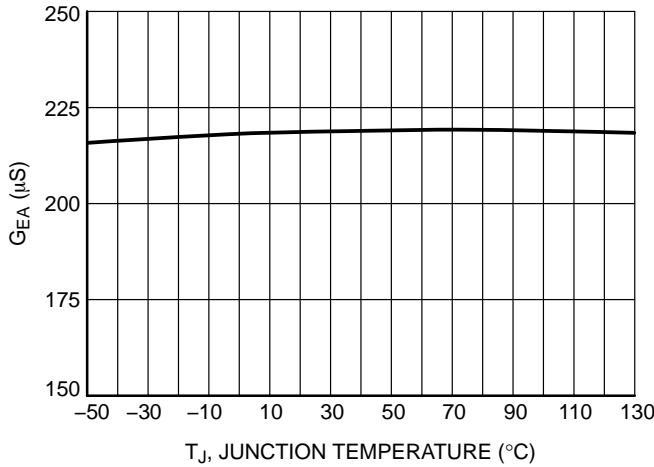


Figure 23. Error Amplifier Transconductance Gain vs. Temperature

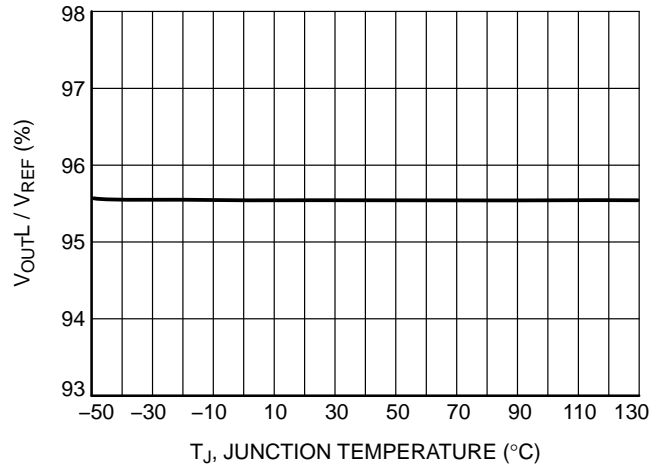


Figure 24. Ratio (V_{OUT} Low Detect Threshold / V_{REF}) vs. Temperature

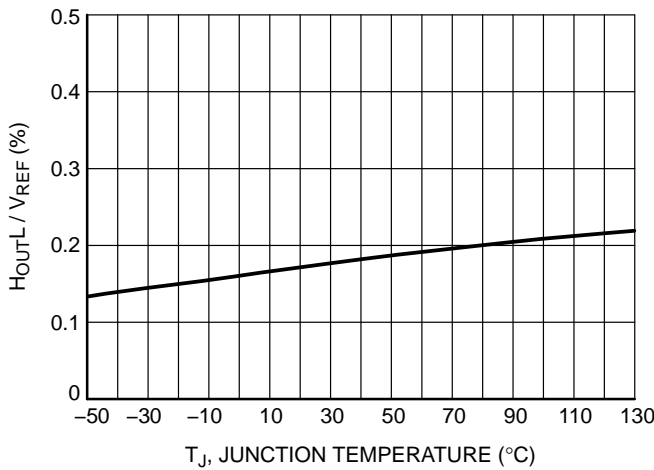


Figure 25. Ratio (V_{OUT} Low Detect Hysteresis / V_{REF}) vs. Temperature

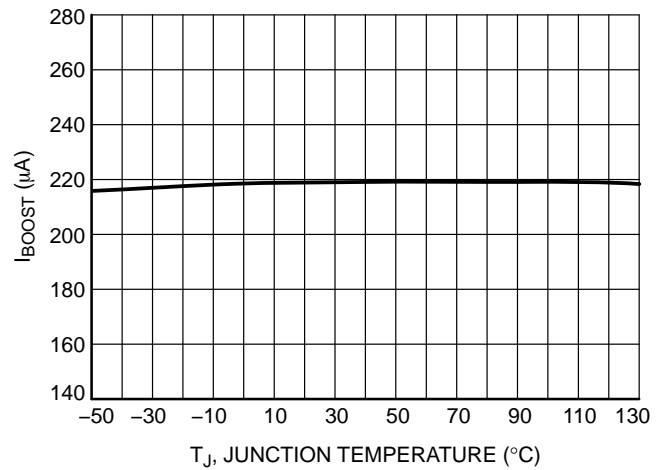


Figure 26. V_{CONTROL} Source Current when (V_{OUT} Low Detect) is Activated for Dynamic Response Enhancer (DRE) vs. Temperature

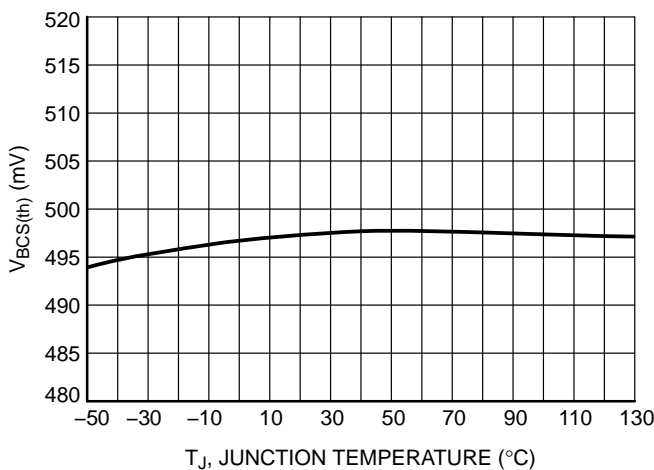


Figure 27. Current Sense Voltage Threshold vs. Temperature

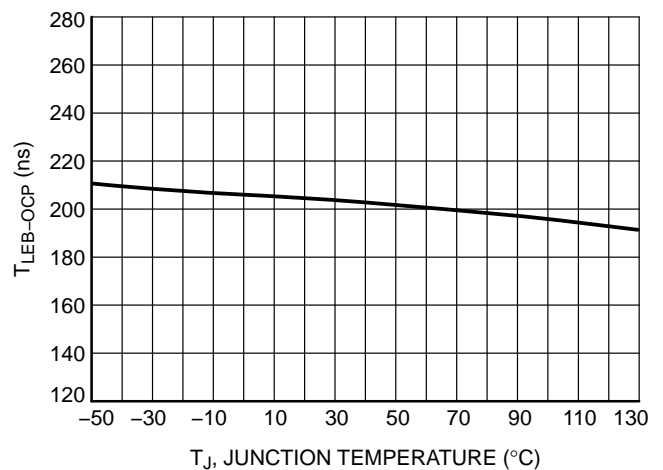


Figure 28. Over-current Protection Leading Edge Blanking vs. Temperature

TYPICAL CHARACTERISTICS

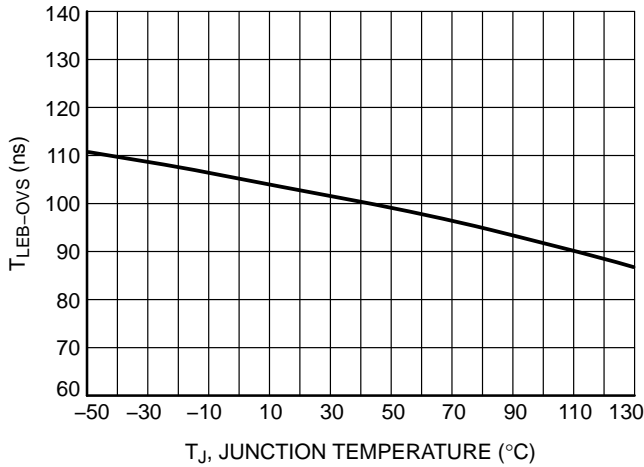


Figure 29. “Overstress” Protection Leading Edge Blanking vs. Temperature

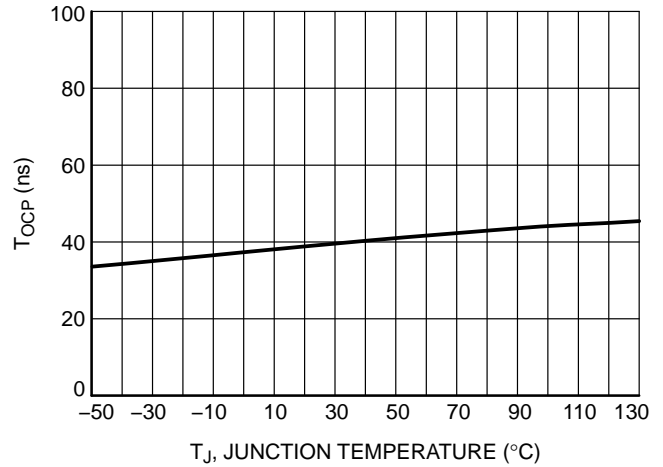


Figure 30. Over-current Protection Delay from $V_{CS/ZCD} > V_{CS(th)}$ to DRV Low ($dV_{CS/ZCD} / dt = 10 V/\mu s$) vs. Temperature

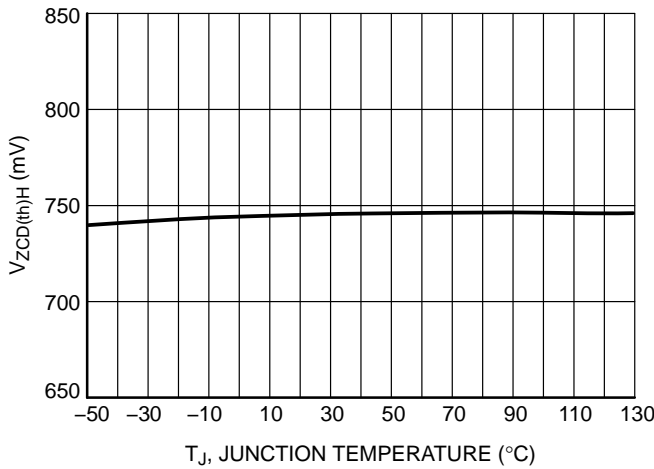


Figure 31. Zero Current Detection, $V_{CS/ZCD}$ Rising vs. Temperature

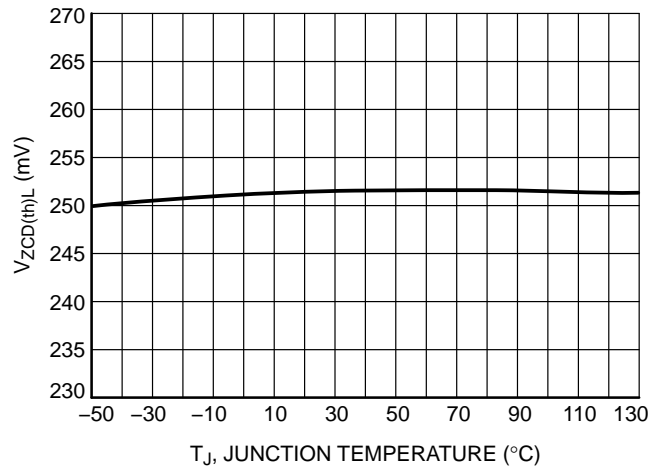


Figure 32. Zero Current Detection, $V_{CS/ZCD}$ Falling vs. Temperature

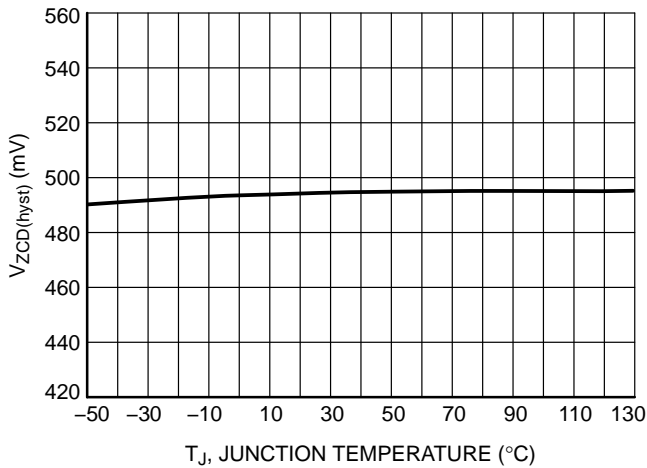


Figure 33. Hysteresis of the Zero Current Detection Comparator vs. Temperature

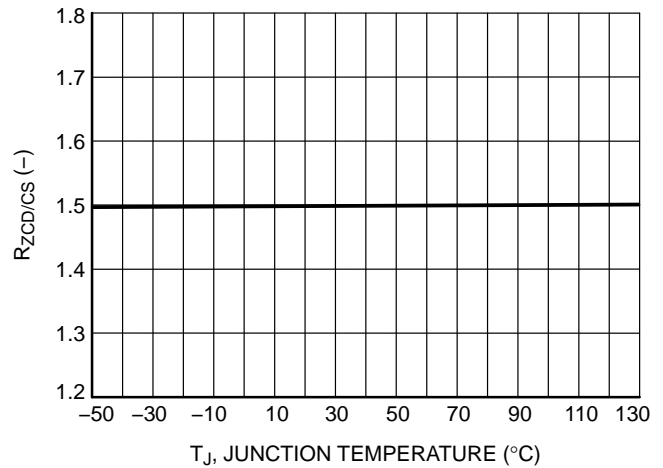


Figure 34. $V_{ZCD(th)}$ over $V_{CS(th)}$ Ratio vs. Temperature

TYPICAL CHARACTERISTICS

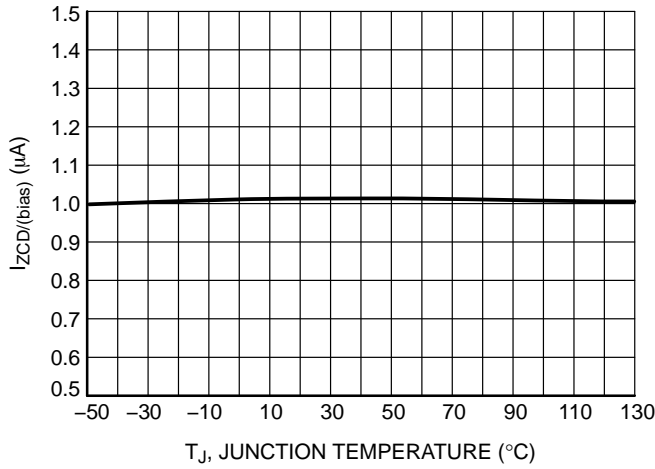


Figure 35. CS/ZCD Pin Bias Current @ V_{CS/ZCD} = 0.75 V vs. Temperature

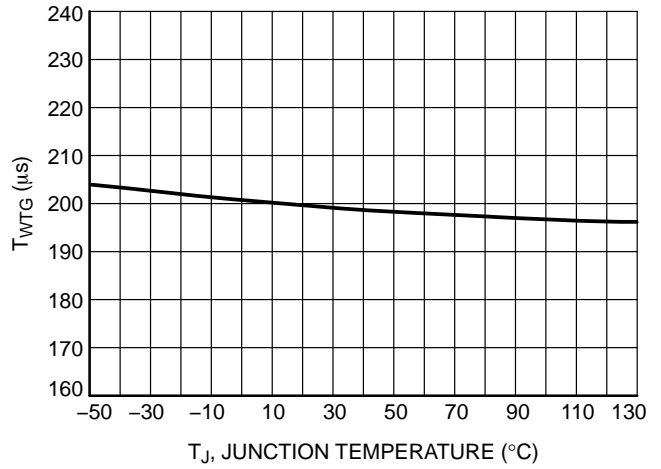


Figure 36. Watchdog Timer vs. Temperature

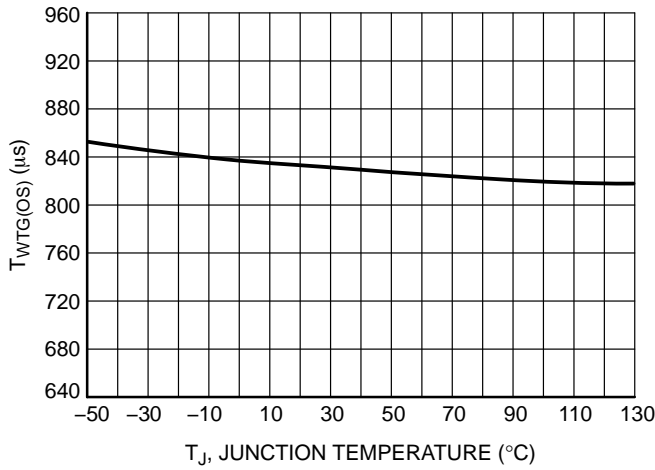


Figure 37. Watchdog Timer in "Overstress" Situation vs. Temperature

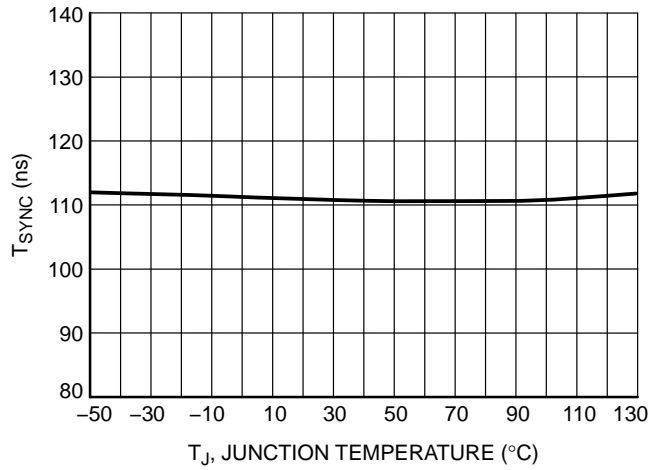


Figure 38. Minimum ZCD Pulse Width for ZCD Detection vs. Temperature

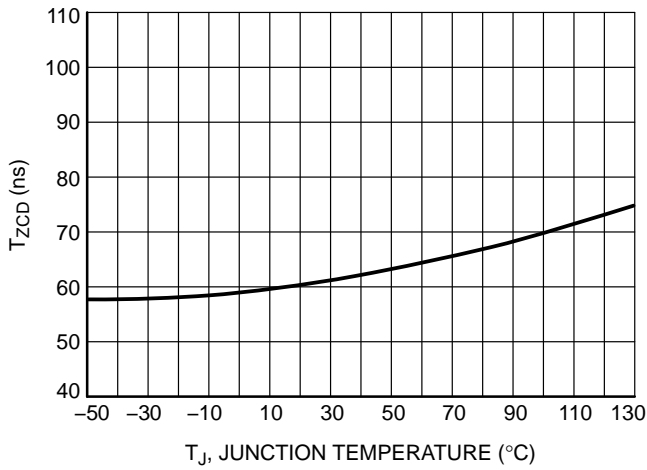


Figure 39. ((V_{CS/ZCD} < V_{ZCD(th)}) to DRV High) Delay vs. Temperature

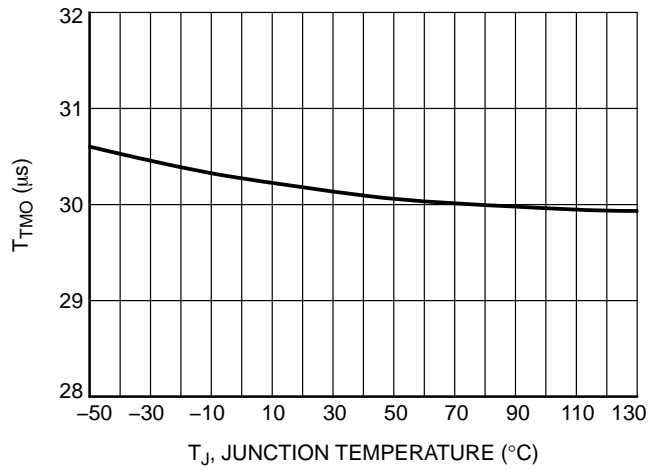


Figure 40. Timeout Timer vs. Temperature

TYPICAL CHARACTERISTICS

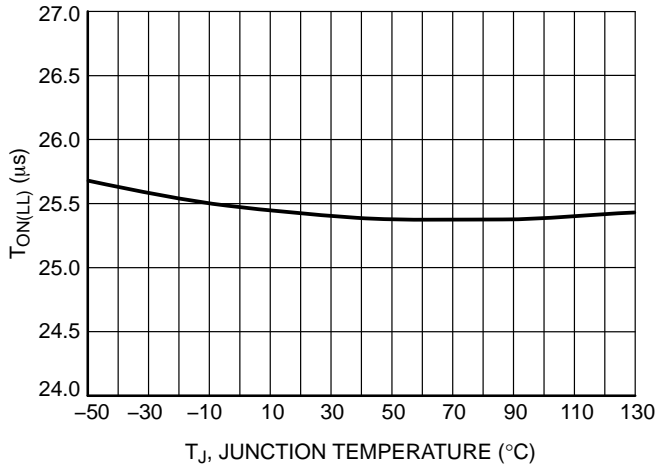


Figure 41. Maximum On Time @ $V_{SENSE} = 1.4\text{ V}$ vs. Temperature

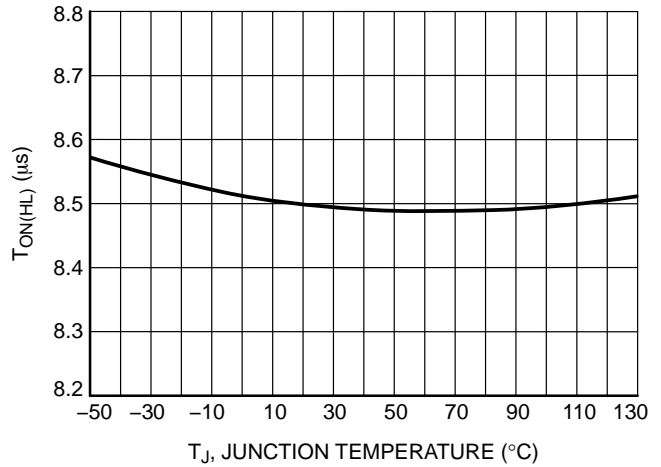


Figure 42. Maximum On Time @ $V_{SENSE} = 2.8\text{ V}$ vs. Temperature

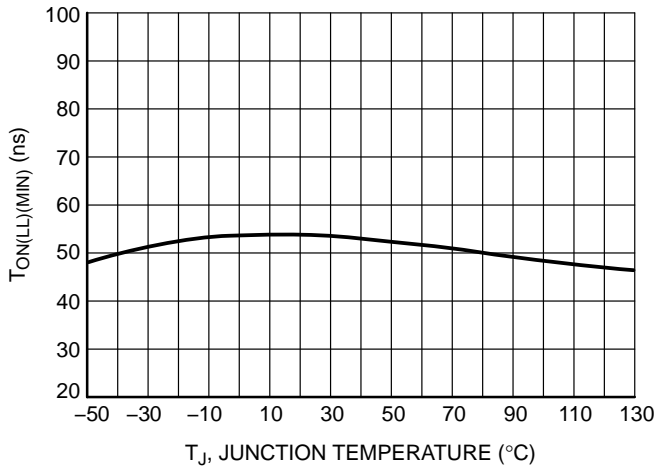


Figure 43. Minimum On Time @ $V_{SENSE} = 1.4\text{ V}$ vs. Temperature

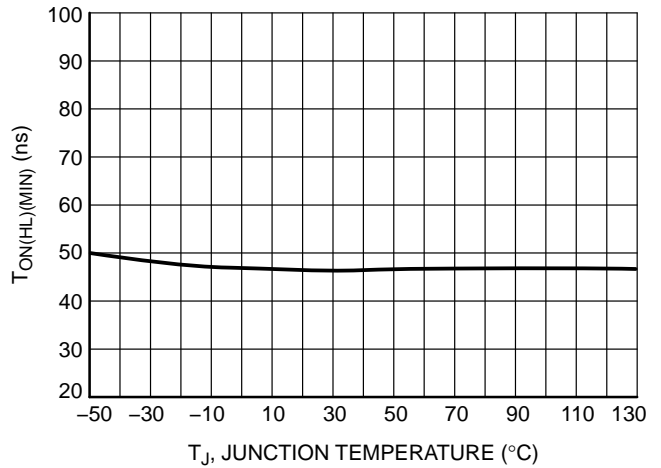


Figure 44. Minimum On Time @ $V_{SENSE} = 2.8\text{ V}$ vs. Temperature

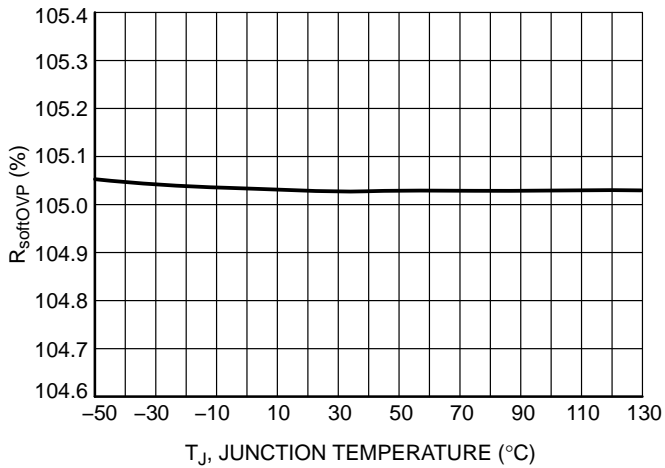


Figure 45. Ratio (Soft OVP Threshold, V_{FB} Rising) over V_{REF} vs. Temperature

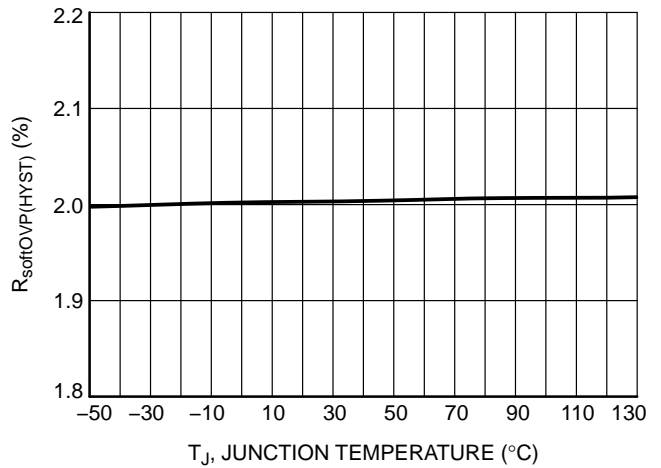


Figure 46. Ratio (Soft OVP Hysteresis) over V_{REF} vs. Temperature

TYPICAL CHARACTERISTICS

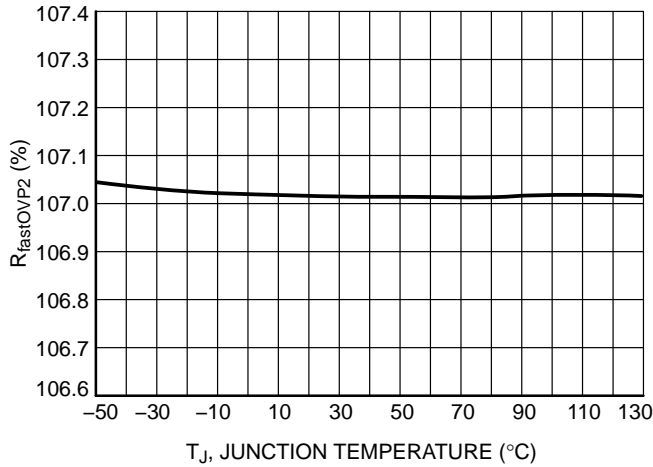


Figure 47. Ratio (fastOVP Threshold, V_{FOVP} Rising) over V_{REF} vs. Temperature

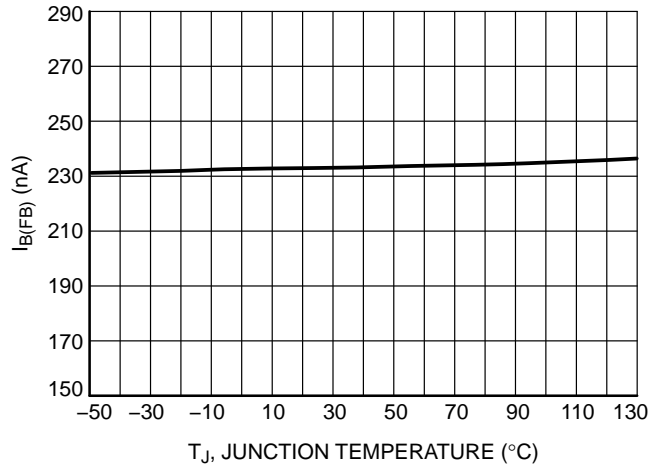


Figure 48. Feedback Pin Bias Current @ $V_{FB} = V_{OVP}$ vs. Temperature

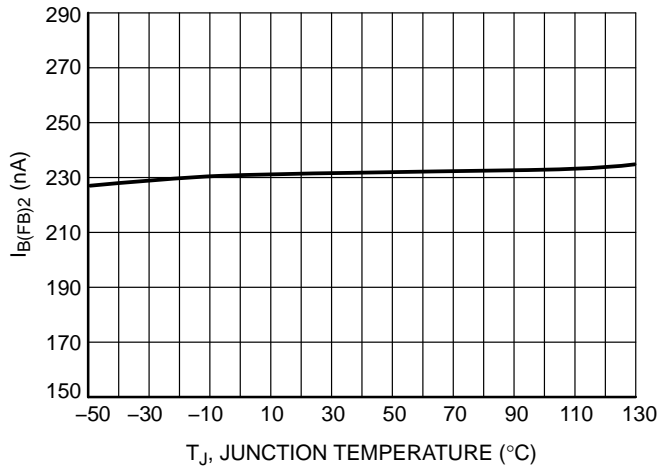


Figure 49. Feedback Pin Bias Current @ $V_{FB} = V_{UVP}$ vs. Temperature

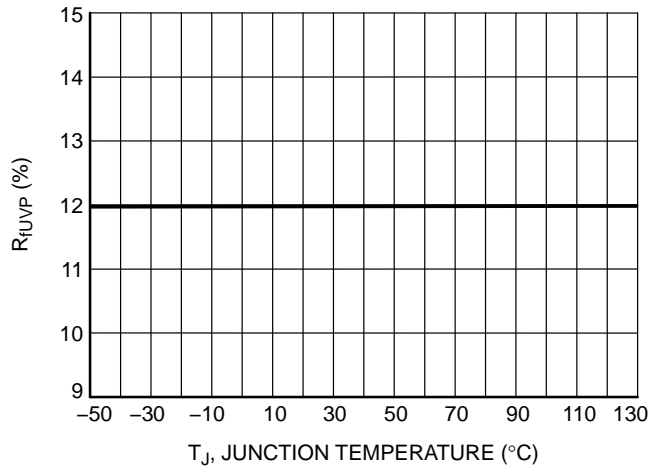


Figure 50. Ratio (UVP Threshold, V_{FB} Rising) over V_{REF} vs. Temperature

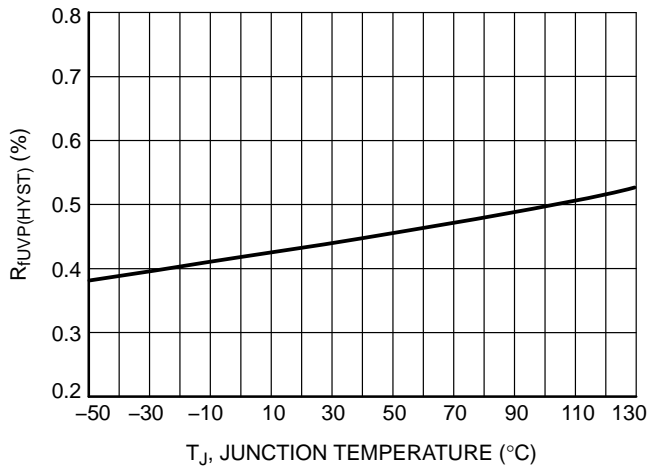


Figure 51. Ratio (UVP Hysteresis) over V_{REF} vs. Temperature

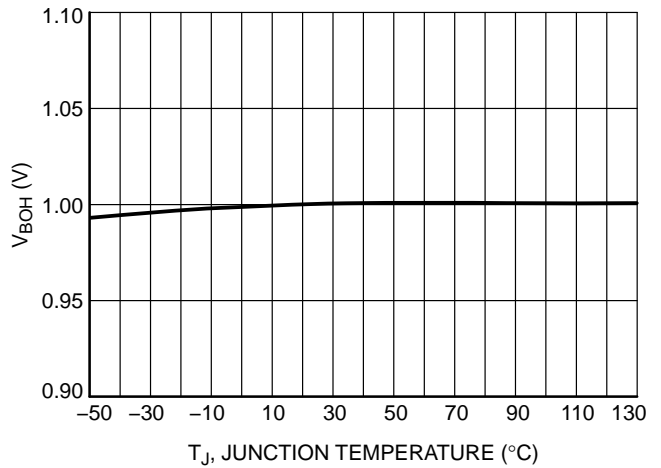


Figure 52. Brown-out Threshold, V_{SENSE} Rising vs. Temperature

TYPICAL CHARACTERISTICS

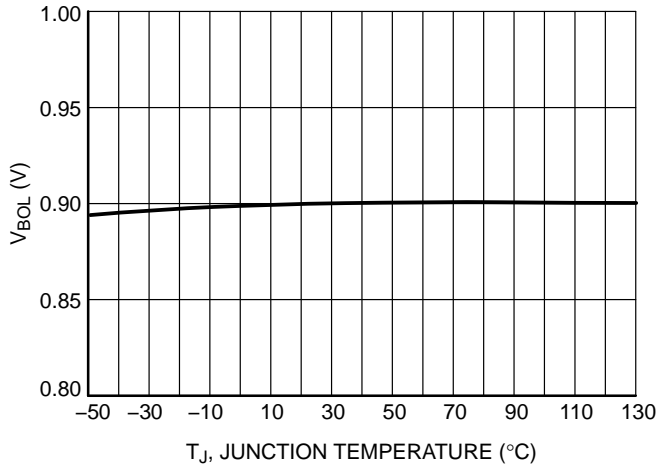


Figure 53. Brown-out Threshold, V_{SENSE} Falling vs. Temperature

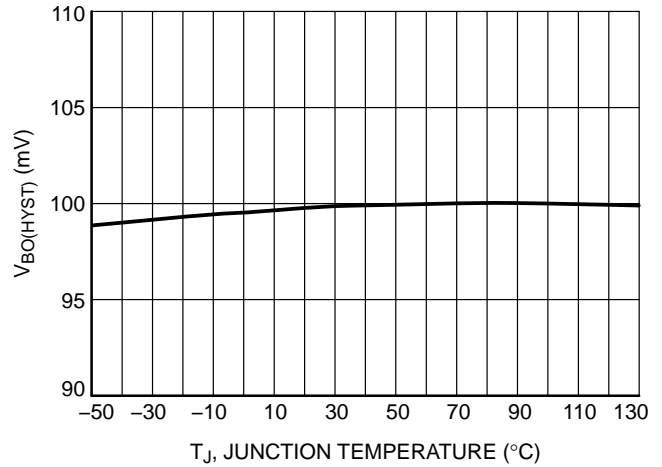


Figure 54. Brown-out Comparator Hysteresis vs. Temperature

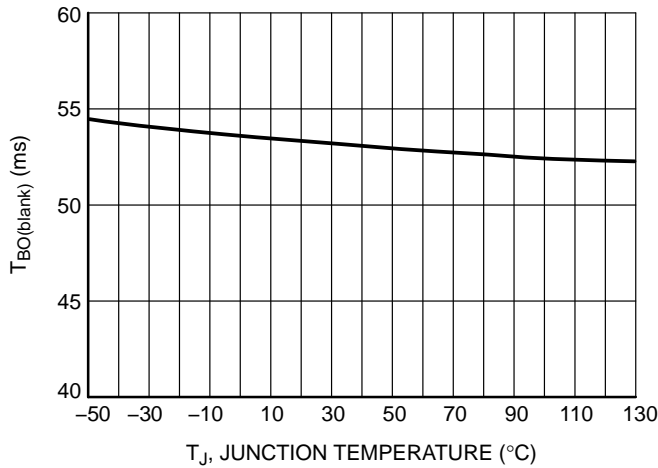


Figure 55. Brown-out Blanking Time vs. Temperature

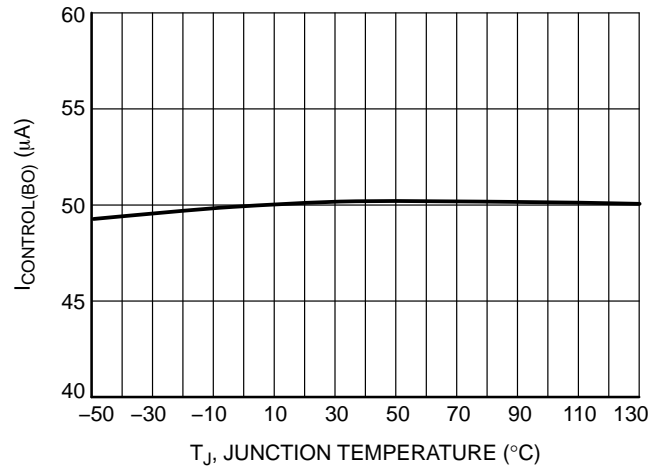


Figure 56. $V_{CONTROL}$ Pin Sink Current when a Brown-out Situation is Detected vs. Temperature

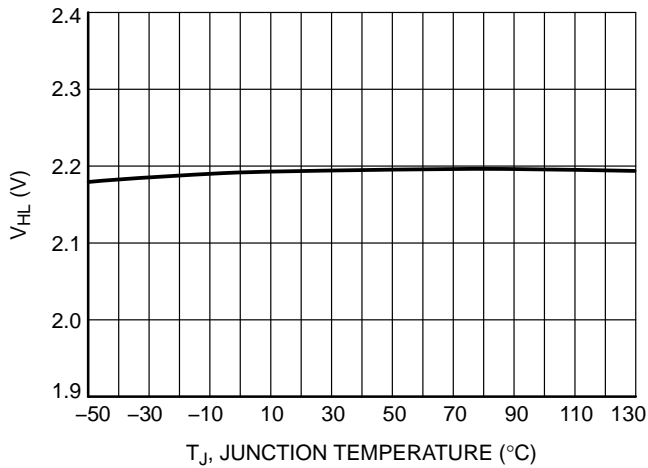


Figure 57. Comparator Threshold for Line Range Detection, V_{SENSE} Rising vs. Temperature

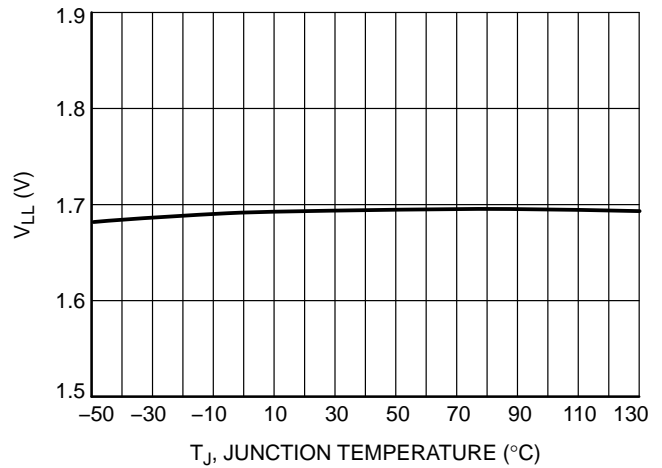


Figure 58. Comparator Threshold for Line Range Detection, V_{SENSE} Falling vs. Temperature

TYPICAL CHARACTERISTICS

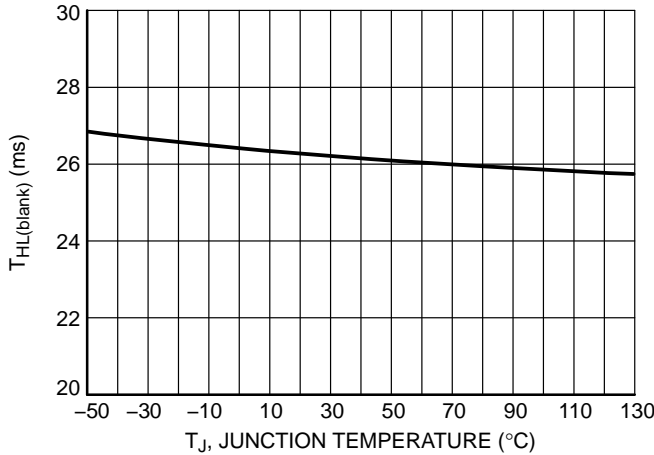


Figure 59. Blanking Time for Line Range Detection vs. Temperature

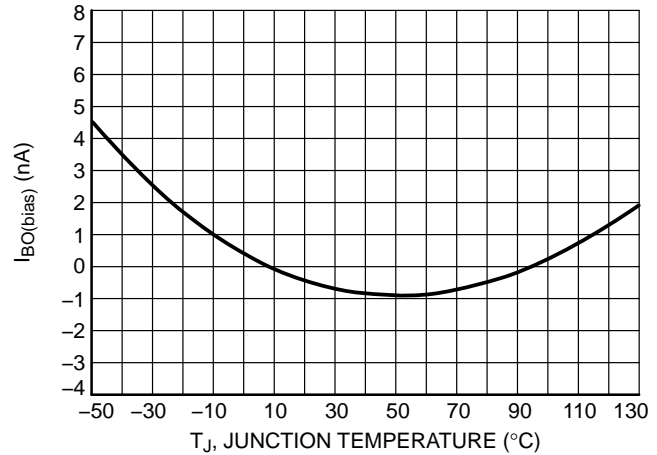


Figure 60. Brown-out Pin Bias Current, (V_{SENSE} = V_{BOH}) vs. Temperature

DETAILED OPERATING DESCRIPTION

Introduction

The NCP1612 is designed to optimize the efficiency of your PFC stage throughout the load range. In addition, it incorporates protection features for rugged operation. More generally, the NCP1612 is ideal in systems where cost-effectiveness, reliability, low stand-by power and high efficiency are the key requirements:

- **Current Controlled Frequency Fold-back:** the NCP1612 is designed to drive PFC boost stages in so-called Current Controlled Frequency Fold-back (CCFF). In this mode, the circuit classically operates in Critical conduction Mode (CrM) when the inductor current exceeds a programmable value. When the current is below this preset level, the NCP1612 linearly reduces the frequency down to about 20 kHz when the current is zero. CCFF maximizes the efficiency at both nominal and light load. In particular, stand-by losses are reduced to a minimum. Similarly to FCCrM controllers, an internal circuitry allows near-unity power factor even when the switching frequency is reduced.
- **Skip Mode:** to further optimize the efficiency, the circuit skips cycles near the line zero crossing when the current is very low. This is to avoid circuit operation when the power transfer is particularly inefficient at the cost of current distortion. When superior power factor is required, this function can be inhibited by offsetting the “FFcontrol” pin by 0.75 V.
- **Low Start-up Current and large V_{CC} range (B and B2 versions):** The consumption of the circuit is minimized to allow the use of high-impedance start-up resistors to pre-charge the V_{CC} capacitor. Also, the minimum value of the UVLO hysteresis is 6 V to avoid the need for large V_{CC} capacitors and help shorten the start-up time without the need for too dissipative start-up elements. The A, A1, A2 and A3 versions are preferred in applications where the circuit is fed by an external power source (from an

auxiliary power supply or from the downstream converter). Their maximum start-up level (11.25 V) is set low enough so that the circuit can be powered from a 12 V rail. After start-up, the high V_{CC} maximum rating allows a large operating range from 9.5 V up to 35 V.

- **pfcOK signal:** the pfcOK pin is to disable/enable the downstream converter. Grounded until the PFC output has reached its nominal level and whenever the NCP1612 detects a fault, it is in high-impedance when the PFC stage outputs the nominal bulk voltage. In addition, with the A, A1, A3 and B versions, the circuit latches off if a voltage exceeding 7.5 V is applied to pin 10.
- **Fast Line/Load Transient Compensation (Dynamic Response Enhancer):** since PFC stages exhibit low loop bandwidth, abrupt changes in the load or input voltage (e.g., at start-up) may cause excessive over- or under-shoot. This circuit limits possible deviations from the regulation level as follows:
 - The Soft Over-Voltage Protection contains the output voltage when it tends to become excessive.
 - The NCP1612 dramatically speeds-up the regulation loop when the output voltage goes below 95.5 % of its regulation level. In the versions targeting applications where V_{CC} is supplied by an external power supply or the downstream converter (A, A1, A2 and A3), this function is disabled until the PFC stage having started-up, pfcOK is in high state. This is to take benefit from the soft-start effect offered by the V_{CONTROL} pin gradual charge.
- **Safety Protections:** the NCP1612 permanently monitors the input and output voltages, the MOSFET current and the die temperature to protect the system from possible over-stress making the PFC stage extremely robust and reliable. In addition to the OVP protection, these methods of protection are provided:

NCP1612A, NCP1612B, NCP1612A1, NCP1612A2, NCP1612A3, NCP1612B2

- Maximum Current Limit: the circuit senses the MOSFET current and turns off the power switch if the set current limit is exceeded. In addition, the circuit enters a low duty-cycle operation mode when the current reaches 150% of the current limit as a result of the inductor saturation or a short of the bypass diode.
- Under-Voltage Protection: this circuit turns off when it detects that the output voltage is below 12% of the voltage reference (typically). This feature protects the PFC stage if the ac line is too low or if there is a failure in the feedback network (e.g., bad connection).
- Fast Over-Voltage Detection (Fast OVP): the FOVP pin provides a redundant protection in the case of an excessive output voltage level. Note that with the NCP1612A2 and NCP1612B2 versions, the fast OVP latches off the circuit.
- Bulk Under-Voltage Detection (BUV): The BUV function is implemented to prevent the downstream converter from operating when the buck voltage is too low. Practically, the BUV comparator monitors the FOVP pin (NCP1612A, NCP1612A1, NCP1612A3 and NCP1612B) or the FB pin (NCP1612A2, NCP1612B2) to disable the driver, gradually discharge the control pin and ground the pfcOK pin when the sensed voltage drops below the BUV threshold (40% of the 2.5 V reference voltage with the A1/A3 version, 76% with the other versions). The BUV function has no action whenever the pfcOK pin is in low state.
- Brown-Out Detection: the circuit detects low ac line conditions and stops operation thus protecting the PFC stage from excessive stress.
- Thermal Shutdown: an internal thermal circuitry disables the gate drive when the junction temperature exceeds 150°C (typically). The circuit resumes operation once the temperature drops below approximately 100°C (50°C hysteresis).
- Output Stage Totem Pole: the NCP1612 incorporates a –0.5 A/+0.8 A gate driver to efficiently drive most TO220 or TO247 power MOSFETs.

NCP1612 Operation Modes

As mentioned, the NCP1612 PFC controller implements a **Current Controlled Frequency Fold-back (CCFF)** where:

- The circuit operates in classical **Critical conduction Mode (CrM)** when the inductor current exceeds a programmable value.
- When the current is below this preset level, the NCP1612 linearly reduces the operating frequency down to about 20 kHz when the current is zero.

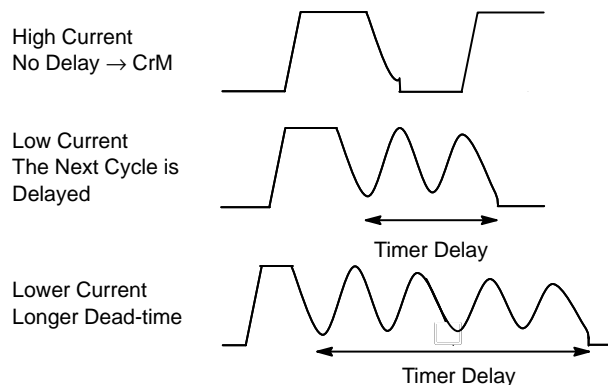


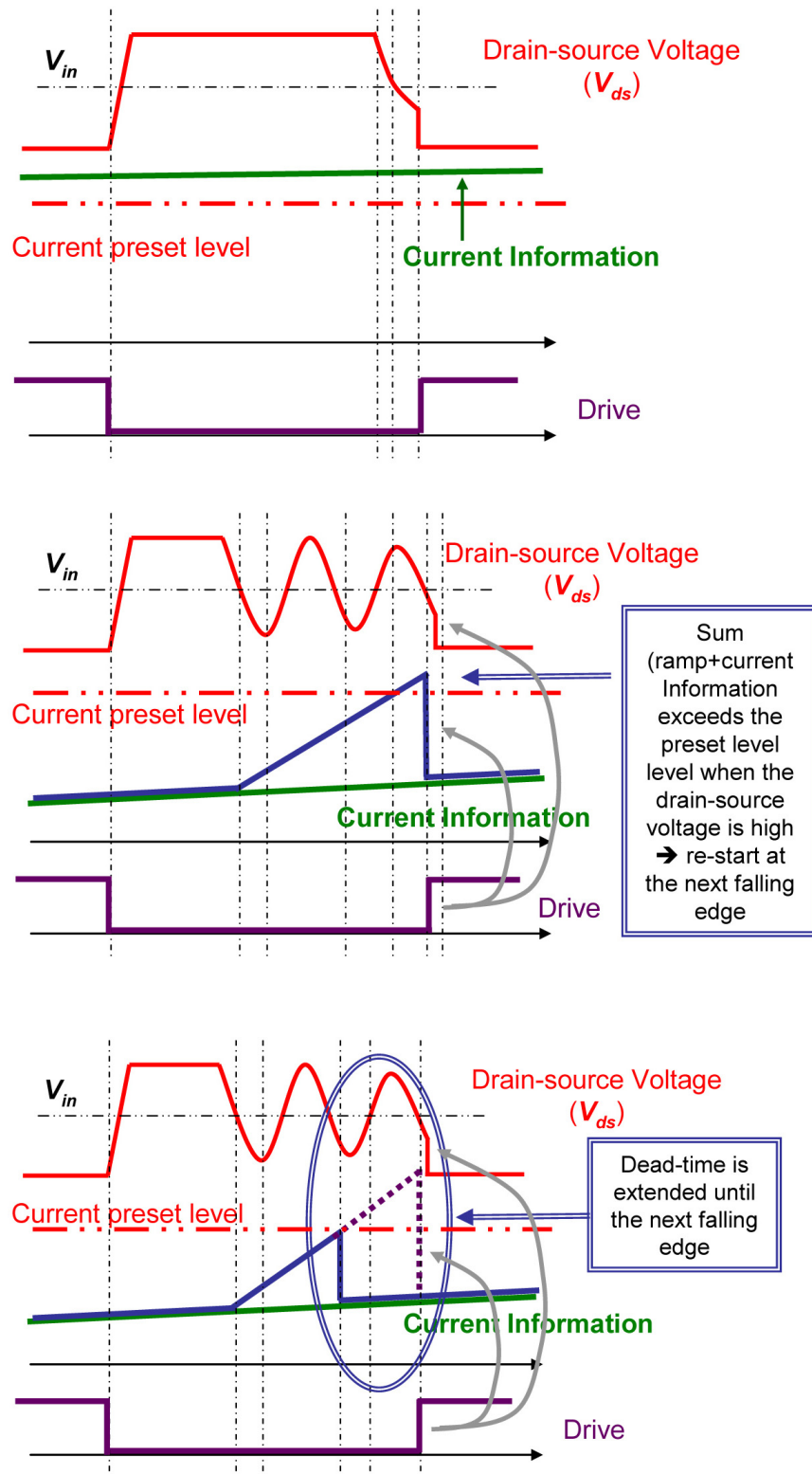
Figure 61. CCFF Operation

As illustrated in Figure 61, under high load conditions, the boost stage is operating in CrM but as the load is reduced, the controller enters controlled frequency discontinuous operation.

Figure 62 details the operation. A voltage representative of the input current (“current information”) is generated. If this signal is higher than a 2.5 V internal reference (named “Dead-time Ramp Threshold” in Figure 62), there is no dead-time and the circuit operates in CrM. If the current information is lower than the 2.5 V threshold, a dead-time is inserted that lasts for the time necessary for the internal ramp to reach 2.5 V from the current information floor. Hence, the lower the current information is, the longer the dead-time. For all versions except NCP1612A3, the maximum dead-time is

approximately 48.5 μs when the current information is 0.65 V typically. The NCP1612A3 limits the maximum dead-time to 41.5 μs typically when the current information is 0.90 V typically. In both cases, if the current information further decreases, the circuit enters skip mode (see next section).

To further reduce the losses, the MOSFET turns on is stretched until its drain-source voltage is at its valley. As illustrated in Figure 62, the ramp is synchronized to the drain-source ringing. If the ramp exceeds the 2.5 V threshold while the drain-source voltage is below V_{in} , the ramp is extended until it oscillates above V_{in} so that the drive will turn on at the next valley.



Top: CrM operation when the current information exceeds the preset level during the demagnetization phase

Middle: the circuit re-starts at the next valley if the sum (ramp + current information) exceeds the preset level during the dead-time, while the drain-source voltage is high

Bottom: the sum (ramp + current information) exceeds the preset level while during the dead-time, the drain-source voltage is low. The circuit skips the current valley and re-starts at the following one.

Figure 62. Dead-Time generation

Current Information Generation

The “FFcontrol” pin sources a current that is representative of the input current. In practice, I_{pin5} is built by multiplying the internal control signal (V_{REGUL} , i.e., the internal signal that controls the on-time) by the sense voltage (pin 4) that is proportional to the input voltage. The

multiplier gain (K_m of Figure 63) is three times less in high-line conditions (that is when the “LLine” signal from the brown-out block is in low state) so that I_{pin5} provides a voltage representative of the input current across resistor R_{FF} placed between pin 5 and ground. Pin 5 voltage is the current information.

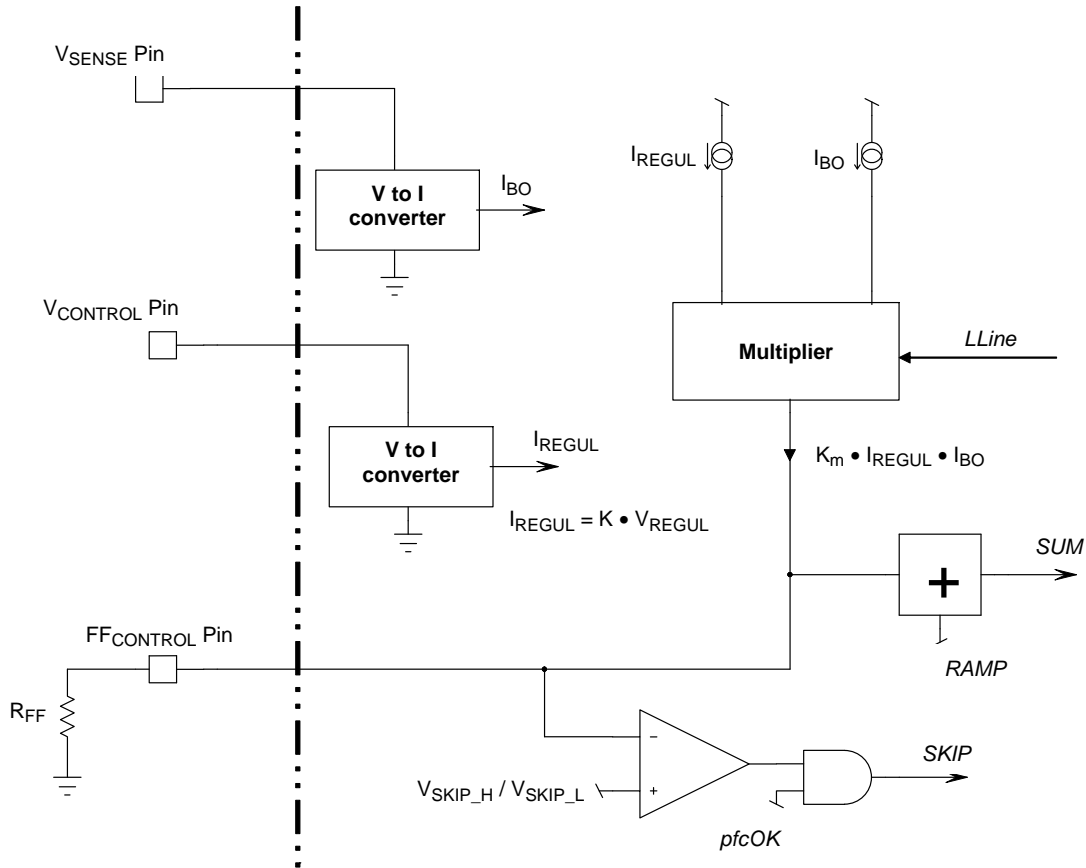


Figure 63. Generation of the Current Information

Skip Mode

As illustrated in Figure 63, the circuit also skips cycles near the line zero crossing where the current is very low. A comparator monitors the pin 5 voltage (“FFcontrol” voltage) and inhibits the switching operation when V_{pin5} is lower than V_{SKIP_L} (0.90 V typically for the NCP1612A3, 0.65 V for the other versions). Switching resumes when V_{pin5} exceeds V_{SKIP_H} (1 V typically for the NCP1612A3, 0.75 V for the other versions). This function prevents circuit operation when the power transfer is particularly inefficient at the expense of slightly increased current distortion. When superior power factor is needed, this function can be

inhibited offsetting the “FFcontrol” pin by a voltage higher than V_{SKIP_H} . The skip mode capability is disabled whenever the PFC stage is not in nominal operation (as dictated by the “pfcOK” signal – see block diagram and “pfcOK Internal Signal” Section).

The circuit does not abruptly interrupt the switching when V_{pin5} goes below V_{SKIP_L} . Instead, the signal V_{TON} that controls the on-time is gradually decreased by grounding the V_{REGUL} signal applied to the V_{TON} processing block (see Figure 68). Doing so, the on-time smoothly decays to zero in 3 to 4 switching periods typically. Figure 64 shows the practical implementation.

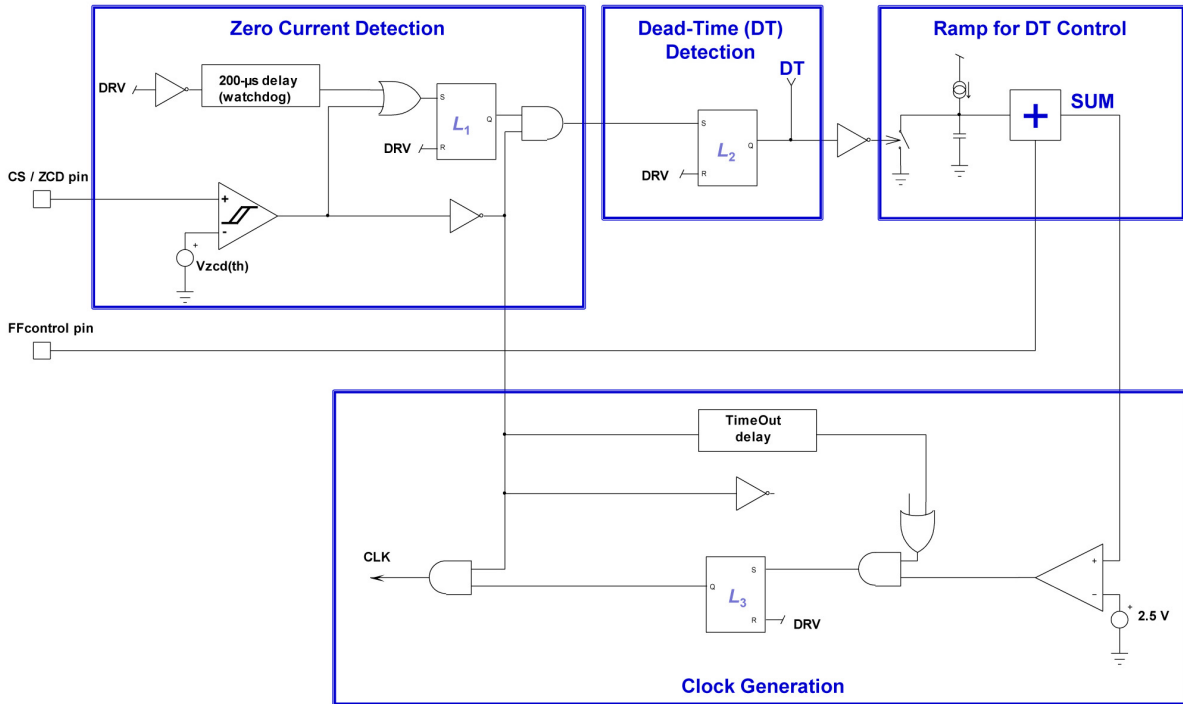


Figure 64. CCFF Practical Implementation

CCFF maximizes the efficiency at both nominal and light load. In particular, the stand-by losses are reduced to a minimum. Also, this method avoids that the system stalls between valleys. Instead, the circuit acts so that the PFC

stage transitions from the n valley to $(n + 1)$ valley or vice versa from the n valley to $(n - 1)$ cleanly as illustrated by Figure 65.

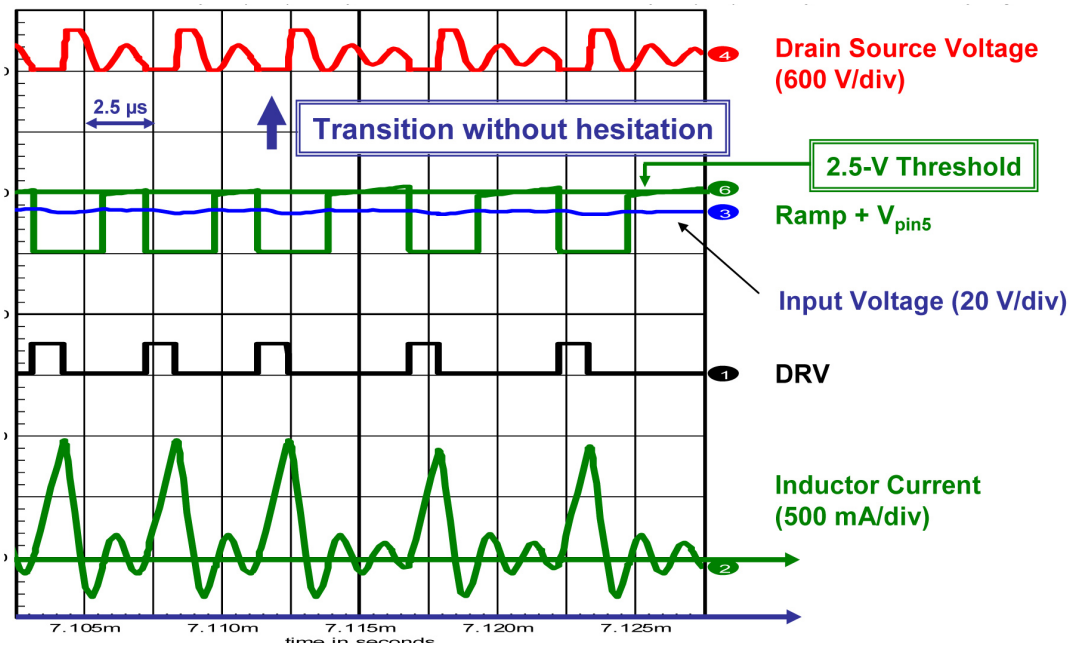


Figure 65. Clean Transition Without Hesitation Between Valleys

NCP1612 On-time Modulation

Let's analyze the ac line current absorbed by the PFC boost stage. The initial inductor current at the beginning of each switching cycle is always zero. The coil current ramps up when the MOSFET is *on*. The slope is (V_{IN}/L) where L is the coil inductance. At the end of the on-time (t_1), the inductor starts to demagnetize. The inductor current ramps down until it reaches zero. The duration of this phase is (t_2). In some cases, the system enters then the dead-time (t_3) that lasts until the next clock is generated.

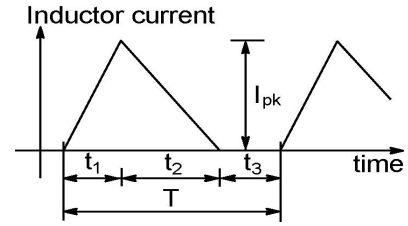
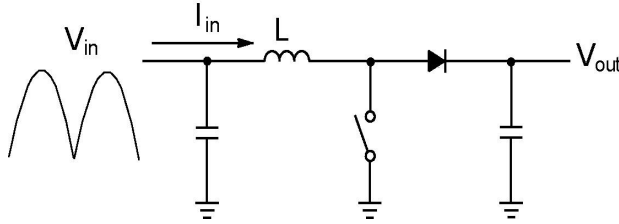


Figure 66. PFC Boost Converter (left) and Inductor Current in DCM (right)

The NCP1612 operates in voltage mode. As portrayed by Figure 67, the MOSFET on-time t_1 is controlled by the signal V_{ton} generated by the regulation block and an internal ramp as follows:

$$t_1 = \frac{C_{ramp} \cdot V_{ton}}{I_{ch}} \quad (eq. 2)$$

The charge current is constant at a given input voltage (as mentioned, it is three times higher at high line compared to its value at low line). C_{ramp} is an internal capacitor.

The output of the regulation block ($V_{CONTROL}$) is linearly transformed into a signal (V_{REGUL}) varying between 0 and 1 V. (V_{REGUL}) is the voltage that is injected into the PWM section to modulate the MOSFET duty-cycle. The NCP1612 includes some circuitry that processes (V_{REGUL}) to form the signal (V_{ton}) that is used in the PWM section (see Figure 68). (V_{ton}) is modulated in response to the dead-time sensed during the precedent current cycles, that is, for a proper shaping of the ac line current. This modulation leads to:

$$V_{ton} = \frac{T \cdot V_{REGUL}}{t_1 + t_2} \quad (eq. 3)$$

or

$$V_{ton} \cdot \frac{t_1 + t_2}{T} = V_{REGUL}$$

Given the low regulation bandwidth of the PFC systems, ($V_{CONTROL}$) and then (V_{REGUL}) are slow varying signals. Hence, the $(V_{ton} \times (t_1 + t_2)/T)$ term is substantially constant. Provided that in addition, (t_1) is proportional to (V_{ton}), Equation 1 leads to: , where k is a constant. More exactly:

$$I_{in} = k \cdot V_{in}$$

One can show that the ac line current is given by:

$$I_{in} = V_{in} \left[\frac{t_1(t_1 + t_2)}{2TL} \right] \quad (eq. 1)$$

Where $T = (t_1 + t_2 + t_3)$ is the switching period and V_{in} is the ac line rectified voltage.

In light of this equation, we immediately note that I_{in} is proportional to V_{in} if $[t_1(t_1 + t_2) / T]$ is a constant.

where:

$$k = constant = \left[\frac{1}{2L} \cdot \frac{V_{REGUL}}{(V_{REGUL})_{max}} \cdot t_{on,max} \right]$$

Where $t_{on,max}$ is the maximum on-time obtained when V_{REGUL} is at its $(V_{REGUL})_{max}$ maximum level. The parametric table shows that $t_{on,max}$ is equal to 25 μs ($T_{ON(LL)}$) at low line and to 8.5 μs ($T_{ON(HL)}$) at high line (when pin4 happens to exceeds 1.8 V with a pace higher than 40 Hz – see BO 25 ms blanking time).

Hence, we can re-write the above equation as follows:

$$I_{in} = \frac{V_{in} \cdot T_{ON(LL)}}{2 \cdot L} \cdot \frac{V_{REGUL}}{(V_{REGUL})_{max}}$$

at low line.

$$I_{in} = \frac{V_{in} \cdot T_{ON(HL)}}{2 \cdot L} \cdot \frac{V_{REGUL}}{(V_{REGUL})_{max}}$$

at high line.

From these equations, we can deduce the expression of the average input power:

$$P_{in,avg} = \frac{(V_{in,rms})^2 \cdot V_{REGUL} \cdot T_{ON(LL)}}{2 \cdot L \cdot (V_{REGUL})_{max}}$$

at low line.

$$P_{in,avg} = \frac{(V_{in,rms})^2 \cdot V_{REGUL} \cdot T_{ON(HL)}}{2 \cdot L \cdot (V_{REGUL})_{max}}$$

at high line.

Where $(V_{REGUL})_{max}$ is the V_{REGUL} maximum value.

Hence, the maximum power that can be delivered by the PFC stage is:

$$(P_{in,avg})_{max} = \frac{(V_{in,rms})^2 \cdot T_{ON(LL)}}{2 \cdot L}$$

at low line.

$$(P_{in,avg})_{max} = \frac{(V_{in,rms})^2 \cdot T_{ON(HL)}}{2 \cdot L}$$

at high line.

The input current is then proportional to the input voltage. Hence, the ac line current is properly shaped.

One can note that this analysis is also valid in the CrM case. This condition is just a particular case of this functioning where ($t_3 = 0$), which leads to ($t_1 + t_2 = T$) and ($V_{TON} = V_{REGUL}$). That is why the NCP1612 automatically

adapts to the conditions and transitions from DCM and CrM (and vice versa) without power factor degradation and without discontinuity in the power delivery.

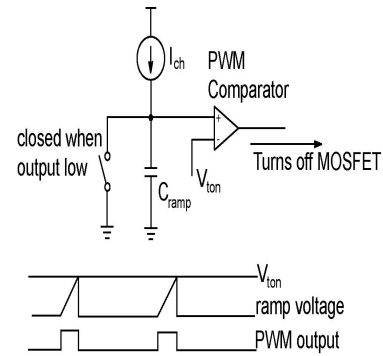


Figure 67. PWM circuit and timing diagram.

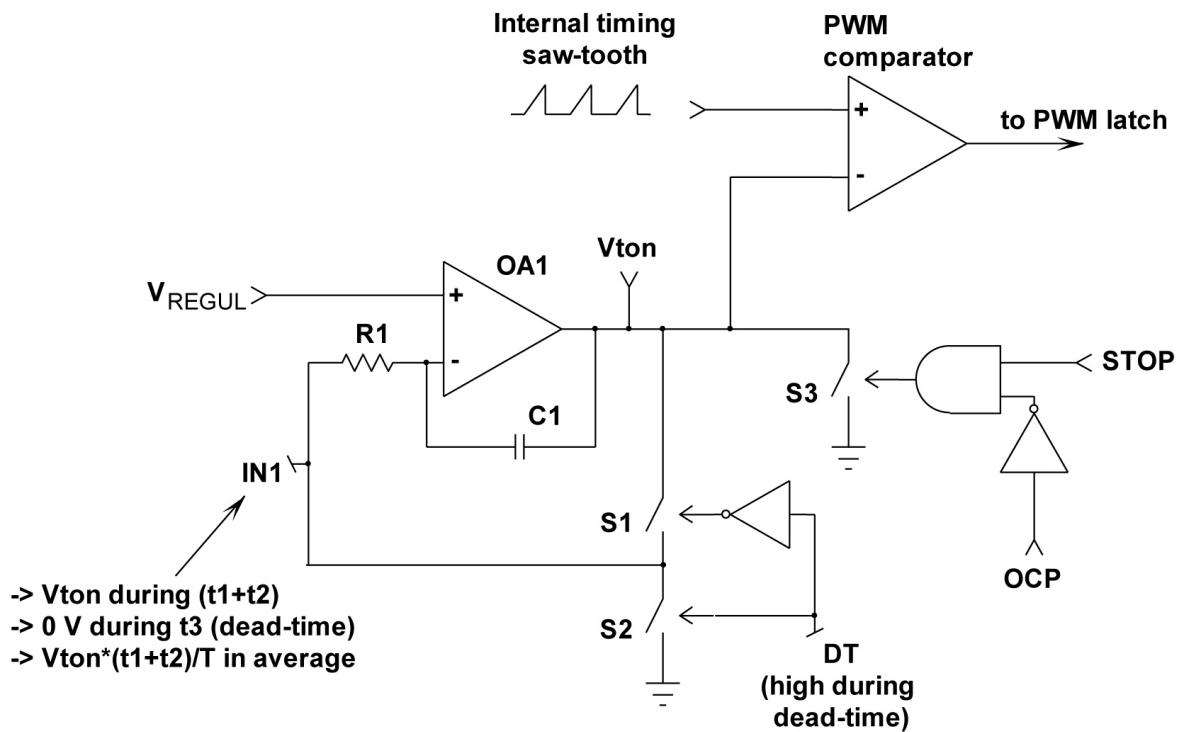


Figure 68. V_{TON} Processing Circuit. The integrator OA1 amplifies the error between V_{REGUL} and $IN1$ so that on average, $(V_{TON} \cdot (t_1+t_2)/T)$ equates V_{REGUL} .

Remark:

The “ V_{ton} processing circuit” is “informed” when a condition possibly leading to a long interruption of the drive activity (functions generating the STOP signal that disables the drive – see block diagram – except OCP, i.e., BUV_fault, OVP, OverStress, SKIP, staticOVP and OFF). Otherwise, such situations would be viewed as a normal dead-time phase and V_{ton} would inappropriately over-dimension V_{ton} to compensate it. Instead, as illustrated in Figure 68, the V_{ton} signal is grounded leading to a short soft-start when the circuit recovers.

Regulation Block and Low Output Voltage Detection

A trans-conductance error amplifier (OTA) with access to the inverting input and output is provided. It features a typical trans-conductance gain of 200 μS and a maximum capability of $\pm 20 \mu A$. The output voltage of the PFC stage is typically scaled down by a resistors divider and monitored by the inverting input (pin 2). Bias current is minimized (less than 500 nA) to allow the use of a high impedance feed-back network. However, it is high enough so that the pin remains in low state if the pin is not connected.

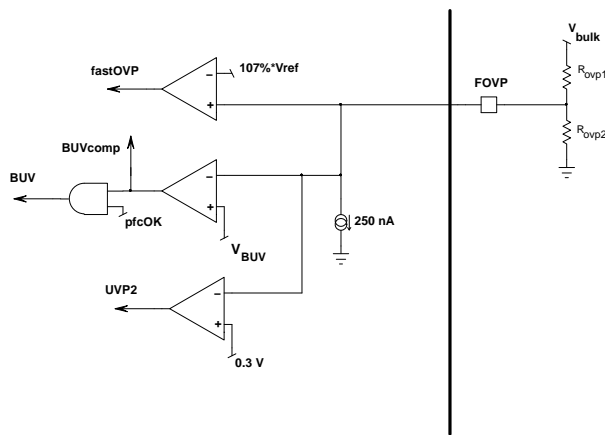
NCP1612A, NCP1612B, NCP1612A1, NCP1612A2, NCP1612A3, NCP1612B2

the bulk voltage cannot exceed the level set by the soft OVP function ($V_{out,sovp} = 105\% \times V_{out,nom}$, see precedent section). This second protection offers some redundancy for a higher safety level. The FOVP threshold is set 2% higher than the soft OVP comparator reference so that the same portion of the output voltage can be applied to both the FOVP/BUV and feedback input pins (pins 1 and 2). Note that the versions A, A1, A3 and B only interrupt the DRV activity until the FOVP pin voltage drops below the fast OVP threshold (1% hysteresis). Versions A2 and B2 latch off the circuit when the fast OVP trips.

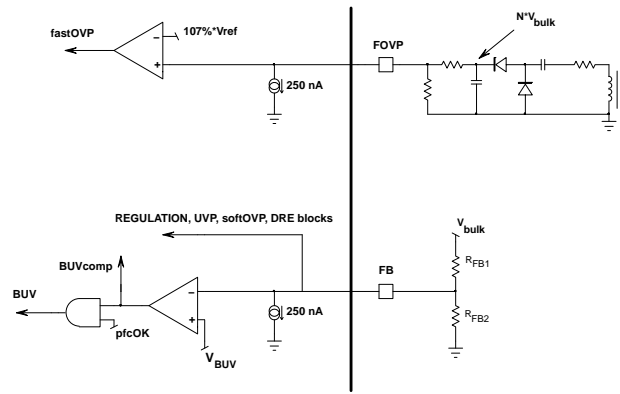
- The BUV comparator trips when the bulk voltage drops below a value which may be incompatible with the downstream converter proper operation. With versions A, A1, A3 and B, a BUV fault is detected if the FOVP

pin voltage drops below the V_{BUV} threshold ($V_{BUV} = 76\% \times V_{REF}$ in NCP1612A and NCP1612B, $V_{BUV} = 40\% \times V_{REF}$ in NCP1612A1 and NCP1612A3, where V_{REF} is the 2.5-V reference voltage). With the NCP1612A2 and NCP1612B2, the BUV comparator monitors the feedback signal and trips when it drops below ($V_{BUV} = 76\% \times V_{REF}$). In all versions, a BUV fault leads the circuit to ground the pfcOK pin (to disable the downstream converter) and gradually discharge the $V_{CONTROL}$ signal. The drive output is disabled for the $V_{CONTROL}$ discharge time. When the $V_{CONTROL}$ discharge is complete, the circuit can attempt to recover operation.

However, the BUV function is disabled whenever the pfcOK pin is in low state, not to inappropriately interrupt start-up phases.



a) Fast OVP and BUV Functions in NCP1612A, NCP1612A1, NCP1612A3 and NCP1612B



b) Fast OVP and BUV Functions in NCP1612A2 and NCP1612B2

Figure 70. Bulk Under-voltage Detection

As a matter of fact, the FOVP and BUV functions monitor the output voltage and check if it is within the window for proper operation. Assuming that the same portion of the output voltage is applied to the FOVP and feedback pins, we have:

- Output fast OVP Level: $V_{out,FOVP} = 107\% \times V_{out,nom}$
- Output BUV Level:
 - NCP1612A, NCP1612B, NCP1612A2, NCP1612B2: $V_{out,BUV} = 76\% \times V_{out,nom}$
 - NCP1612A1/A3: $V_{out,BUV} = 40\% \times V_{out,nom}$

Hence, if the output regulation voltage is 390 V, the output voltage for fastOVP triggering is 417 V and the BUV output voltage level is 156 V with the NCP1612A1/NCP1612A3 and 296 V with the other circuit options.

A 250-nA sink current is built-in to ground the pin if the FOVP pin is accidentally open. With the A, A1, A3 and B versions, the UVP2 protection that disables the drive as long as the pin voltage is below 300 mV (typically), protects the circuit if the FOVP pin is floating.

With the NCP1612A2 and NCP1612B2, there is no UVP2 protection. Also, the BUV comparator does not monitor the FOVP but the feedback pin. Hence, these circuits can operate in the absence of a minimum voltage on the FOVP pin. This helps use another FOVP input signal instead of the output voltage portion traditionally provided by a resistors divider. The resistors divider losses (due to the bias current drawn from the high-voltage rail) may be incompatible with the most stringent standby specifications. Tens of milliwatts can be saved by as shown by Figure 70b, providing the FOVP pin with a voltage representative of the output voltage obtained using the auxiliary winding of the PFC boost inductor.

Current Sense and Zero Current Detection

The NCP1612 is designed to monitor the current flowing through the power switch. A current sense resistor (R_{sense}) is inserted between the MOSFET source and ground to generate a positive voltage proportional to the MOSFET current (V_{CS}). The V_{CS} voltage is compared to a 500 mV

NCP1612A, NCP1612B, NCP1612A1, NCP1612A2, NCP1612A3, NCP1612B2

internally reference. When V_{CS} exceeds this threshold, the OCP signal turns high to reset the PWM latch and forces the driver low. A 200 ns blanking time prevents the OCP comparator from tripping because of the switching spikes that occur when the MOSFET turns on.

The CS pin is also designed to receive a signal from an auxiliary winding for Zero Current Detection. As illustrated in Figure 71, an internal ZCD comparator monitors the pin6 voltage and if this voltage exceeds 750 mV, a demagnetization phase is detected (signal ZCD is high). The auxiliary winding voltage is applied through a diode to prevent this signal from distorting the current sense information during the on-time. Thus, the OCP protection is not impacted by the ZCD sensing circuitry. This comparator incorporates a 500 mV hysteresis and is able to detect ZCD pulses longer than 200 ns. When pin 6 voltage drops below the lower ZCD threshold, the driver can turn high within 200 ns.

It may happen that the MOSFET turns on while a huge current flows through the inductor. As an example such a situation can occur at start-up when large in-rush currents charge the bulk capacitor to the line peak voltage. Traditionally, a bypass diode is generally placed between the input and output high-voltage rails to divert this inrush current. If this diode is accidentally shorted, the MOSFET will also see a high current when it turns on. In both cases, the current can be large enough to trigger the ZCD comparator. An AND gate detects that this event occurs while the drive signal is high. In this case, a latch is set and the “OverStress” signal goes high and disables the driver for a 800 μ s delay. This long delay leads to a very low duty-cycle operation in case of “OverStress” fault in order to limit the risk of overheating.

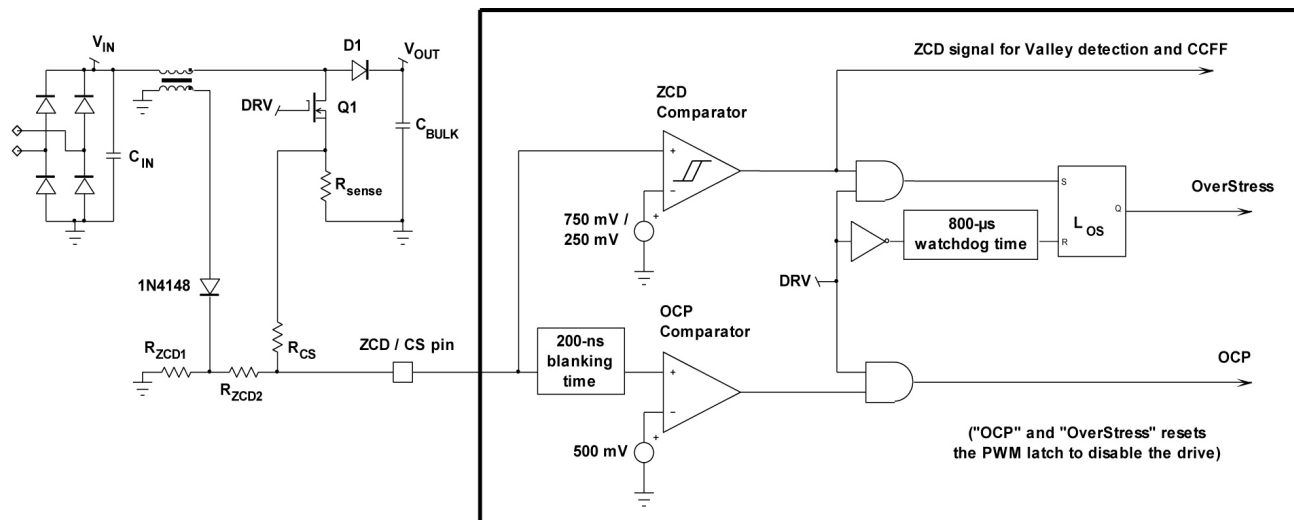


Figure 71. Current Sense and Zero Current Detection Blocks

When no signal is received that triggers the ZCD comparator during the off-time, an internal 200 μ s watchdog timer initiates the next drive pulse. At the end of this delay, the circuit senses the CS/ZCD pin impedance to detect a possible grounding of this pin and prevent operation. The CS/ZCD external components must be selected to avoid false fault detection. 3.9 k Ω is the recommended minimum impedance to be applied to the CS/ZCD pin when considering the NCP1612 parameters tolerance over the -40°C to 125°C temperature range. Practically, R_{CS} must be higher than 3.9 k Ω in the application of Figure 71.

pfcOK Signal

The pfcOK pin is in high-impedance state when the PFC stage operates nominally and is grounded in the following cases:

- During the PFC stage start-up, that is, until the output voltage has stabilized at the right level.

- If the output voltage is too low for proper operation of the downstream converter, more specifically, when the “BUV_fault” signal (see Figure 4) is in high state.
- In the case of a condition preventing the circuit from operating properly like in a Brown-out situation or when one of the following faults turns off the circuit:
 - Incorrect feeding of the circuit (“UVLO” high when $V_{CC} < V_{CC(off)}$, $V_{CC(off)}$ equating 9 V typically).
 - Excessive die temperature detected by the thermal shutdown.
 - Under-voltage Protection
 - Latched-off of the part
 - Regulation loop failure (UVP)
 - Brown-out Situation (BO_fault high – see Figure 4)

The pfcOK signal is controlled as illustrated by Figure 72. The circuit monitors the current sourced by the OTA. If there is no current, we can deduce that the output voltage has

NCP1612A, NCP1612B, NCP1612A1, NCP1612A2, NCP1612A3, NCP1612B2

reached its nominal level. The start-up phase is then complete and pfcOK remains high-impedance until a fault is detected. *Upon startup, the internal signals and the internal supply rails need some time to stabilize. The pfcOK latch cannot be set during this time and until a sufficient blanking time has elapsed.* For the sake of simplicity, this blanking delay is not represented in Figure 72.

Another mandatory condition to set pfcOK high is the low state of the “BUVcomp” signal. This second necessary condition ensures that the voltage applied to pin 1 is high enough not to immediately trigger the BUV protection.

The pfcOK pin is to be used to enable the downstream converter.

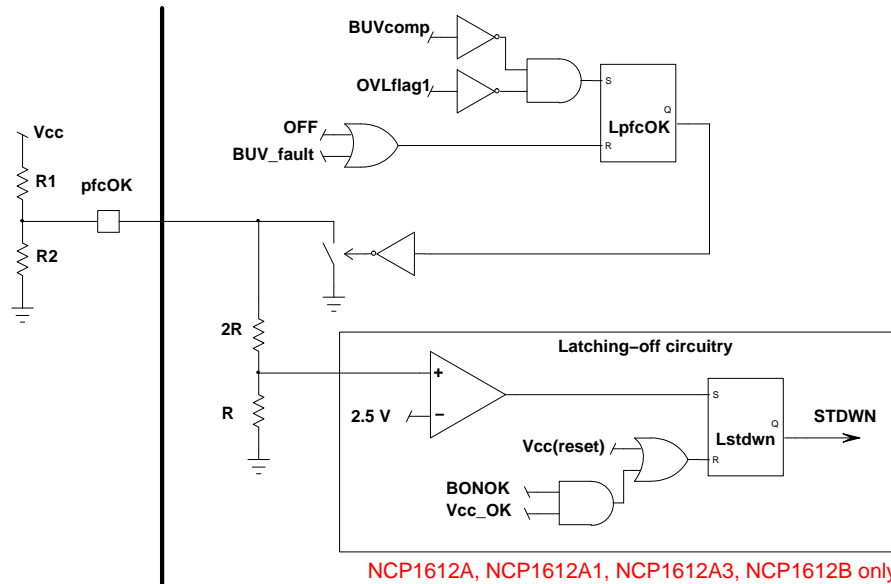


Figure 72. pfcOK Detection

With the NCP1612A, NCP1612A1, NCP1612A3 and NCP1612B, the circuit also incorporates a comparator to a 7.5 V threshold so that the part latches off if the pfcOK pin voltage exceeds 7.5 V. This pin is to protect the part in case of major fault like an over heating. To recover operation, V_{CC} must drop below $V_{CC(reset)}$.

Brown-out Detection

The V_{SENSE} pin (pin4) receives a portion of the instantaneous input voltage (V_{in}). As V_{in} is a rectified sinusoid, the monitored signal varies between zero or a small voltage and a peak value.

For the brown-out block, we need to ensure that the line magnitude is high enough for operation. This is done as follows:

- The V_{SENSE} pin voltage is compared to a 1 V reference.
- If V_{pin4} exceeds 1 V, the input voltage is considered sufficient
- If V_{pin4} remains below 0.9 V for 50 ms, the circuit detects a brown-out situation (100 mV hysteresis).

By default, when the circuit starts operation, the circuit is in a fault state (“BO_NOK” high) until V_{pin4} exceeds 1 V.

When “BO_NOK” is high, the drive is not disabled. Instead, a 50 μ A current source is applied to pin3 to gradually reduce $V_{CONTROL}$. As a result, the circuit only stops pulsing when the SKIP function is activated

($V_{CONTROL}$ reaches the skip detection threshold). At that moment, the circuit turns off (see Figure 4). This method limits any risk of false triggering. The input of the PFC stage has some impedance that leads to some sag of the input voltage when the drawn current is large. If the PFC stage stops while a high current is absorbed from the mains, the abrupt decay of the current may make the input voltage rise and the circuit detect a correct line level. Instead, the gradual decrease of $V_{CONTROL}$ avoids a line current discontinuity and limits risk of false triggering.

Pin 4 is also used to sense the line for feed-forward. A similar method is used:

- The V_{SENSE} pin voltage is compared to a 2.2 V reference.
- If V_{pin4} exceeds 2.2 V, the circuit detects a high-line condition and the loop gain is divided by three (the internal PWM ramp slope is three times steeper)
- Once this occurs, if V_{pin4} remains below 1.7 V for 25 ms, the circuit detects a low-line situation (500 mV hysteresis).

At startup, the circuit is in low-line state (“LLine” high”) until V_{pin4} exceeds 2.2 V.

The line range detection circuit allows more optimal loop gain control for universal (wide input mains) applications.

As portrayed in Figure 73, the pin 4 voltage is also utilized to generate the current information required for the frequency fold-back function.

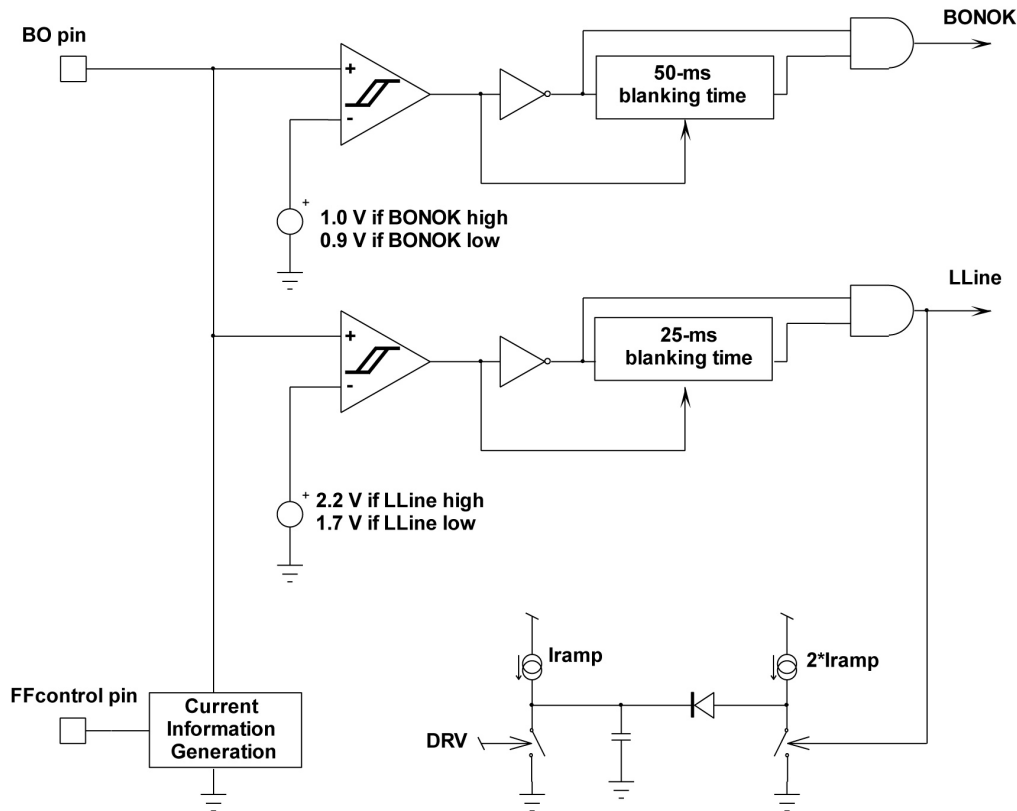


Figure 73. Input Line Sense Monitoring

Thermal Shutdown (TSD)

An internal thermal circuitry disables the circuit gate drive and keeps the power switch off when the junction temperature exceeds 150°C. The output stage is then enabled once the temperature drops below about 100°C (50°C hysteresis).

Output Drive Section

The output stage contains a totem pole optimized to minimize the cross conduction current during high frequency operation. The gate drive is kept in a sinking mode whenever the Under-voltage Lockout is active or more generally whenever the circuit is off. Its high current capability (–500 mA/+800 mA) allows it to effectively drive high gate charge power MOSFET. As the circuit exhibits a large V_{CC} range (up to 35 V), the drive pin voltage is clamped not to provide the MOSFET gate with more than 14 V.

Reference Section

The circuit features an accurate internal 2.5 V reference voltage (V_{REF}) optimized to be $\pm 2.4\%$ accurate over the temperature range.

OFF Mode

As previously mentioned, the circuit turns off when one of the following faults is detected:

- Incorrect feeding of the circuit (“UVLO” high when $V_{CC} < V_{CC(off)}$, $V_{CC(off)}$ equating 9 V typically).
- Excessive die temperature detected by the thermal shutdown.
- Brown-out Fault and SKIP (see block diagram)
- Output Under-voltage situation (when V_{pin2} is lower than 12% of V_{REF})
- UVP2 when V_{pin1} is lower than 12% of V_{REF} (NCP1612A, NCP1612A1, NCP1612A3 and NCP1612B only)
- Circuit latching-off produced either by pulling the pfcOK pin above 7.5 V (NCP1612A, NCP1612A1, NCP1612A3 and NCP1612B) or by triggering the fast OVP comparator (NCP1612A2, NCP1612B2).

Generally speaking, the circuit turns off when the conditions are not proper for desired operation. In this mode, the controller stops operating. The major part of the circuit sleeps and its consumption is minimized.

NCP1612A, NCP1612B, NCP1612A1, NCP1612A2, NCP1612A3, NCP1612B2

Failure Detection

When manufacturing a power supply, elements can be accidentally shorted or improperly soldered. Such failures can also happen to occur later on because of the components fatigue or excessive stress, soldering defaults or external interactions. In particular, adjacent pins of controllers can be shorted, a pin can be grounded or badly connected. Such open/short situations are generally required not to cause fire, smoke nor big noise. The NCP1612 integrates functions that ease meeting this requirement. Among them, we can list:

- Floating feedback pins
A 250 nA sink current source pulls down the voltage on the feedback pin so that the UVP protection trips and prevents the circuit from operating if this pin is floating. This current source is small (450 nA maximum) so that its impact on the output regulation and OVP levels remain negligible with the resistor dividers typically used to sense the bulk voltage.
- Fault of the GND connection
If the GND pin is properly connected, the supply current drawn from the positive terminal of the V_{CC} capacitor, flows out of the GND pin to return to the negative terminal of the V_{CC} capacitor. If the GND pin is not connected, the circuit ESD diodes offer another return path. The accidental non connection of the GND pin can hence be detected by detecting that one of this

ESD diode is conducting. Practically, the CS/ZCD ESD diode is monitored. If such a fault is detected for 200 μ s, the circuit stops operating.

- Detection the CS/ZCD pin improper connection
The CS/ZCD pin sources a 1 μ A current to pull up the pin voltage and hence disable the part if the pin is floating. If the CS/ZCD pin is grounded, the circuit cannot monitor the ZCD signal and the 200 μ s watchdog timer is activated. When the watchdog time has elapsed, the circuit sources a 250 μ A current source to pull-up the CS/ZCD pin voltage. No drive pulse is initiated until the CS/ZCD pin voltage exceeds the ZCD 0.75 V threshold. Hence, if the pin is grounded, the circuit stops operating. Circuit operation requires the pin impedance to be 3.9 k Ω or more, the tolerance of the NCP1612 impedance testing function being considered over the -40°C to 125°C temperature range.
- Boost or bypass diode short
The NCP1612 addresses the short situations of the boost and bypass diodes (a bypass diode is generally placed between the input and output high-voltage rails to divert this inrush current). Practically, the overstress protection is implemented to detect such conditions and forces a low duty-cycle operation until the fault is gone.

Refer to application note [AND9079/D](#) for more details.

Table 5. ORDERING INFORMATION

Device	Circuit Version	Marking	Package	Shipping [†]
NCP1612ADR2G	NCP1612A	1612A	SOIC-10 (Pb-Free)	2500 / Tape & Reel
NCP1612A1DR2G	NCP1612A1	1612A1	SOIC-10 (Pb-Free)	2500 / Tape & Reel
NCP1612A2DR2G	NCP1612A2	1612A2	SOIC-10 (Pb-Free)	2500 / Tape & Reel
NCP1612A3DR2G	NCP1612A3	1612A3	SOIC-10 (Pb-Free)	2500 / Tape & Reel
NCP1612BDR2G	NCP1612B	1612B	SOIC-10 (Pb-Free)	2500 / Tape & Reel
NCP1612B2DR2G*	NCP1612B2	1612B2	SOIC-10 (Pb-Free)	2500 / Tape & Reel

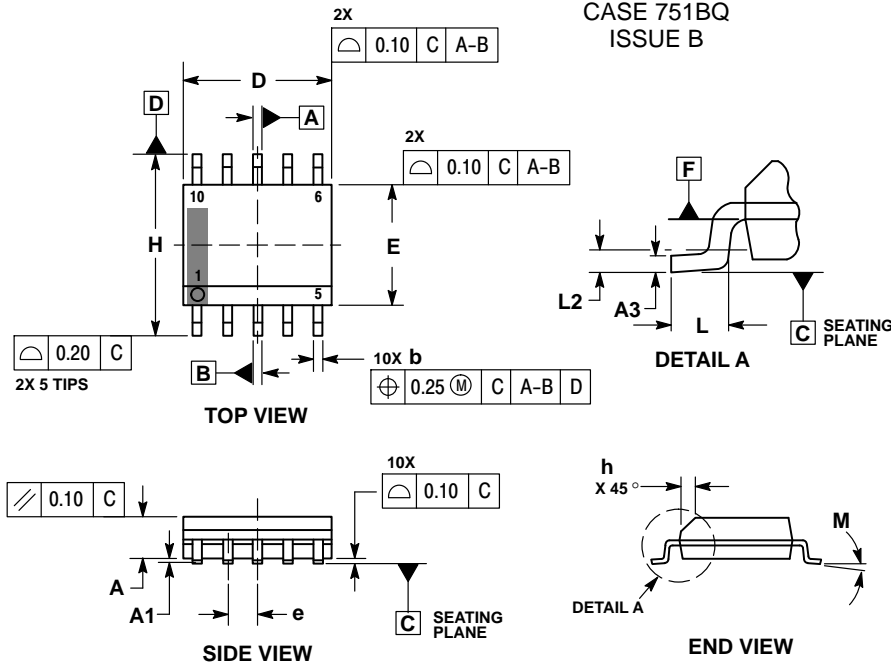
*Please contact local sales representative for availability.

[†]For information on tape and reel specifications, including part orientation and tape sizes, please refer to our Tape and Reel Packaging Specifications Brochure, BRD8011/D.

NCP1612A, NCP1612B, NCP1612A1, NCP1612A2, NCP1612A3, NCP1612B2

PACKAGE DIMENSIONS

SOIC-10 NB CASE 751BQ ISSUE B

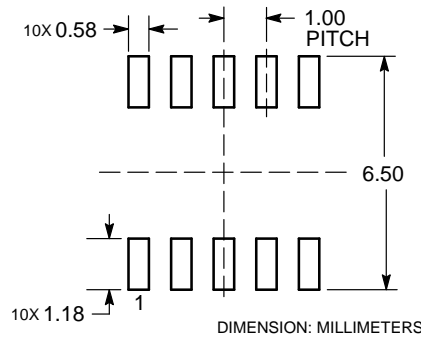


NOTES:

1. DIMENSIONING AND TOLERANCING PER ASME Y14.5M, 1994.
2. CONTROLLING DIMENSION: MILLIMETERS.
3. DIMENSION b DOES NOT INCLUDE DAMBAR PROTRUSION. ALLOWABLE PROTRUSION SHALL BE 0.10mm TOTAL IN EXCESS OF 'b' AT MAXIMUM MATERIAL CONDITION.
4. DIMENSIONS D AND E DO NOT INCLUDE MOLD FLASH, PROTRUSIONS, OR GATE BURRS. MOLD FLASH, PROTRUSIONS, OR GATE BURRS SHALL NOT EXCEED 0.15mm PER SIDE. DIMENSIONS D AND E ARE DETERMINED AT DATUM F.
5. DIMENSIONS A AND B ARE TO BE DETERMINED AT DATUM F.
6. A1 IS DEFINED AS THE VERTICAL DISTANCE FROM THE SEATING PLANE TO THE LOWEST POINT ON THE PACKAGE BODY.

DIM	MILLIMETERS	
	MIN	MAX
A	1.25	1.75
A1	0.10	0.25
A3	0.17	0.25
b	0.31	0.51
D	4.80	5.00
E	3.80	4.00
e	1.00 BSC	
H	5.80	6.20
h	0.37 REF	
L	0.40	0.80
L2	0.25 BSC	
M	0°	8°

RECOMMENDED SOLDERING FOOTPRINT*



*For additional information on our Pb-Free strategy and soldering details, please download the ON Semiconductor Soldering and Mounting Techniques Reference Manual, SOLDERRM/D.

ON Semiconductor and are trademarks of Semiconductor Components Industries, LLC dba ON Semiconductor or its subsidiaries in the United States and/or other countries. ON Semiconductor owns the rights to a number of patents, trademarks, copyrights, trade secrets, and other intellectual property. A listing of ON Semiconductor's product/patent coverage may be accessed at www.onsemi.com/site/pdf/Patent-Marking.pdf. ON Semiconductor reserves the right to make changes without further notice to any products herein. ON Semiconductor makes no warranty, representation or guarantee regarding the suitability of its products for any particular purpose, nor does ON Semiconductor assume any liability arising out of the application or use of any product or circuit, and specifically disclaims any and all liability, including without limitation special, consequential or incidental damages. Buyer is responsible for its products and applications using ON Semiconductor products, including compliance with all laws, regulations and safety requirements or standards, regardless of any support or applications information provided by ON Semiconductor. "Typical" parameters which may be provided in ON Semiconductor data sheets and/or specifications can and do vary in different applications and actual performance may vary over time. All operating parameters, including "Typicals" must be validated for each customer application by customer's technical experts. ON Semiconductor does not convey any license under its patent rights nor the rights of others. ON Semiconductor products are not designed, intended, or authorized for use as a critical component in life support systems or any FDA Class 3 medical devices or medical devices with a same or similar classification in a foreign jurisdiction or any devices intended for implantation in the human body. Should Buyer purchase or use ON Semiconductor products for any such unintended or unauthorized application, Buyer shall indemnify and hold ON Semiconductor and its officers, employees, subsidiaries, affiliates, and distributors harmless against all claims, costs, damages, and expenses, and reasonable attorney fees arising out of, directly or indirectly, any claim of personal injury or death associated with such unintended or unauthorized use, even if such claim alleges that ON Semiconductor was negligent regarding the design or manufacture of the part. ON Semiconductor is an Equal Opportunity/Affirmative Action Employer. This literature is subject to all applicable copyright laws and is not for resale in any manner.

PUBLICATION ORDERING INFORMATION

LITERATURE FULFILLMENT:
Literature Distribution Center for ON Semiconductor
19521 E. 32nd Pkwy, Aurora, Colorado 80011 USA
Phone: 303-675-2175 or 800-344-3860 Toll Free USA/Canada
Fax: 303-675-2176 or 800-344-3867 Toll Free USA/Canada
Email: orderlit@onsemi.com

N. American Technical Support: 800-282-9855 Toll Free
USA/Canada
Europe, Middle East and Africa Technical Support:
Phone: 421 33 790 2910

ON Semiconductor Website: www.onsemi.com
Order Literature: <http://www.onsemi.com/orderlit>

For additional information, please contact your local Sales Representative