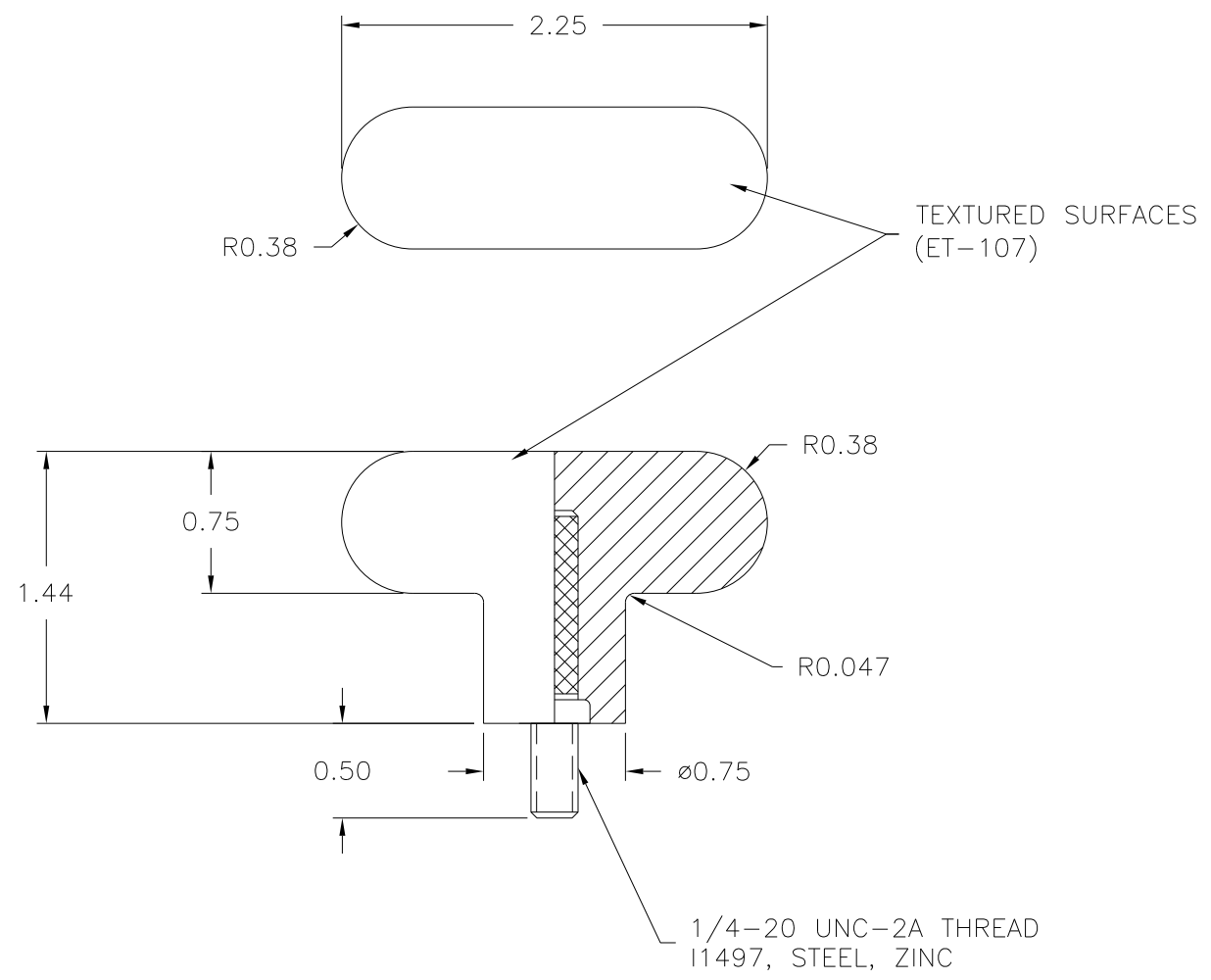


PART NAME: KNOB SCALE: 1:1 DATE: 4/4/88 DR. BY HD

THIS DRAWING IS THE PROPERTY OF DAVIES MOLDING COMPANY, IS SUBMITTED SOLELY AS A DESIGN OR ENGINEERING PROJECT. WE ACCEPT NO RESPONSIBILITY WHATSOEVER FOR THE PRACTICAL APPLICATION OF THE PIECES MADE TO THIS DESIGN.

DAVIES MOLDING DESIGNERS & MANUFACTURERS OF KNOBS, HANDLES, CASES & CUSTOM PLASTIC COMPONENTS

P/N	3081-C
M NO.	23-FRAME
CAVITY	3081
CORE	3081
EJECTOR PIN	3081 TO SUIT
BUSHING	3081-1
INSERT	I1497



MATERIAL: POLYPROPYLENE (CLD)
COLOR: BLACK

TOLERANCES: UNLESS OTHERWISE SPECIFIED	DO NOT SCALE DRAWING				
DECIMALS: X.XXX ± .005 X.XX ± .015	MM: X.XX ± 0.15MM X.X ± 0.4MM	A	REDRAW REDRAW	JAM	3/26/01
FRACTIONS ± 1/64	ANG. ± 1°	A	WAS 1.38	HD	7/5/96
		-	CAD REDRAW	HD	5/8/93
CHANGES					