

FOX PART NUMBER: 278LF-24.8832-3

Resistance Weld SMD Crystal



Model: HC49SDLF Series RoHS / REACH Compliant / Pb Free Rev. 12/9/2014

Page 1 of 1

http://www.foxonline.com/need_a_sample.htm

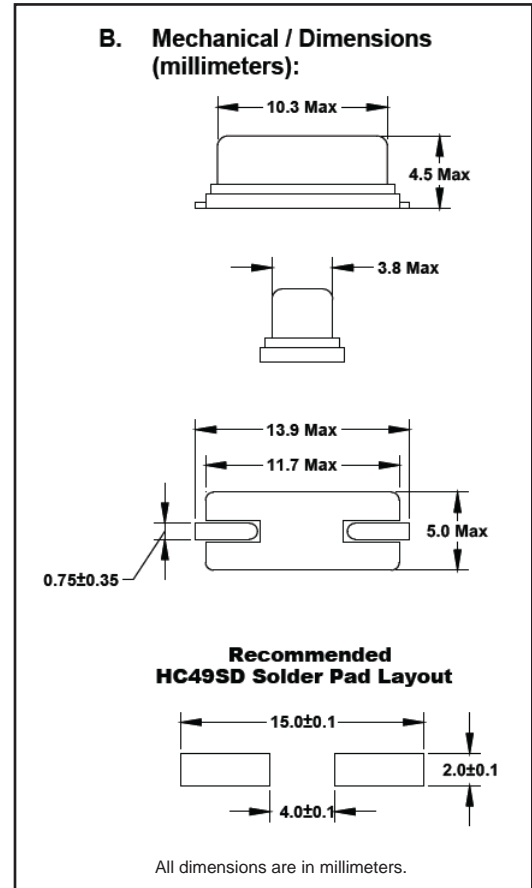
Need a
Sample®

For Use with:
IDT'S VCXO-BASED SYNCHRONIZATION PLLS

• FOX PART NUMBER: 278LF-24.8832-3		
Part Number	Model Number	Frequency
278LF-24.8832-3	HC49SDLF	24.8832 MHz

• STANDARD SPECIFICATIONS	
PARAMETERS	MAX (unless otherwise noted)
Frequency	24.8832 MHz
Resonance Mode	Fundamental
Frequency Tolerance @ 25°C	±20 PPM
Frequency Stability, ref @ 25°C Over Operating Temp Range	±20 PPM
Temperature Range	
Operating (TOPR)	-40°C ~ +85°C
Storage (TSTG)	-40°C ~ +85°C
Equivalent Series Resistance (ESR)	20 Ohms
Shunt Capacitance (Co)	7 pF
Load Capacitance (CL)	10 pF
Drive Level	0.5 mW
Aging per year	±5.0 PPM
Maximum Soldering Temp / Time	260°C / 10 Seconds
Moisture Sensitivity Level (MSL)	1
Termination Finish: (Ni underplate)	Sn-Ag-Cu
Weight (TYP)	649.385 mg

Note: Dimensional drawing is for reference to critical specifications defined by size measurements. Certain non-critical visual attributes, such as side castellations, etc. may vary. The above specifications, having been carefully prepared and checked, is believed to be accurate at the time of publication; however, no responsibility is assumed by Fox Electronics for inaccuracies. All specifications subject to change without notice.



• TAPE SPECIFICATIONS (millimeters)							
MODEL	A	B	C	D	E	F	STD Reel QTY
HC49SDLF	∅1.5	4.0	12.0	11.5	24.0	4.8	1,000

• REEL SPECIFICATIONS (millimeters)							
MODEL	G	H	I	J	K	L	M
HC49SDLF	2.0	∅13	∅21	∅80	∅330	25.5	2.0

