



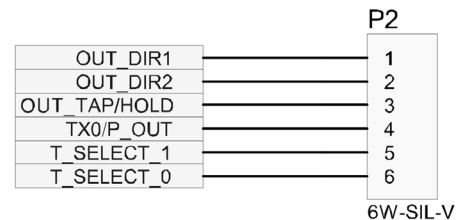
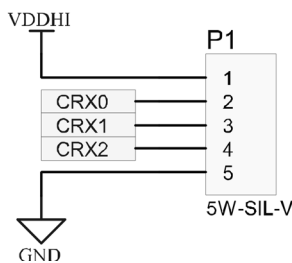
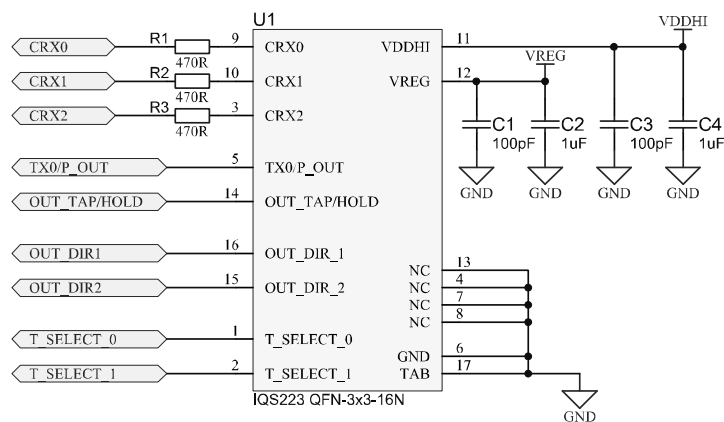
IQS223EV01 QUICK START GUIDE

3 Channel capacitive proximity and touch controller with flick or swipe and tap & hold gesture outputs.

The IQS223 ProxSense® IC is a 3-channel projected- or self capacitive proximity and touch controller with best in class sensitivity, signal to noise ratio and power consumption. Swipe and tap gestures are calculated on-chip and reported on GPIO pins.

EV-Kit Overview

- > The stamp can be easily wired into an application and connected to a rapid prototype electrode.
- > Flick or swipe gesture detection with individual direction output pins.
- > Tap and hold gesture recognition and output
- > Prox output



**Refer to IQS223 datasheet for ATI target selection strap options.*