



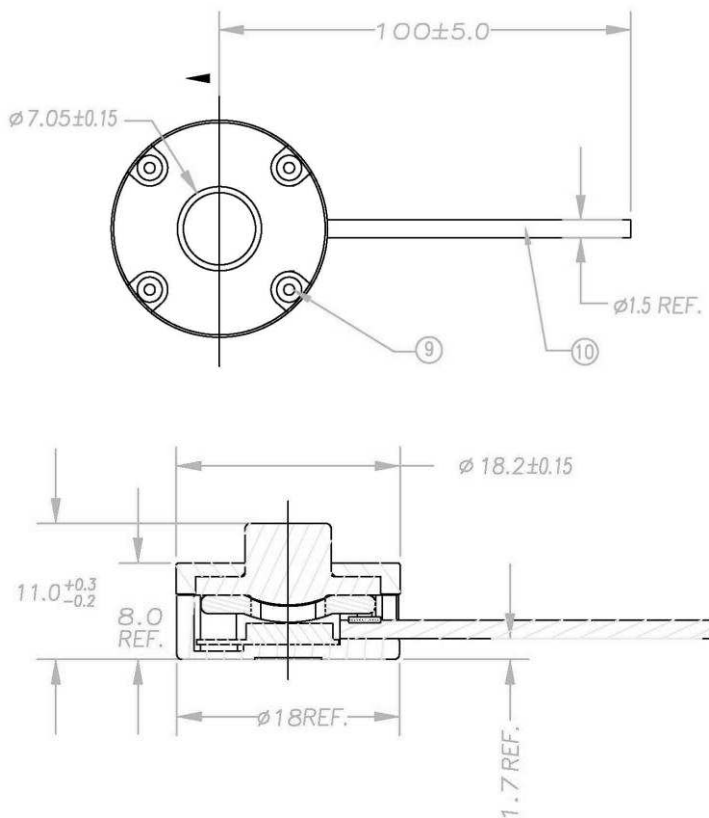
## CONTACT MICROPHONE CM-01B

### SPECIFICATIONS

- ◆ High Sensitivity
- ◆ Robust
- ◆ Low Noise
- ◆ Piezo Film Technology
- ◆ Shielded Cable

The **CM-01B Contact Microphone** uses sensitive but robust PVDF piezo film combined with a low-noise electronic preamplifier to provide a unique sound or vibration pick-up with buffered output. The design minimizes external acoustic noise while offering extremely high sensitivity to vibration applied to the central rubber pad. The CM-01B is ideal for detecting body sounds.

### DIMENSIONS



### FEATURES

- ◆ Broad Bandwidth
- ◆ High Sensitivity
- ◆ Excellent Impact Resistance
- ◆ Lightweight
- ◆ Low Cost

### APPLICATIONS

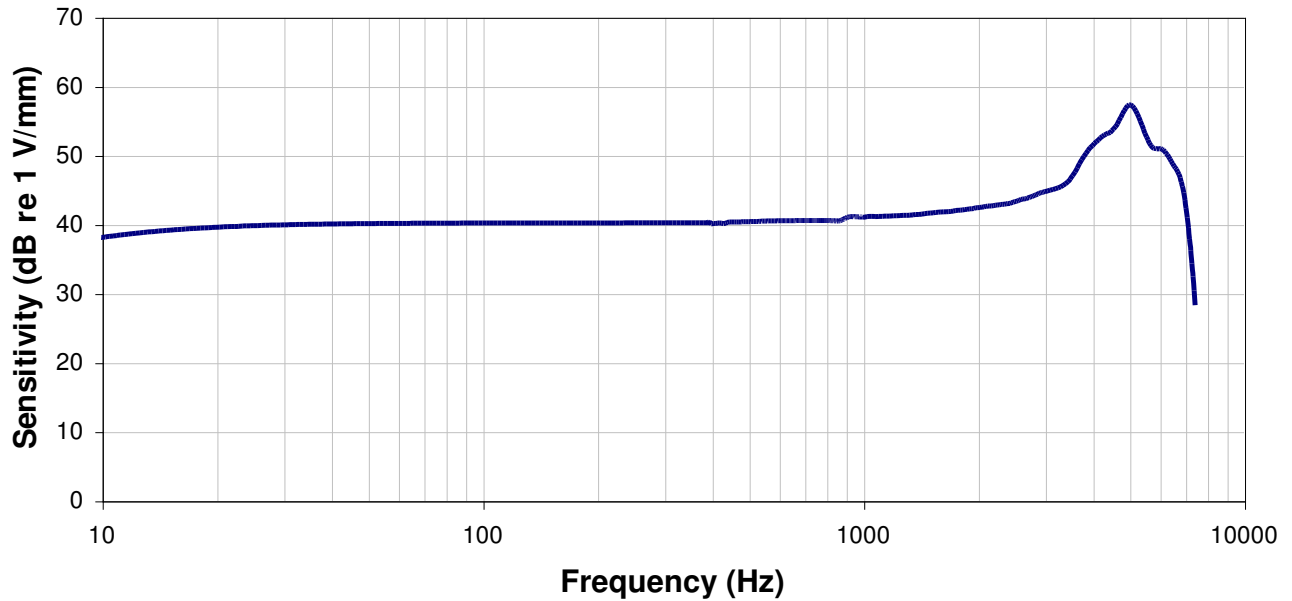
- ◆ Electronic Stethoscope
- ◆ Bone-conducted Sound Pickup
- ◆ General Purpose Contact Microphone
- ◆ Vibration/Impact Sensing

PERFORMANCE SPECIFICATIONS

CHARACTERISTICS	Min	Typ	Max	Units
Sensitivity		40		V/mm
Lower Limiting Frequency (-3 dB)		8		Hz
Upper Limiting Frequency (+3 dB)		2.2		kHz
Resonance Frequency		5		kHz
Spring Constant		20		N/m
Electronic Noise		1		mV <sub>pk-pk</sub>
Supply Voltage	4	5	30	V-DC
Supply Current		0.1		mA
Operating Temperature	+5		+60	-C
Storage Temperature	-20		+85	-C

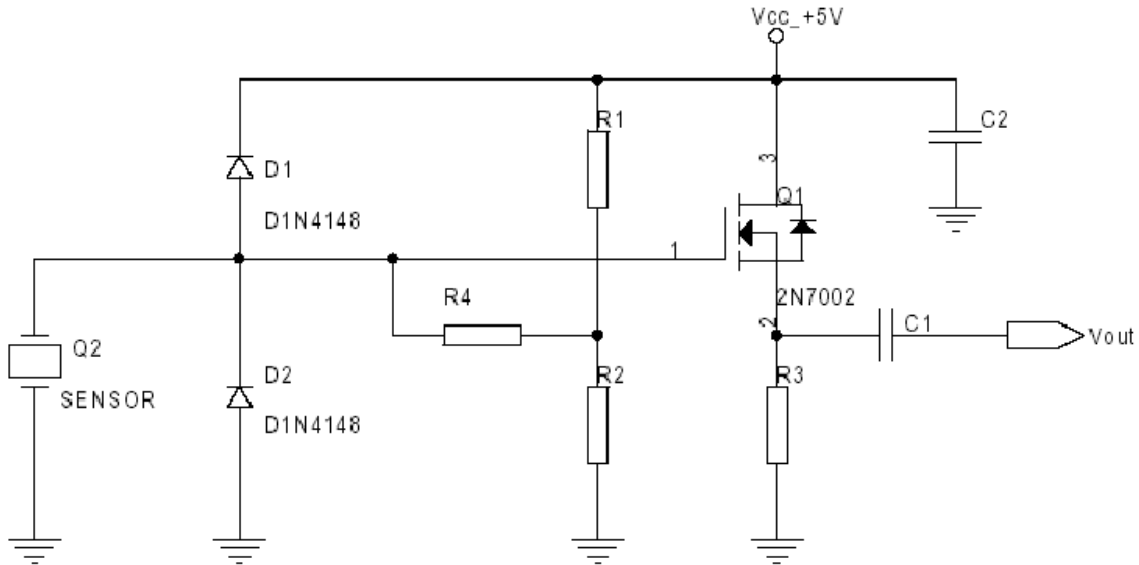
TYPICAL FREQUENCY RESPONSE

Typical Frequency Response



The above plot shows a typical frequency response curve for a device clamped below and subjected to piston-like displacement to the face of the rubber sensing pad.

INTERNAL SCHEMATIC



Shield (braid): GND  
 Red wire: Vcc, +5 V  
 Yellow wire: Vout  
 R4 = 100 MΩ

C1 = C2 = 0.1 μF  
 R1 = R2 = 300 KΩ  
 R3 = 10 KΩ

ORDERING INFORMATION

Model No.	Part No.
CM-01B	1007079-1

**NORTH AMERICA**

Measurement Specialties, Inc.,  
 a TE Connectivity Company  
 Tel: +1-800-522-6752  
 Email: [customercare.dtm@te.com](mailto:customercare.dtm@te.com)

**EUROPE**

MEAS Deutschland GmbH  
 a TE Connectivity Company  
 Tel: +49-800-440-5100  
 Email: [customercare.dtm@te.com](mailto:customercare.dtm@te.com)

**ASIA**

Measurement Specialties (China), Ltd.,  
 a TE Connectivity Company  
 Tel: +86 0400-820-6015  
 Email: [customercare.chdu@te.com](mailto:customercare.chdu@te.com)

**TE.com/sensorsolutions**

Measurement Specialties, Inc., a TE Connectivity company.

Measurement Specialties, TE Connectivity, TE Connectivity (logo) and EVERY CONNECTION COUNTS are trademarks. All other logos, products and/or company names referred to herein might be trademarks of their respective owners.

The information given herein, including drawings, illustrations and schematics which are intended for illustration purposes only, is believed to be reliable. However, TE Connectivity makes no warranties as to its accuracy or completeness and disclaims any liability in connection with its use. TE Connectivity's obligations shall only be as set forth in TE Connectivity's Standard Terms and Conditions of Sale for this product and in no case will TE Connectivity be liable for any incidental, indirect or consequential damages arising out of the sale, resale, use or misuse of the product. Users of TE Connectivity products should make their own evaluation to determine the suitability of each such product for the specific application.

© 2015 TE Connectivity Ltd. family of companies All Rights Reserved.