

PLEASE CHECK WWW.MOLEX.COM FOR LATEST PART INFORMATION

Part Number: [0745400101](#)
Status: **Active**
Overview: [iPass Connector System](#)
Description: PCIe Guide Frame, x8, for PCIe Add-In Cards, 1° Cage Angle, With Blocking Key

Documents:

[3D Model](#) [RoHS Certificate of Compliance \(PDF\)](#)
[Drawing \(PDF\)](#)

General

Product Family	EMI Cages
Series	74540
Application	Module-to-Board
Comments	For PCIe Add-In Cards 1° Cage Angle, For PCIe Add-In Cards 1° Cage Angle
Component Type	Guide Frame
Overview	iPass Connector System
Product Name	PCI Express
UPC	822350703826

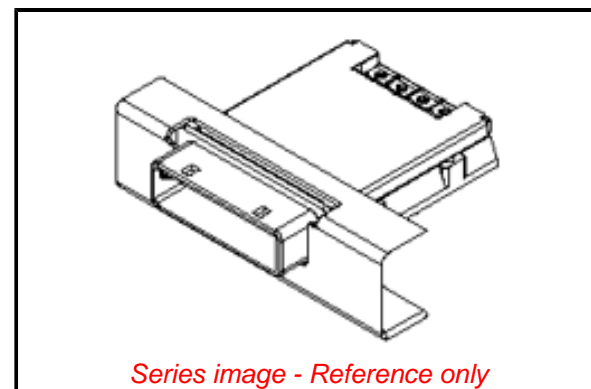
Physical

EMI Panel / Bezel Mount	Behind the Bezel
Light Pipes per Port	0
Material - Metal	Zinc Die Cast
Net Weight	18.530/g
Orientation	Horizontal
Packaging Type	Tray
Port Configuration	1x1
Rear Legs	0
Termination Interface: Style	N/A
Thermal Height	N/A
Thermal Solutions	Closed Top

Material Info

Reference - Drawing Numbers

Sales Drawing	745400101-ASY, SD-74540-101
---------------	-----------------------------



EU ELV

Compliant

EU RoHS

Compliant

REACH SVHC

Not Contained Per - ED/71/2019 (16 July 2019)

Halogen-Free

Status

Low-Halogen

For more information, please visit [Contact US](#)

China ROHS

ELV

RoHS Phthalates

China RoHS

Green Image

Compliant

Not Contained

Search Parts in this Series

[74540 Series](#)

Mates With

[74546 iPass Cable Assembly](#)