

4

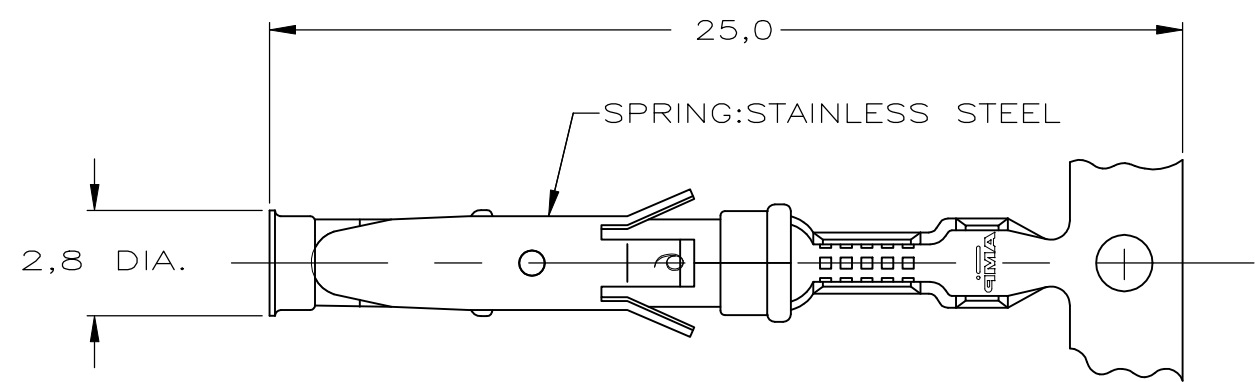
3

2

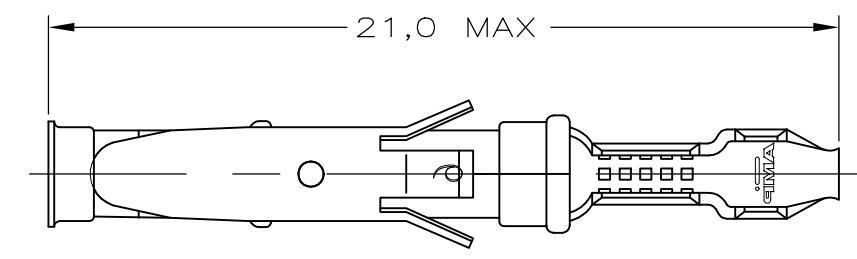
1

THIS DRAWING IS UNPUBLISHED. RELEASED FOR PUBLICATION  
 © COPYRIGHT - By - ALL RIGHTS RESERVED.

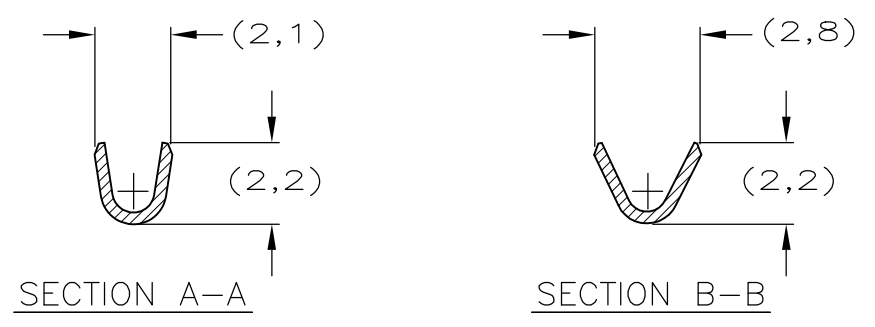
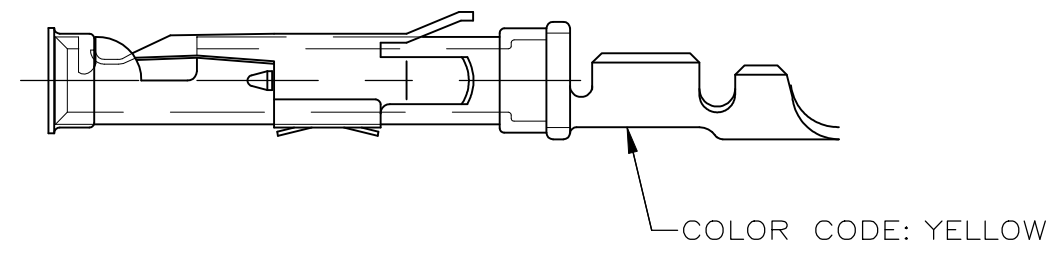
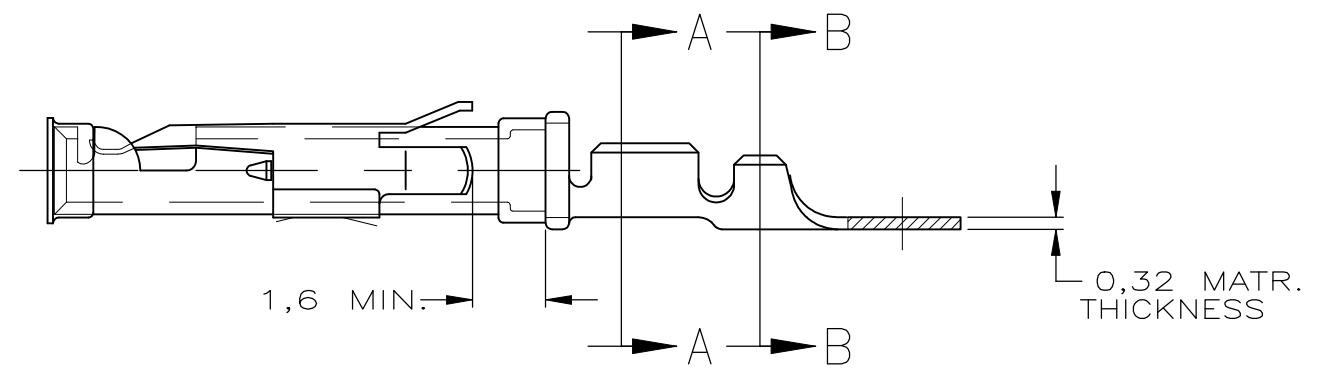
REVISIONS				
P	LTR	DESCRIPTION	DATE	APVD
	AD4	PN 1-163087-0 OBSOLETE	18MAY2017	TJ NG
	AD5	AS PER ECO-18-006235	04MAY2018	RS MZ



STRIP

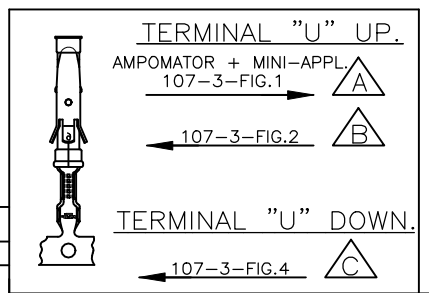


LOOSE-PIECE



WIRE RANGE : 0,2-0,50 mm<sup>2</sup> (24-20 AWG)  
 INSUL. RANGE : 1,1-1,8 mm (.080-.100)

REVISION	PART NUMBER	DIRECTION OF REEL	LOOSE-PIECE	MATERIAL	PLATING
	1-163087-5	A	61-163088-4	BRASS	SILVER 28
	1-163087-4	A	61-163088-4	BRASS	EL.TIN 31 20
5 OBSOLETE	1-163087-3	A	61-163088-3	BRASS	BR.TIN/LEAD 30
5 OBSOLETE	5-163087-3	C		BRASS	ECON.GOLD 21
	5-163087-2	C		BRASS	SEL.GOLD 22
5 OBSOLETE	5-163087-1	C		BRASS	EL.TIN 20
	1-163087-2	B	61-163088-1	BRASS	GOLD 23
	1-163087-1	A		BRASS	ECON.GOLD 21
6 OBSOLETE	1-163087-0	B	1-163088-0	BRASS	ECON.GOLD 21
	163087-9	A		BRASS	EL.TIN 20
	163087-8	A		BRASS	SEL.GOLD 22
1	163087-2	B	163088-2	BRASS	SEL.GOLD 22
1	163087-1	B	163088-1	BRASS	EL.TIN 20



- NOTES :
- 1 UL RECOGNIZED UNDER E28476 VOL VI SEC I
  - 2 FOR CRIMP DETAILS SEE SPEC. 114-19000
  - 3 MEETS PRODUCT SPECIFICATION 108-10042
  - 4 SPECIAL REEL WITH 200PCS FOR REEL-FED HAND-TOOL
  - 5 OBSOLETE PARTS: OBSOLETE CIS STREAMLINING PER D.RENAUD/D.SINISI
  - 6 OBSOLETE
  - 7 OMISSION OF 6 CONTACTS MAX PER REEL OF 5000PCS
  - 31 LUBRICATED

NOTES	MATERIAL	THICKNESS	AREA
20	TIN	2,0 μm	ALL OVER
21	NICKEL GOLD TIN	0,8 μm	ALL OVER CONTACT AREA BARREL
22	NICKEL GOLD GOLD	0,8 μm	ALL OVER CONTACT AREA ALL OVER
23	NICKEL GOLD GOLD	1,2 μm	ALL OVER CONTACT AREA ALL OVER
27	NICKEL SILVER TIN	2,5 μm	ALL OVER CONTACT AREA BARREL
28	SILVER NICKEL	1,5-2,5 μm 0,76 μm	ALL OVER
29	SILVER	2,5 μm	ALL OVER
30	NICKEL BR TIN	1,27 μm	ALL OVER ALL OVER

THIS DRAWING IS A CONTROLLED DOCUMENT.

DIMENSIONS:	TOLERANCES UNLESS OTHERWISE SPECIFIED:
mm	0 PLC ± -
	1 PLC ± -
	2 PLC ± -
	3 PLC ± -
	4 PLC ± -
	ANGLES ± -
MATERIAL REFER TABLE	FINISH REFER TABLE

DWN M THAJUDEEN 21JULY2015  
 CHK GANI NIMBENNAPPA 21JULY2015  
 APVD PRASHANTH S 21JULY2015  
 PRODUCT SPEC  
 108-10042  
 APPLICATION SPEC  
 114-19000  
 WEIGHT 0.539g  
 CUSTOMER DRAWING

**STE** TE Connectivity

NAME: TYPE III+, SIZE 16, SOCKET ASS'Y, 24-20 AWG, 1.1-1.8mm DIA INSULATION

SIZE	CAGE CODE	DRAWING NO	RESTRICTED TO
A3	00779	C-163087	-

SCALE - SHEET 1 OF 1 REV AD5