

## HUSK-20 LATCHING HOLD-UP SWITCH

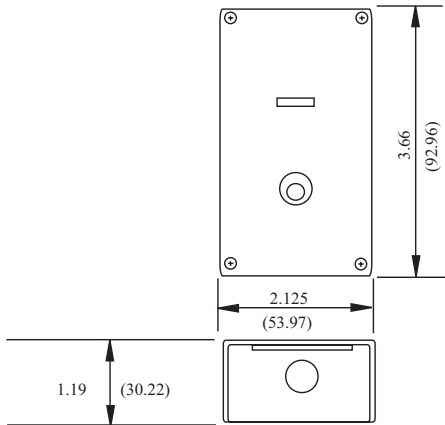


- Form C contact
- Metal housing
- Key reset
- Silent operation
- Status window indicator (armed, alarmed)
- Mechanical operation
- Terminals for easy wiring

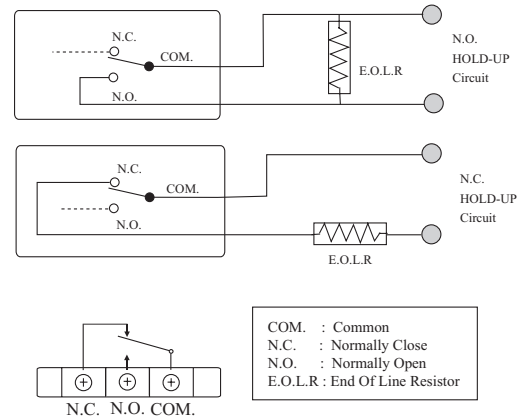
The HUSK-20 is a mechanical hold-up switch designed for silent operation. It is activated by using one finger to press down on the switch. When activated, the switch mechanism locks, insuring an immediate alarm signal. A status window designed on top of the hold-up switch indicates its condition: RED (alarmed) and BLUE (armed). To reset the HUSK-20, use the key provided. The housing is made of metal and is painted gray.

The hold-up switch sends a signal to a dedicated 24 hour hold-up circuit of a burglar control panel. That signal in turn will send the immediate signal to police or central station.

### Dimensions



### Typical Wiring



### Specifications

| Model Number | Stock Number | Contact Type | Contact Rating |        |         | Screw Terminals Capacity | Operating Temperature Range    |
|--------------|--------------|--------------|----------------|--------|---------|--------------------------|--------------------------------|
|              |              |              | 125V DC        | 30V DC | 125V AC |                          |                                |
| HUSK-20      | 4370038      | N.O./N.C.    | 0.4A           | 5A     | 5A      | AWG #18                  | -4°F - 176°F<br>(-20°C - 80°C) |
| KEY          | 4370039      |              |                |        |         |                          |                                |