

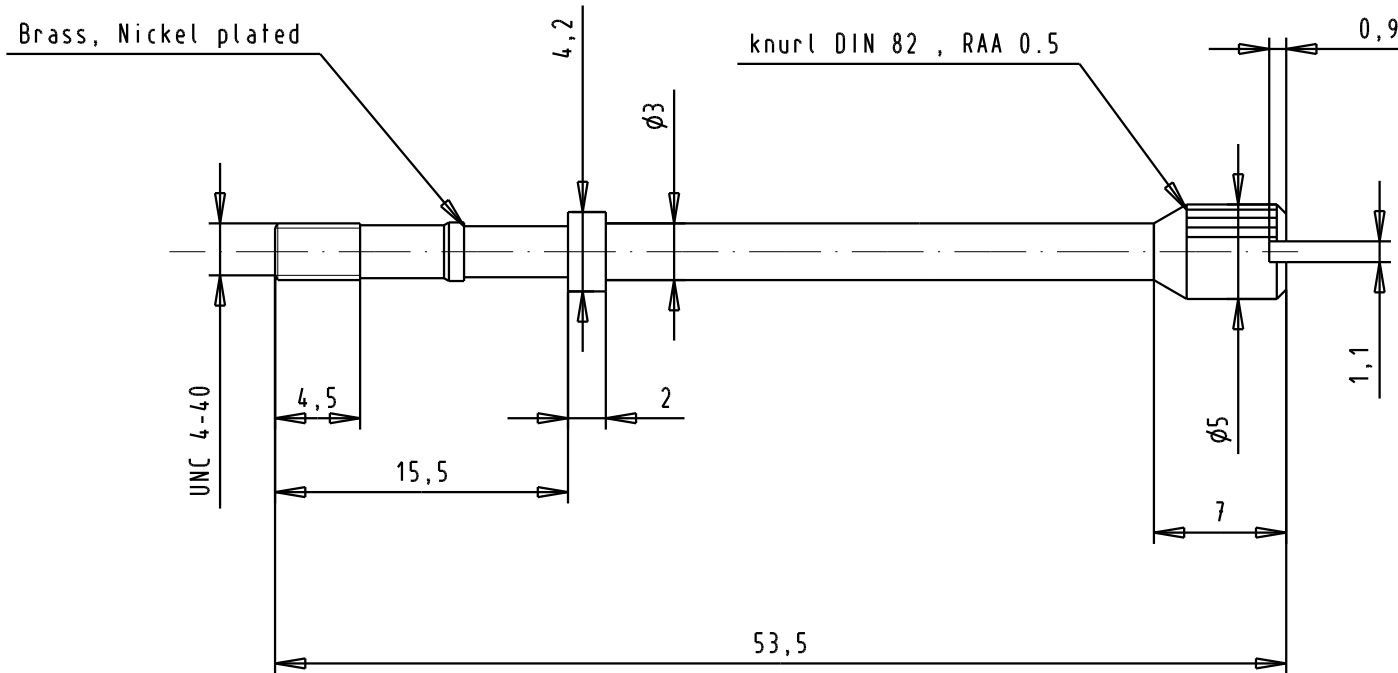
5



4

3

2

1



				Dat.	Name	 All Dim. in mm Orig. Size DIN A 4	Knurled locking screw UNC 4-40	Moßstab/ Scale
			Detail.	07/01/04	S.H.			2.5:1
			Insp.					
			Stand.					
							TB 09 67 002 9010	Blatt/ Page
31587	07/01/04	S.H.	HARTING ELEKTRONIK F-95972 Paris					Sub.
Mod.	Dat.	Name						

D

C

B

A