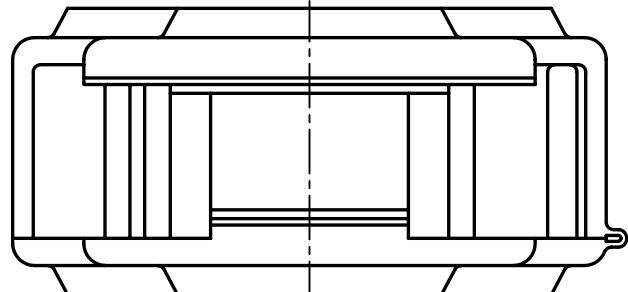
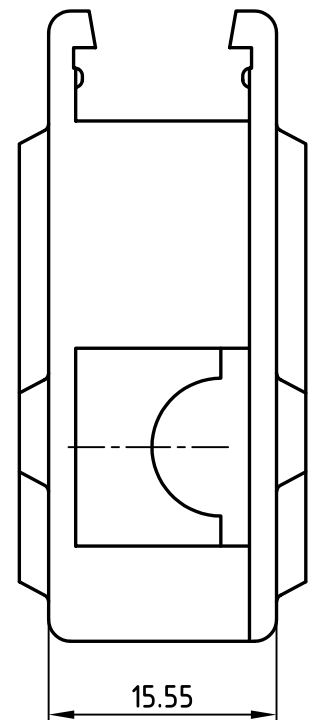
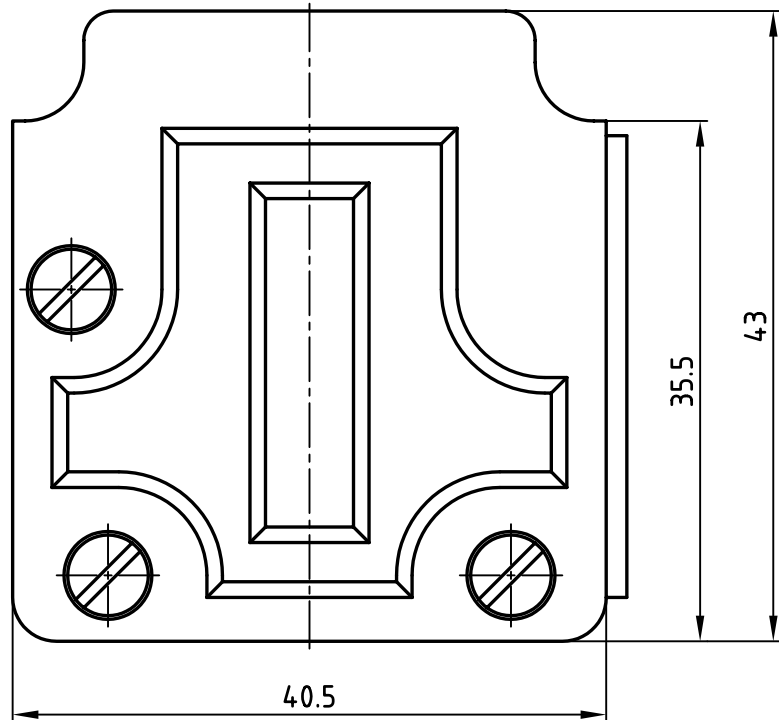


used for: D-SUB



Directive 2002/95/EC
„RoHS“
Compliant

PART-NO.
165X13239X
500X20025X

THIS DRAWING MAY NOT BE COPIED OR REPRODUCED IN ANY WAY, AND MAY NOT BE PASSED ON TO A THIRD PARTY WITHOUT WRITTEN PERMISSION.
OWNERSHIP AND COPYRIGHT OF CONEC GmbH
DO NOT ALTER CAD DRAWING BY HAND

rev.	description	date	name

tolerance

1994	date	name
drawn	22.03.	Barcinski
appd.	22.03.	Mickenbecker
norm		
d-old		



scale: 2:1
material: PP; black

title:
Hood
25pos. with 2 entries
hinged version

dwg no: CAD/ REL.14
16V1IH9A
DIN-A
4
sh: 1/1

product no: SEE TABLE