

SECTION B-B
 SCALE 4:1

spec ref	-	dr	Eric Jiang	2013/02/04	projection	MM	size	A2	scale	4:1	
tolerance std	ASME Y14.5	eng	Sunny2 Liu	2016/05/05			ecn no	ELX-DG-24036-1			
TOLERANCES UNLESS OTHERWISE SPECIFIED		chr	Teris Liu	2016/05/20			rel level	Released			
surface	ASME Y14.5	appr	Pei-Ming Zheng	2016/05/24			product family	VERT RECT (ALL SIGNAL PINS) HIGH POWER CARD EDGE			
	linear	0.X	±0.50		cat. no.	Product - Customer Drw		sheet 1 of 4	rev	B	
		0.XX	±0.25								
	angular	0°	±2°								

PDS: Rev :B

STATUS:Released

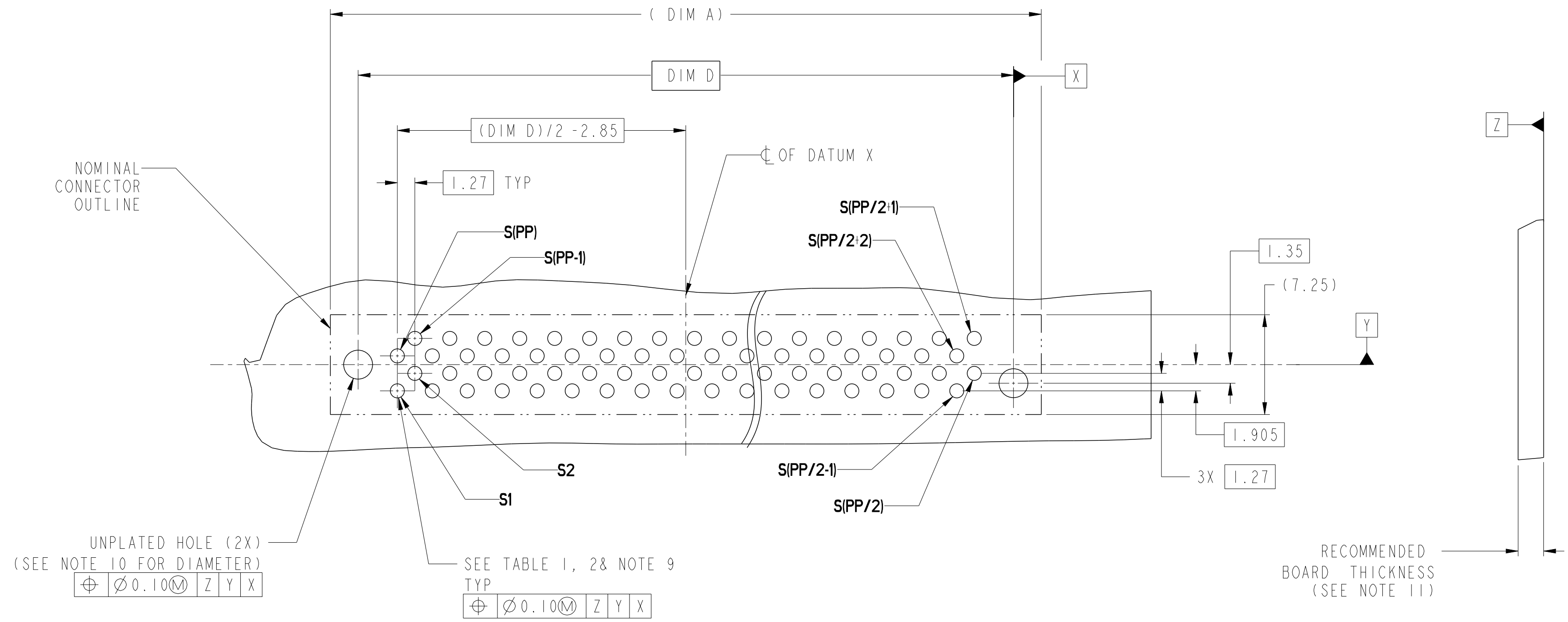
Printed: May 24, 2016

Amphenol
 FCI

© 2016 AFCI

CONTACT TYPE	TOP LAYER DESCRIPTION	TABLE 1 (HPCE / SOLDER TAILS) PLATED THROUGH-HOLE REQUIREMENTS				
		DRILLED HOLE DIAMETER	COPPER THICKNESS	TIN-LEAD THICKNESS	TIN THICKNESS	FINISHED HOLE DIAMETER
POWER & SIGNAL	TIN-LEAD	1.10-1.16 (1.15 DRILL)	0.025 - 0.050	0.005 - 0.015	--	0.94 - 1.10
	IMMERSION TIN	1.10-1.16 (1.15 DRILL)	0.025 - 0.050	--	0.9 - 1.5um	0.94 - 1.10
	COPPER (SEE NOTE 8)	1.10-1.16 (1.15 DRILL)	0.025 - 0.050	--	--	0.94 - 1.10

CONTACT TYPE	TOP LAYER DESCRIPTION	TABLE 2 (HPCE / PRESS-FIT TAILS) PLATED THROUGH-HOLE REQUIREMENTS				
		DRILLED HOLE DIAMETER	COPPER THICKNESS	TIN-LEAD THICKNESS	TIN THICKNESS	FINISHED HOLE DIAMETER
POWER & SIGNAL	TIN-LEAD	0.81-0.86 (0.85 DRILL)	0.025 - 0.050	0.005 - 0.015	--	0.65 - 0.80
	IMMERSION TIN	0.81-0.86 (0.85 DRILL)	0.025 - 0.050	--	0.9 - 1.5um	0.70 - 0.80
	COPPER (SEE NOTE 8)	0.81-0.86 (0.85 DRILL)	0.025 - 0.050	--	--	0.70 - 0.80



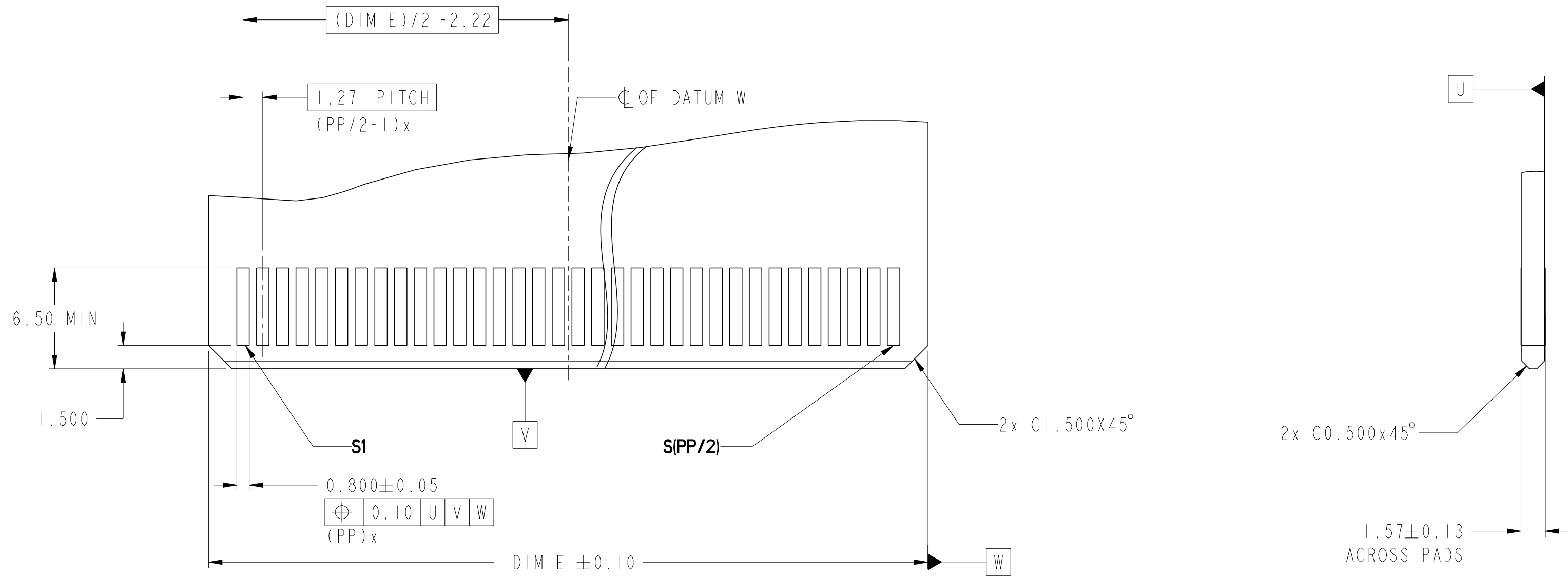
UNPLATED HOLE (2X)
(SEE NOTE 10 FOR DIAMETER)
 $\text{⌀} \text{ } \text{⌀} 0.10 \text{ } \text{Ⓜ} \text{ } \text{Z} \text{ } \text{Y} \text{ } \text{X}$

SEE TABLE 1, 2 & NOTE 9
TYP
 $\text{Ⓜ} \text{ } \text{⌀} 0.10 \text{ } \text{Ⓜ} \text{ } \text{Z} \text{ } \text{Y} \text{ } \text{X}$

spec ref	-	dr	Eric Jiang	2013/02/04	projection	MM	size	A2	scale	4:1
tolerance std	ASME Y14.5	eng	Sunny2 Liu	2016/05/05			ecn no	ELX-DG-24036-1		
TOLERANCES UNLESS OTHERWISE SPECIFIED		chr	Terris Liu	2016/05/20				rel level	Released	
surface	ASME Y14.5	appr	Pai-Ming Zheng	2016/05/24				product family	VERT RECT (ALL SIGNAL PINS) HIGH POWER CARD EDGE	
linear	0.X ±0.50 0.XX ±0.25 0.XXX ±0.10	Amphenol FCI	title		cat. no.		Product - Customer Drw	sheet 2 of 4	rev	B
angular	0° ±2°	PDS: Rev :B		STATUS:Released		Printed: May 24, 2016				

Amphenol FCI

© 2016 APCI



Amphenol
FCi

© 2016 AFci

spec ref	-	dr	Eric Jiang	2013/02/04	projection	MM	size	A2	scale	4:1		
tolerance std	ASME Y14.5	eng	Sunny2 Liu	2016/05/05			ecn no	ELX-DG-24036-1				
TOLERANCES UNLESS OTHERWISE SPECIFIED		chr	Terris Liu	2016/05/20			rel level	Released				
surface	ASME Y14.5	appr	Pai-Ming Zheng	2016/05/24			product family					
linear	0.X	±0.50		TITLE VERT RECT (ALL SIGNAL PINS) HIGH POWER CARD EDGE	cat. no.	Product - Customer Drw	sheet 3 of 4	div	10123730		rev	B
linear	0.XX	±0.25										
linear	0.XXX	±0.10										
angular	0°	±2°										

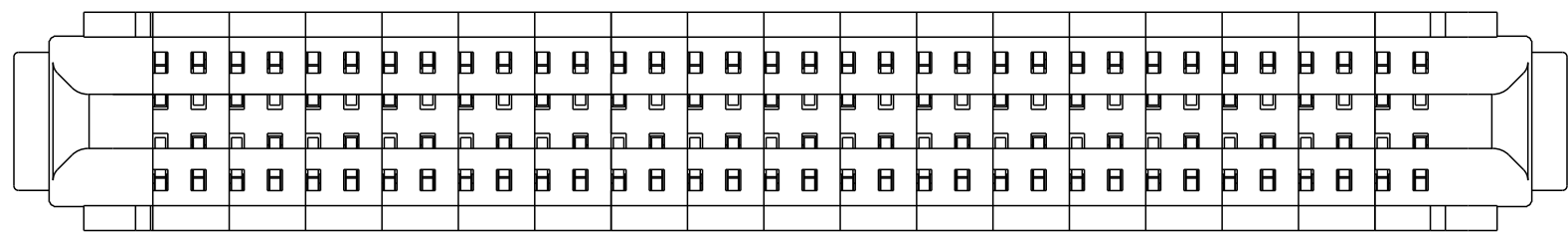
10123730-0000 PP

SIGNAL CONTACT QTY

LF

LEAD FREE

TAIL TYPE NOTE 11	A	B
	STB	PF



EXAMPLE: THE CONFIGURATION ABOVE IS 10123730-000068ALF
STB VERT REC 68S

TABLE 3: PART NUMBER CODE, HPCE STD VERT REC S CONFIG

DIM	TABLE 2 LENGTH FORMULAS
DIM A	$(PP/2) \times 1.27 + 8.47$
DIM B	DIM A - 5.00
DIM C	DIM A - 2.34
DIM D	DIM A - 4.04
DIM E	DIM A - 5.30

Amphenol
FCi

NOTES:

1. CONNECTOR MATERIALS:

HOUSING: HIGH TEMPERATURE THERMAL PLASTIC, BLACK
UL 94V-0 COMPLIANT

CONTACTS: HIGH PERFORMANCE COPPER ALLOY.

2. CONTACT FINISH REF. GS-12-604 SECTION 5.2.

3. PRODUCT SPECIFICATION: GS-12-604.

4. APPLICATION SPECIFICATION: GS-20-128.

5. PRODUCT MARKING ON HOUSING IN AREA SHOWN MEETS AFCI SPECIFICATION: GS-24-007.

6. PACKAGING MEETS FCI SPECIFICATION GS-14-937.

7. HOUSING COMPONENT WILL WITHSTAND EXPOSURE TO 260°C PEAK TEMPERATURE FOR 60 SECONDS IN A CONVECTION, INFRA-RED, OR VAPOR PHASE REFLOW OVEN.

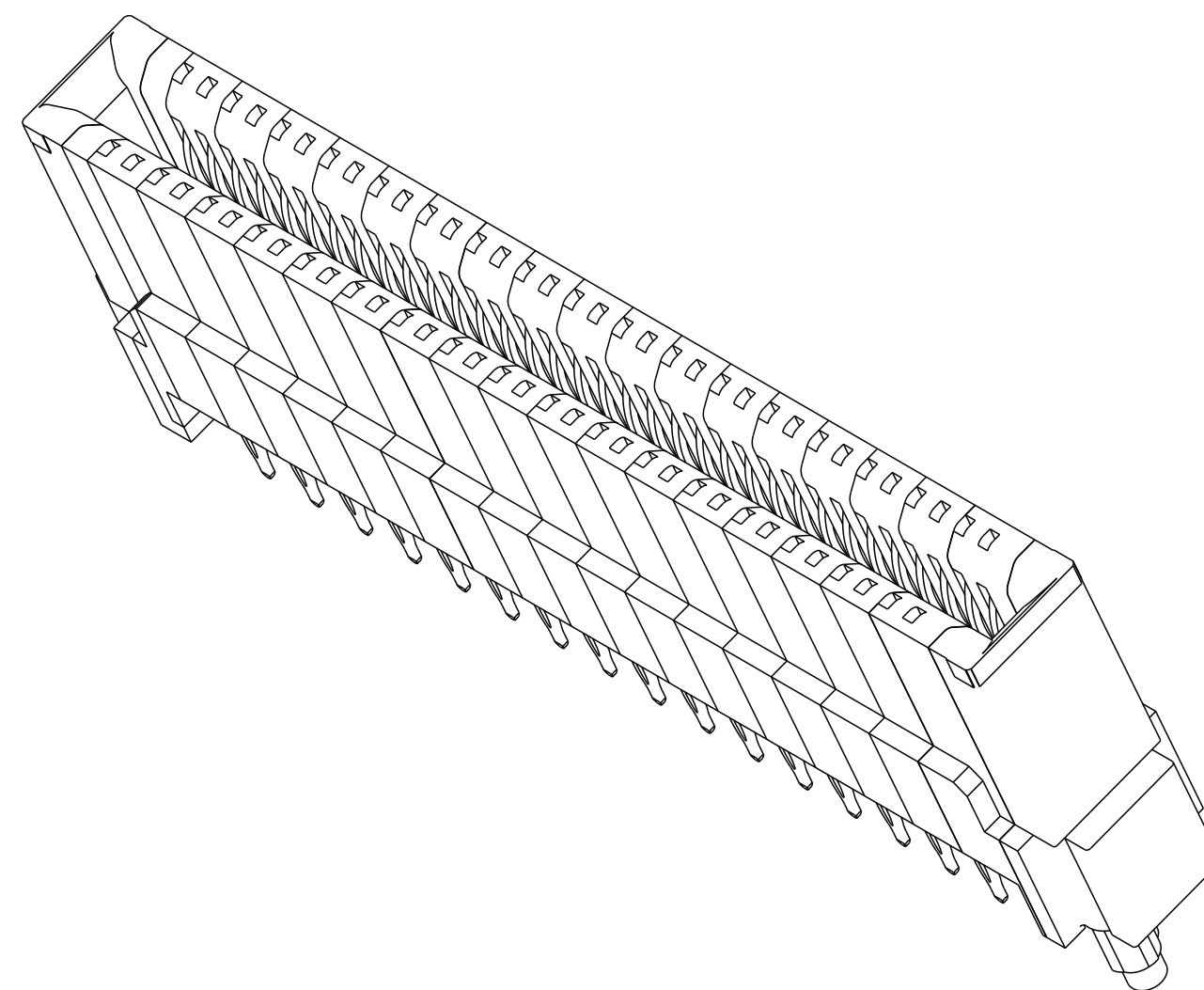
8. COPPER PLATING THICKNESS IN CENTER OF VIA-HOLE CAN BE NO MORE THAN 0.003 LESS THAN OTHER AREAS.

9. ALL HOLE SIZES ARE FINISHED HOLE SIZES.

10. MOUNTING HOLES ARE UNPLATED
 \varnothing 2.40 +/- 0.1 FOR PRESS-FIT TAILS
 \varnothing 2.18 +/- 0.03 FOR SOLDER TAILS

11. STB=SOLDER TO BOARD, 1.57-2.38mm PCB THICKNESS.
 PF=PRESS FIT, 1.57mm MINIMUM PCB THICKNESS.

12. A SYMBOL \triangle WILL BE NEXT TO ANY DIMENSION, VIEW, OR NOTE WHICH HAS BEEN MODIFIED WITH THE CURRENT DRAWING REVISION.



spec ref	-	dr	Eric Jiang	2013/02/04	projection	MM	size	A2	scale	4:1
tolerance std	ASME Y14.5	eng	Sunny2 Liu	2016/05/05			ecn no	ELX-DG-24036-1		
TOLERANCES UNLESS OTHERWISE SPECIFIED		chr	Terris Liu	2016/05/20				rel level	Released	
surface	linear	appr	Pei-Ming Zheng	2016/05/24	product family	VERT RECT (ALL SIGNAL PINS)		10123730	rev	B
ASME Y14.5	angular	Amphenol FCi		cat. no.	HIGH POWER CARD EDGE		Product - Customer Drw		sheet 4 of 4	