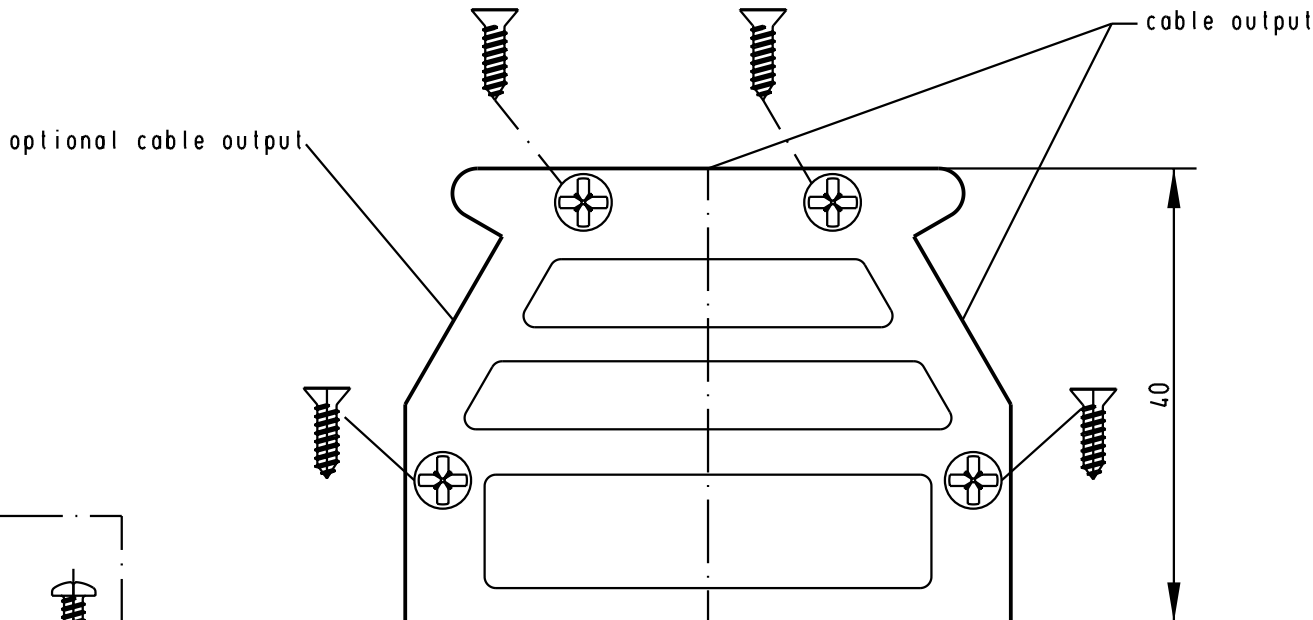
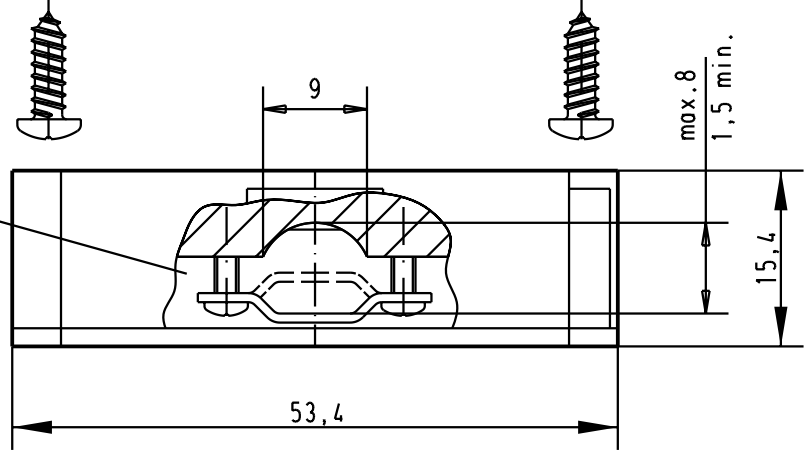
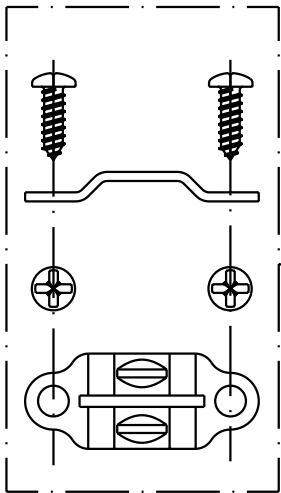
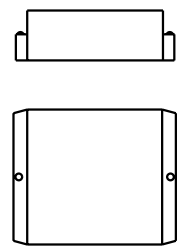




5 4 3 2 1



Cover in place of cable output



D  
C  
B  
A

						Dat.	Name	 All Dim. in mm Orig. Size DIN A 4	D-Sub, Hood 25 poles Top and side cable entry	Maßstab/ Scale 1.5:1	
						Detail.	28-MAR-02				CV
						Insp.					
						Stand.					
09 67 025 0453	Thermoplastic metallized					HARTING EURL			TB 0967025045x	Blatt/ Page 1	
09 67 025 0452	Thermoplastic black	29760	28-MAR-02	CV	F-95972 Paris						
Part number	Material	Mod.	Dat.	Name				Sub.			