

Copyright FCI. FCI

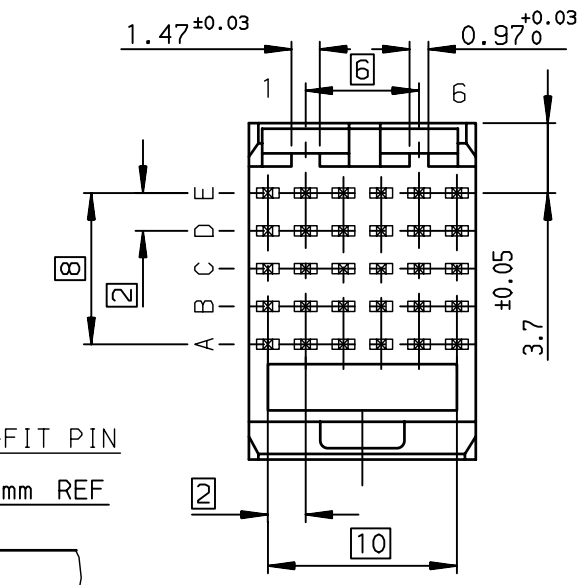
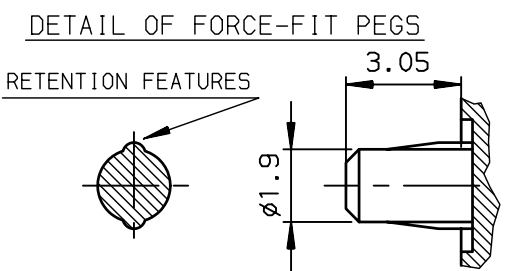
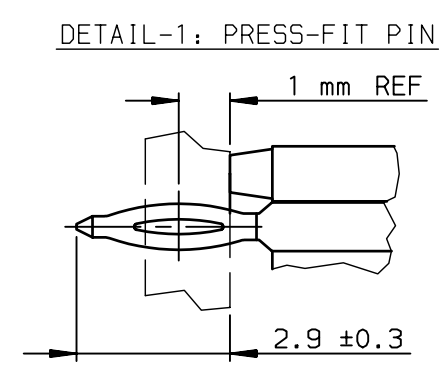
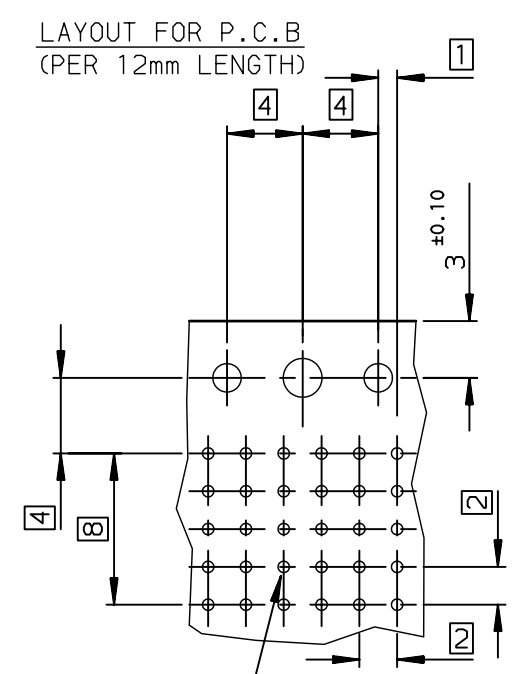
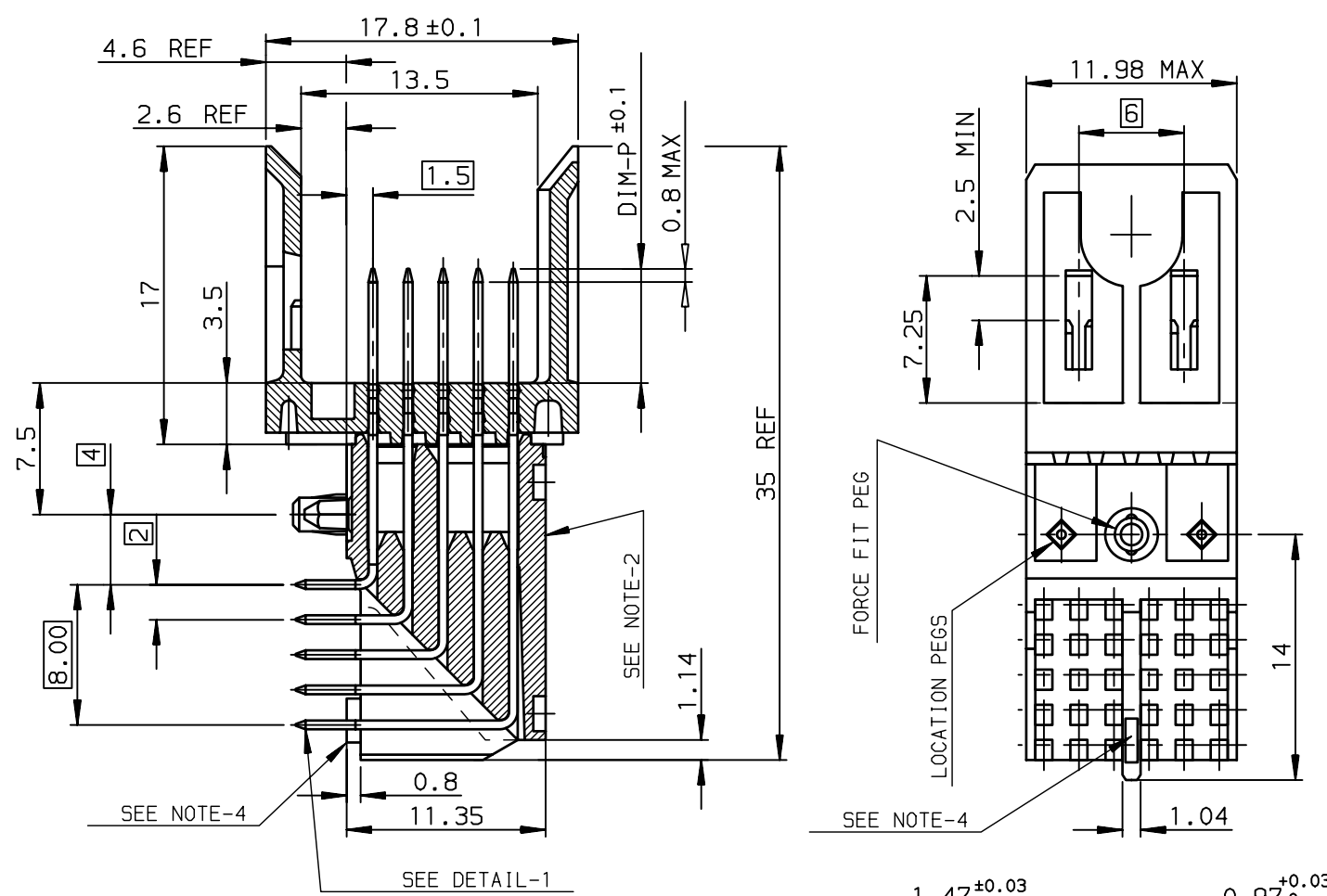


TABLE-1

CONTACT CODE	DIM-P		QTY
01	5.00		--
02	5.75		18
03	6.50		06
04	7.25		06
19	8.00		--
NO CONTACT			

TABLE-2

	1	2	3	4	5	6
E	02	02	02	02	02	02
D	02	02	02	02	02	02
C	04	04	04	04	04	04
B	02	02	02	02	02	02
A	03	03	03	03	03	03

GENERAL CHARACTERISTICS AND ROHS INFORMATIONS:
 SEE PRODUCT SPECIFICATION GS-12-445

SPECIFIC DATAS: CONTACT LOADING
 SEE TABLE-1 & 2

NOTE-2: FLAT ROCK INSERTION TOOLING, ON ALL THIS SURFACE
 NOTE-3: EYE OF THE NEEDLE PRESS FIT PIN TYPE
 NOTE-4: REAR CENTRAL SUPPORT FOR BETTER ASSY ON PCB
 NOTE-5: IF SUFFIX "P" IS ADDED IN P/N PACKAGING IS IN TRAYS
 BUT CONNECTOR MARKING IS WITHOUT "P"
 EXAMPLE: HM1XXXXXXXXX6P, MARKED HM1XXXXXXXXXH6

TIN LEAD Part Number: HM1L51ZDP440H6P

LEAD FREE Part Number: HM1L51ZDP440H6PLF

European Views

www.fciconnect.com		surface ISO 1302 ✓	tolerance std ISO 406 ISO 1101	projection mm
TOLERANCES UNLESS OTHERWISE SPECIFIED				size A3
Dr	CHAMPION	23/12/29	ANGULAR	Scale 2.5
Eng	LENOIR	2002/07/24	LINEAR	ECN LS07-0184
Chr	LEGARE	2002/07/24	0.xx' ±2'	Spec ref -
Appr	LEGARE	2002/07/24	Product family METRAL	
FCI		Title METRAL RA HEADER 5 ROW PR 30 WAY SPECIFIC FOR LUCEN		dwg no C-8626-11184
-		-		Rev. D
-		-		CUSTOMER sheet 1 of 1

rev	ecn no	dr	date
A	-	CHA	2002/07/24
B	LS05-001	MLE	2005/02/23
C	LS06-0095	LGO	2006/07/07
D	LS07-0184	MLE	2007/07/26
-	-	-	-
-	-	-	-
-	-	-	-