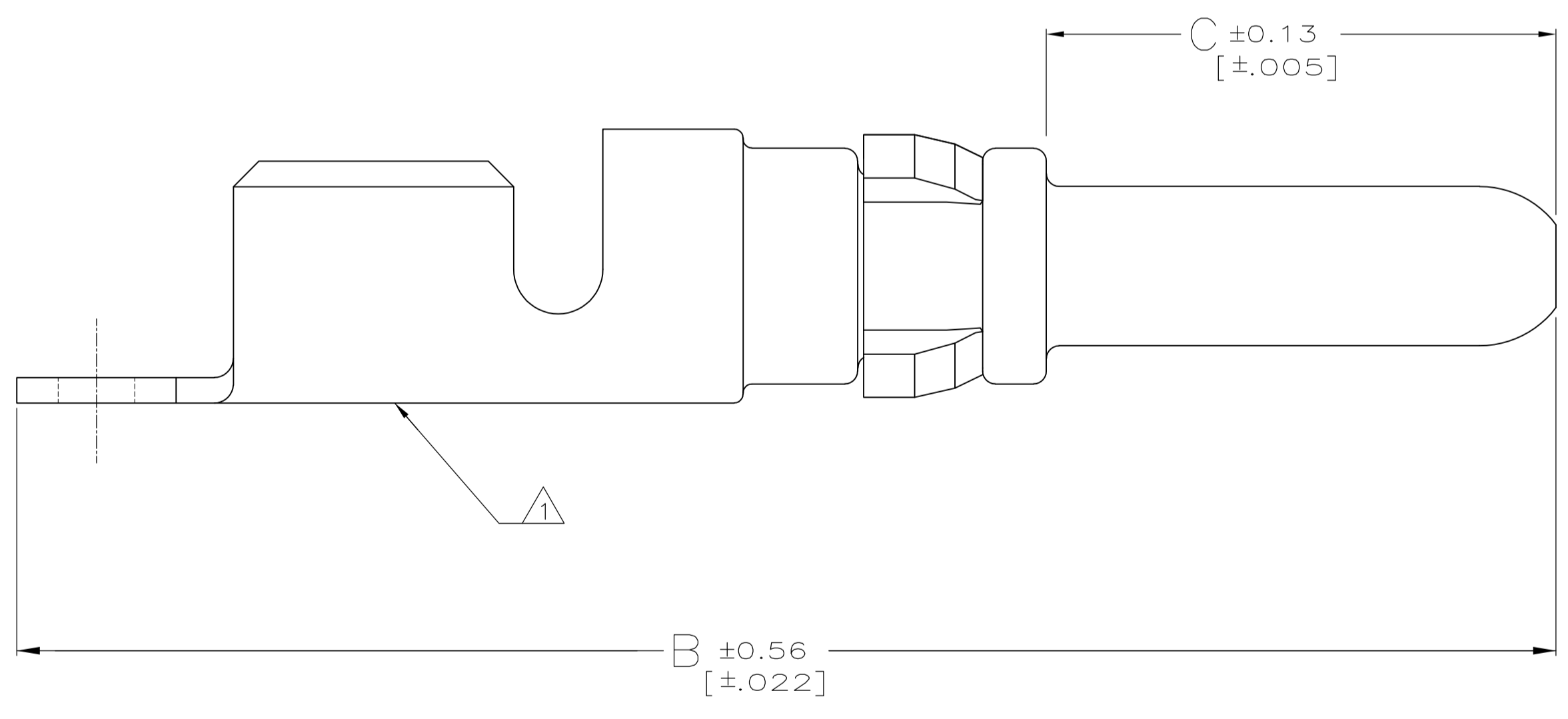
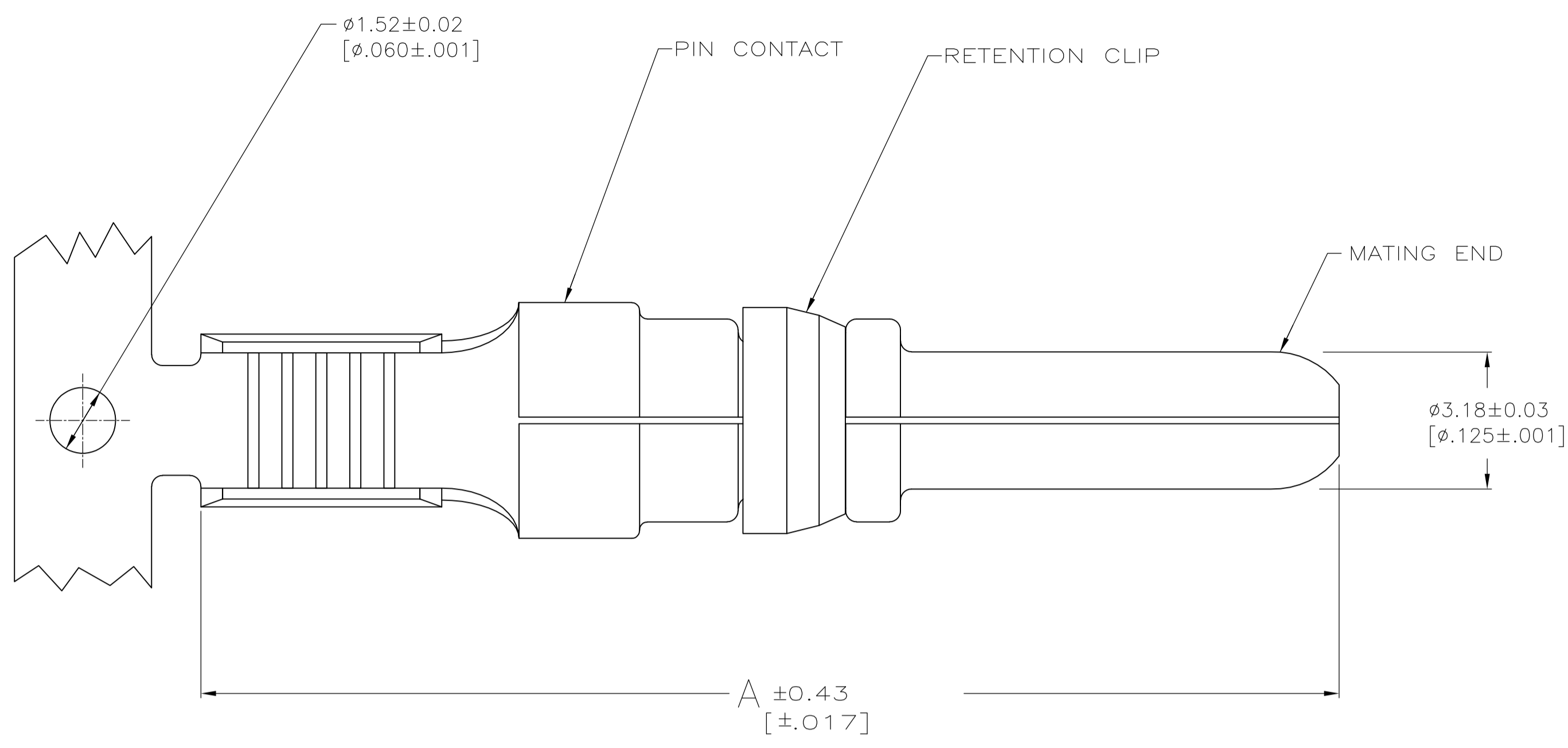
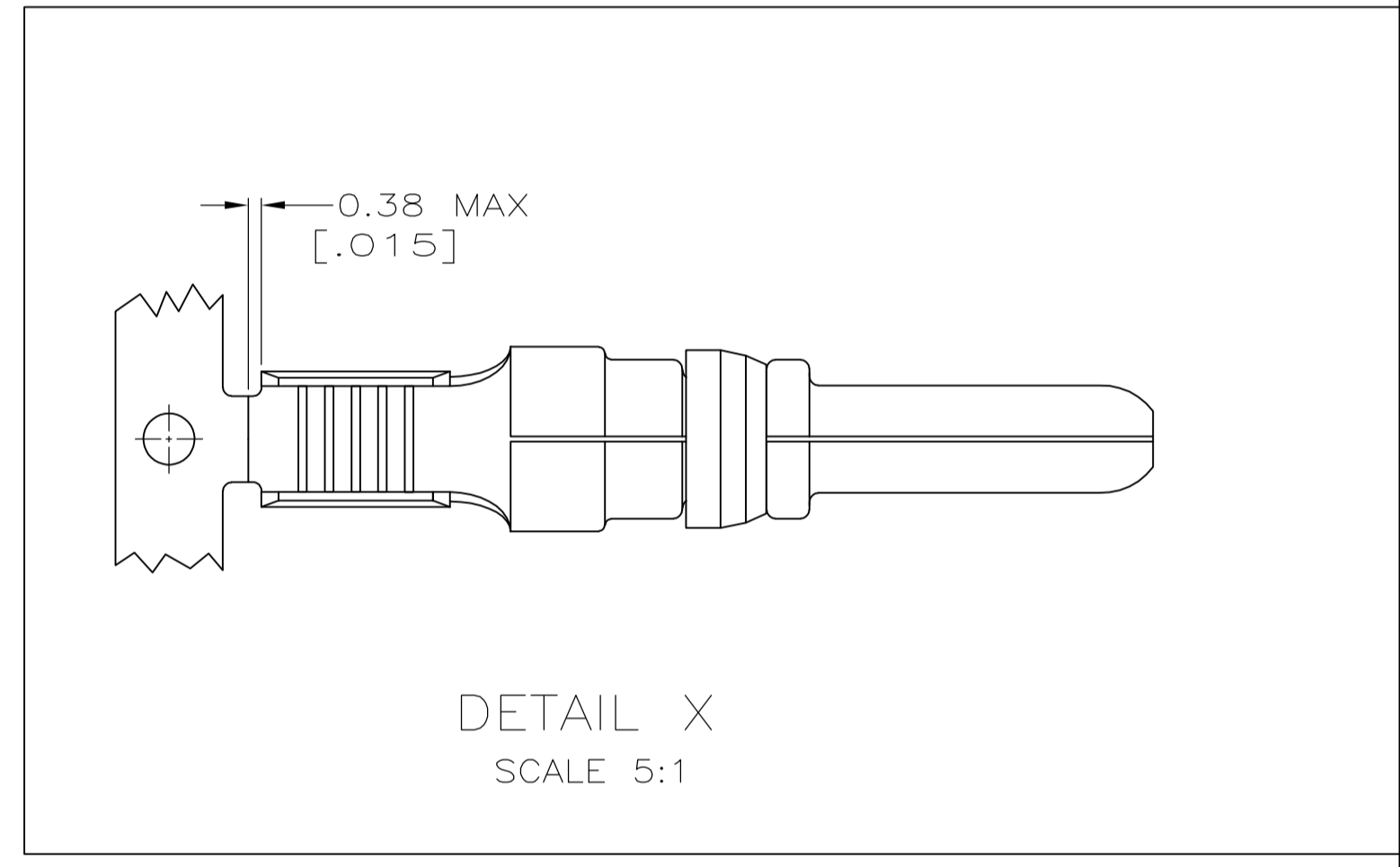


REVISIONS					
P	LTR	DESCRIPTION	DATE	DWN	APVD
B2	REVISED PER	ECO-16-004223	19JUL2016	NK	MZ



- 1 WIRE SIZE AND LOGO APPEAR ON OUTSIDE OF WIRE BARREL.
- 2 RETENTION CLIP: PHOSPHOR BRONZE PER QQ-B-750. PIN CONTACT: COPPER PER QQ-C-576.
- 3 PIN CONTACT: $0.76 \mu\text{m}$ [$.000030$] MIN GOLD PER MIL-G-45204 ON CONTACT MATING END, GOLD FLASH ON REMAINDER, ALL OVER $1.27 \mu\text{m}$ [$.000050$] MIN NICKEL PER QQ-N-390. RETENTION CLIP: $2.54 \mu\text{m}$ [$.000100$] MIN NICKEL PER QQ-N-290.
- 4 PIN CONTACT: $5.08 \mu\text{m}$ [$.000200$] MIN SILVER PER QQ-S-365 ON CONTACT MATING END, $1.27 \mu\text{m}$ [$.000050$] MIN SILVER ON REMAINDER, ALL OVER $1.27 \mu\text{m}$ [$.000050$] MIN NICKEL PER QQ-N-290. RETENTION CLIP: $2.54 \mu\text{m}$ [$.000100$] MIN NICKEL PER QQ-N-290.



OBSOLETE	3	12.32 [.485]	-	28.52 [1.123]	DETAIL X	213845-8
OBSOLETE	4	12.32 [.485]	-	28.52 [1.123]	DETAIL X	213845-7
	3	12.32 [.485]	32.84 [1.293]	28.52 [1.123]	-	213845-6
	4	12.32 [.485]	32.84 [1.293]	28.52 [1.123]	-	213845-5
	3	10.16 [.400]	-	26.37 [1.038]	DETAIL X	213845-4
	4	10.16 [.400]	-	26.37 [1.038]	DETAIL X	213845-3
	3	10.16 [.400]	30.68 [1.208]	26.37 [1.038]	-	213845-2
	4	10.16 [.400]	30.68 [1.208]	26.37 [1.038]	-	213845-1
FINISH		C	B	A	LOOSE PIECE	PART NUMBER

THIS DRAWING IS A CONTROLLED DOCUMENT.

DIMENSIONS: mm [INCHES]

TOLERANCES UNLESS OTHERWISE SPECIFIED:

0 PLC	± -
1 PLC	± -
2 PLC	± -
3 PLC	± -
4 PLC	± -
ANGLES	± -

MATERIAL: SEE TABLE

FINISH: SEE TABLE

THIS DRAWING IS A CONTROLLED DOCUMENT.

DWN: W.G.LENKER 30 JUL 96

CHK: R.STONE 05 AUG 96

APVD: G.STEINHÄUER 06 AUG 96

NAME: G.STEINHÄUER

PRODUCT SPEC: -

APPLICATION SPEC: -

SIZE: A1

CAGE CODE: 00779

DRAWING NO: 213845

RESTRICTED TO: -

WEIGHT: -

CUSTOMER DRAWING

SCALE: 10:1

SHEET: 1 of 1

REV: B2

STE TE Connectivity

PIN CONTACT ASSEMBLY
14-12 AWG, .125
POWERBAND