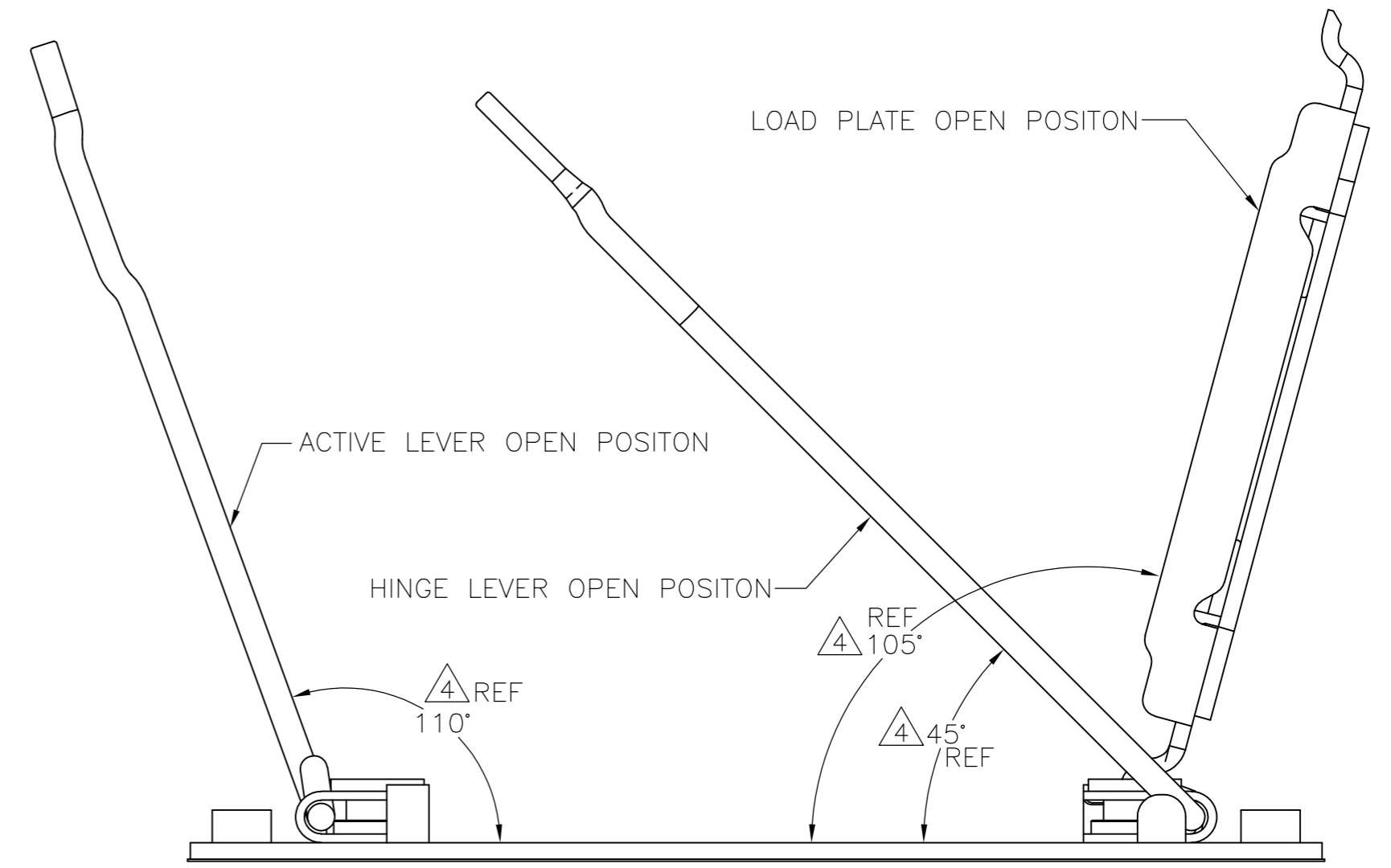
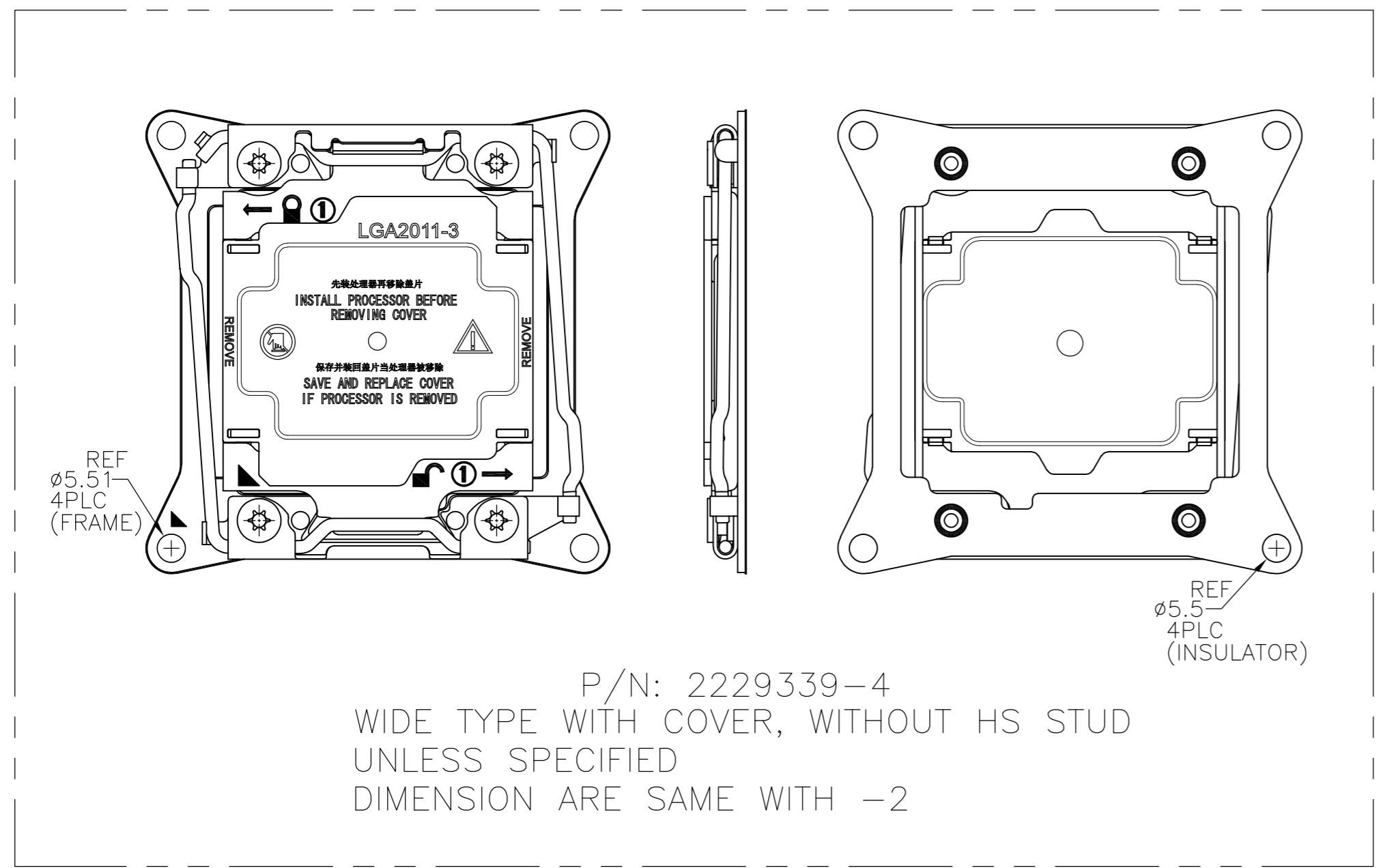
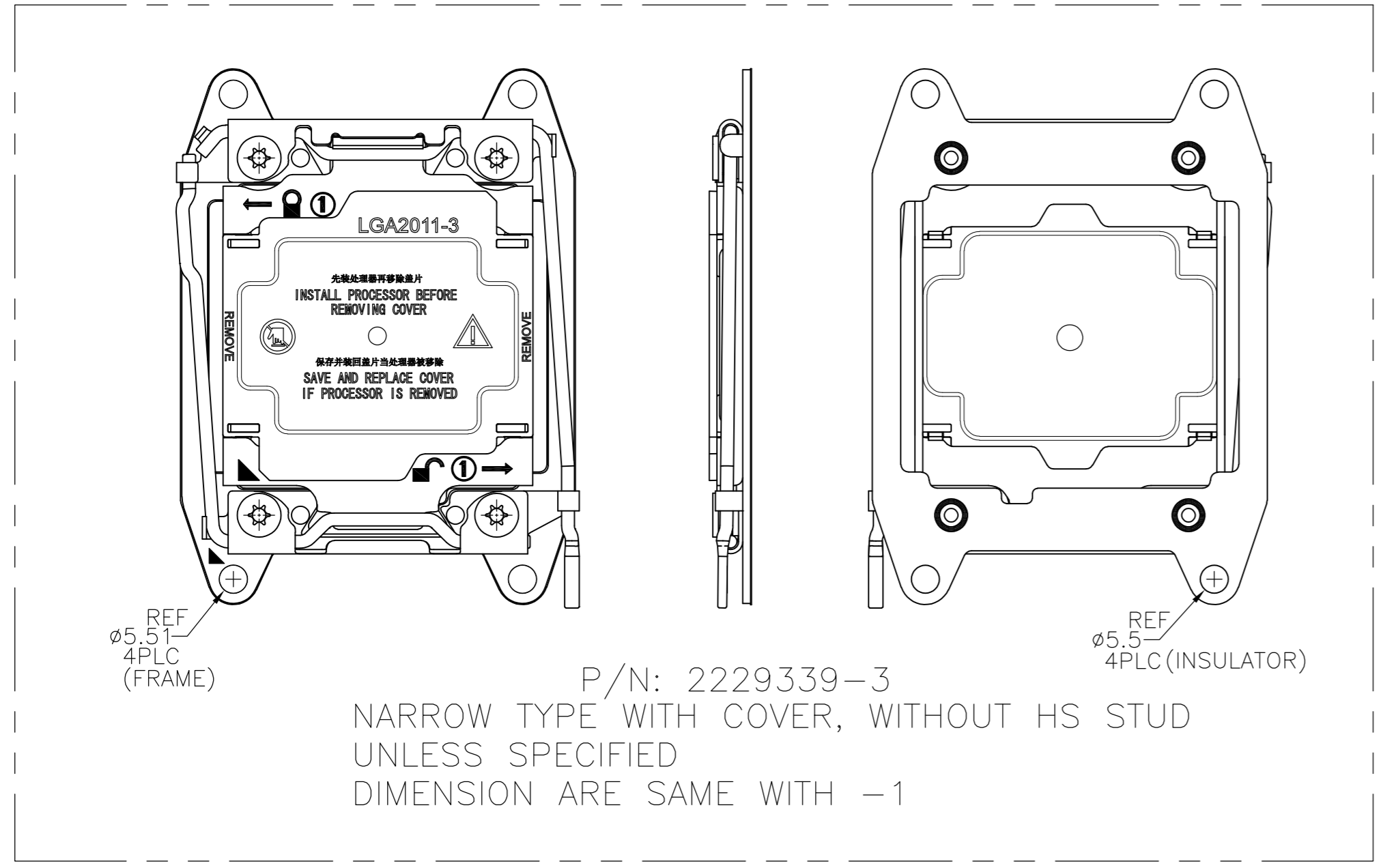


THIS DRAWING IS UNPUBLISHED. RELEASED FOR PUBLICATION APR , 2011.
 © COPYRIGHT 2011 By Tyco Electronics Japan G.K. ALL RIGHTS RESERVED.

LOC		DIST		REVISIONS			
J		-		我	更		
P	LTR	DESCRIPTION	DATE	DWN	APVD		
-	-	SEE SHEET 1	-	-	-		



LEVER AND LOAD PLATE OPEN ANGLES
 THE ACTIVE LEVER MUST OPEN TO A SUFFICIENT
 ANGLE TO ALLOW THE LOAD PLATE TO OPEN FREELY
 (2229339-1,-2,-3,-4,1-2229339-1,1- -2 AS SHOWN)

THIS DRAWING IS A CONTROLLED DOCUMENT.		DWN	-	TE TE Connectivity	
DIMENSIONS: 单位: 毫米 mm		CHK	-		
TOLERANCES UNLESS OTHERWISE SPECIFIED: 一般公差		APVD	-	NAME 名称	
0-PLC ± ± ± 0.3		PRODUCT SPEC 製品規格		ILM ASSY	
1-PLC ± ± ± 3'		APPLICATION SPEC 取付適用規格		LGA2011-3	
2-PLC ± ± ±		WEIGHT		SIZE	A2
3-PLC ± ± ±		MATERIAL 材料		CAGE CODE	00779
4-PLC ± ± ±		FINISH 仕上		DRAWING NO 番号	C=2229339
ANGLES ± ± ±		CUSTOMER DRAWING		RESTRICTED TO	-
SCALE 尺度		SHEET 3 of 3		REV A	