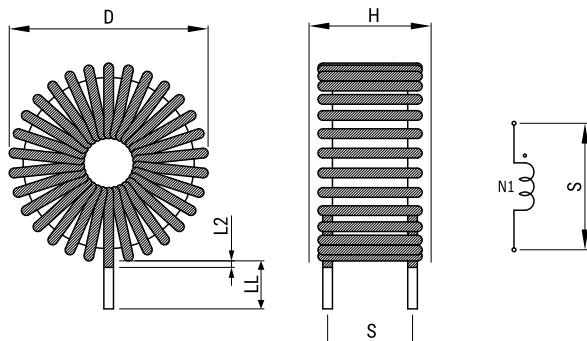


KEMET Part Number: SN13-400
(UALSN134000000)

KEMET, SN, AC Line Filters, Normal Mode, 92 uH, MIN



Dimensions

D	30mm MAX
H	18mm MAX
LL	20mm +/-2mm
S	16mm NOM
L2	1.5mm MAX

Packaging Specifications

Packaging:	Tray
Packaging Quantity:	250
Weight:	35.1 g

General Information

Series:	SN
Style:	Through-Hole
Features:	Compact Size
RoHS:	Yes
Miscellaneous:	33 (K) Temperature Rise Max.

Specifications

Inductance:	92 uH (0.1 MHz)
Inductance Tolerance:	MIN
Current:	6 A
Temperature Range:	-25/+105°C
DC Resistance:	30 mOhms