

THIS DRAWING IS UNPUBLISHED. RELEASED FOR PUBLICATION
 © COPYRIGHT BY TYCO ELECTRONICS CORPORATION. ALL RIGHTS RESERVED.

LOC	DIST	REVISIONS					
AD	00	P	LTR	DESCRIPTION	DATE	DWN	APVD
		A		ECO 05 006799	29APR06	BSV	SM

SPECIFICATIONS:
 BREAK BEFORE MAKE

MATERIALS:

FRAME: STEEL,ZINC PLATE
 ACTUATOR: PBT,UL94HB,BLACK
 TERMINAL/FIXED CONTACT: COPPER ALLOY, AG OVER NI
 OR AU OVER NI PLATE.
 MOVING CONTACT: COPPER ALLOY, AG OVER NI
 OR AU OVER NI PLATE
 TERMINAL BOARD: PHENOLIC, UL94HB
 COIL SPRING: CARBON STEEL WIRE

ELECTRICAL:

CONTACT RATING, 250MILLIAMPS @ 125V AC,
 150MILLIAMPS @ 12V DC
 CONTACT RESISTANCE, 30 MILLIOHMS MAX (INITIAL),
 60 MILLIOHMS AFTER TEST
 INSULATION RESISTANCE: 500 MEGOHMS MIN.
 DIELECTRIC STRENGTH: 500 VOLTS RMS @SEA LEVEL
 LIFE EXPECTANCY: 10,000 CYCLES MIN. NO LOAD,
 6,000 AT RATED CURRENT.

MECHANICAL:

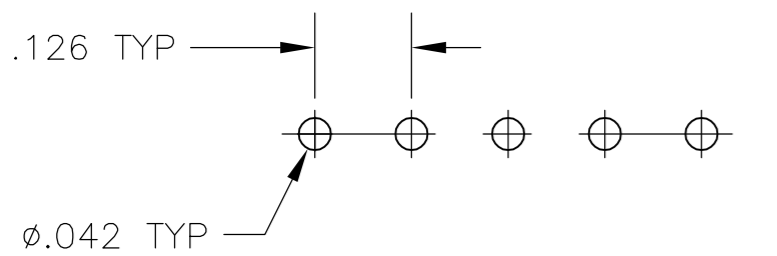
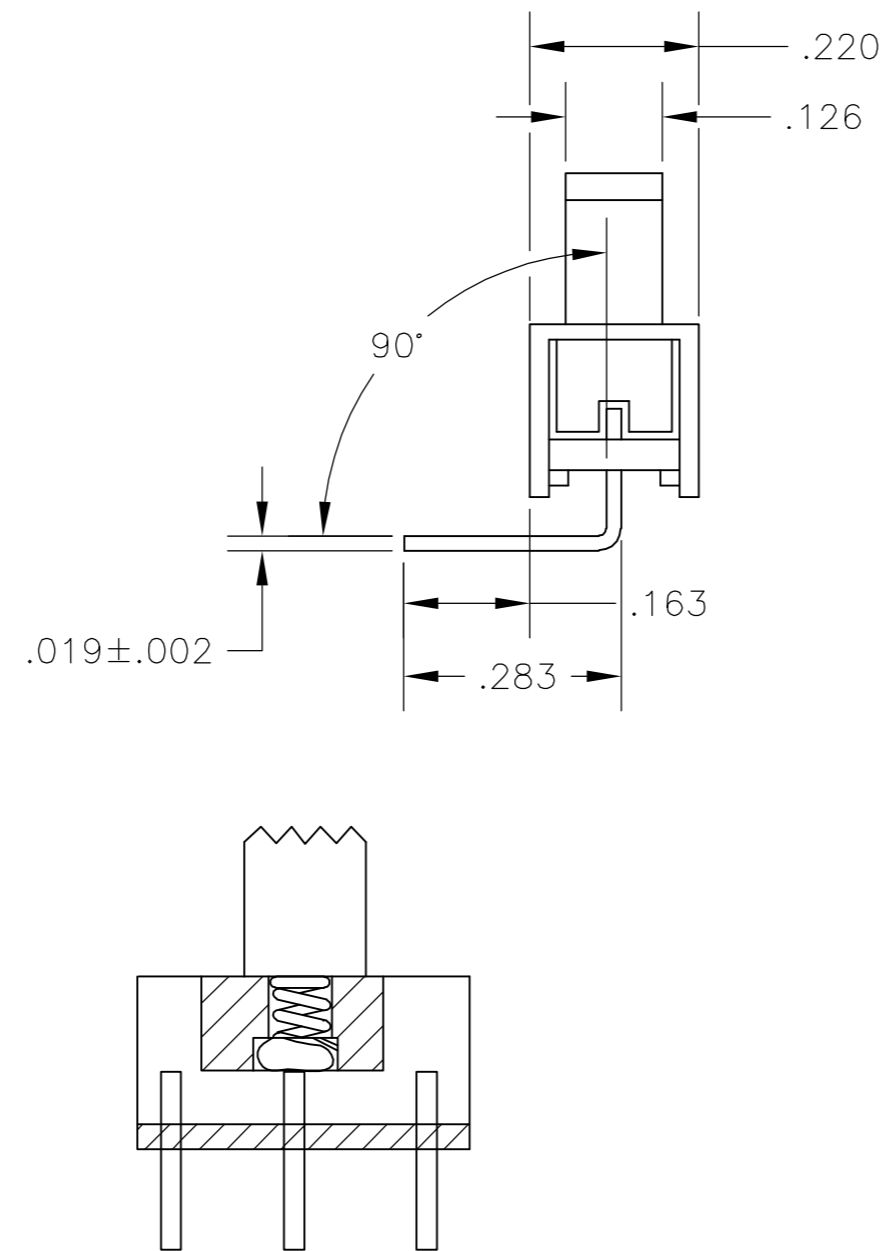
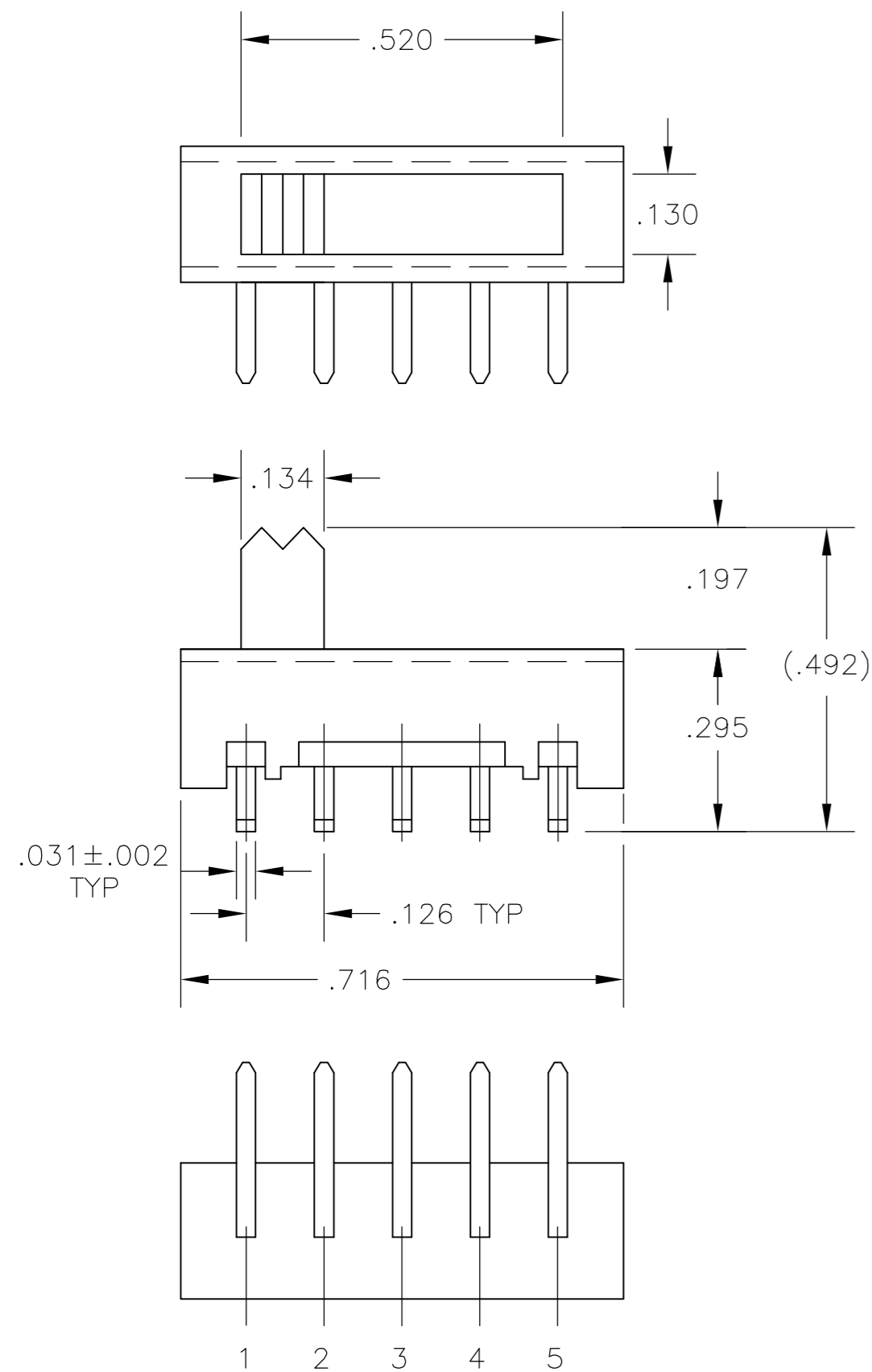
ACTUATION FORCE, 250 +150/-100 GRAMS
 TRAVEL, .126 (3.20)

ENVIRONMENTAL:

OPERATING TEMPERATURE: -10°C TO +85°C
 STORAGE TEMPERATURE: -10°C TO +85°C
 RESISTANCE TO SOLDER HEAT, 260°C FOR 10 SEC
 PER 109-202, CONDITION B
 SOLDERABILITY PER EIA-364-56A, PROCEDURE 3,
 CONDITION B

NOTE:

- ALL MATERIALS AND FINISHES SHALL COMPLY WITH EU DIRECTIVE 2002/95/EC OF 27 JAN2003 (ROHS)
- ALL PERFORMANCE SPECIFICATIONS WERE TESTED IN ACCORDANCE WITH JIS-C-5441 UNLESS OTHERWISE STATED.



RECOMMENDED HOLE LAYOUT

1-2	2-3	3-4	4-5	SLS141RA04	1825120-1
LEFT	LMID	RMID	RIGHT	ALCO PART NO.	TYCO PART NO.

THIS DRAWING IS A CONTROLLED DOCUMENT.		DWN B S VISWESWARA	08MAR2005		
DIMENSIONS: INCHES		CHK M S SARVER	Tyco Electronics Corporation Harrisburg, Pa 17105-3608		
TOLERANCES UNLESS OTHERWISE SPECIFIED:		APVD -	NAME		
0 PLC ± -		PRODUCT SPEC	SLIDE SWITCH SP4T (SLS 141 RA)		
1 PLC ± -		APPLICATION SPEC	SIZE	CAGE CODE	DRAWING NO
2 PLC ± -		WEIGHT	A2	00779	C=1825120
3 PLC ± .010		CUSTOMER DRAWING	SCALE	SHEET	OF
4 PLC ± -			4:1	1	1
ANGLES ± -				REV	A
FINISH					
MATERIAL SEE TABLE					

1825120