

1

2

3

4

A

B

C

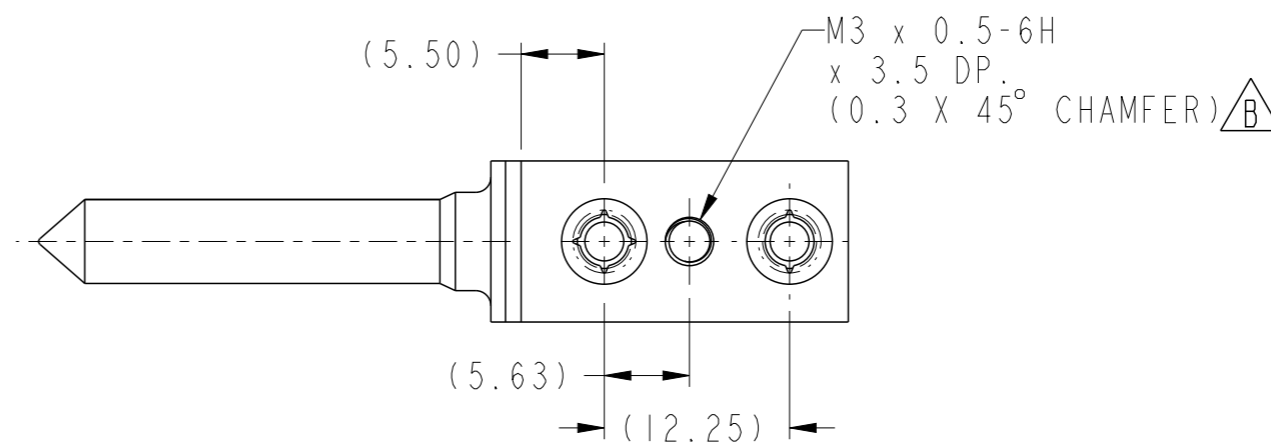
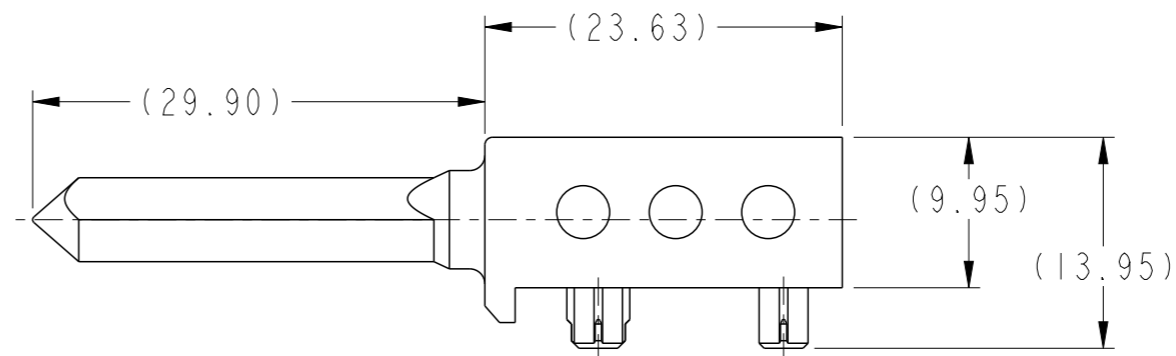
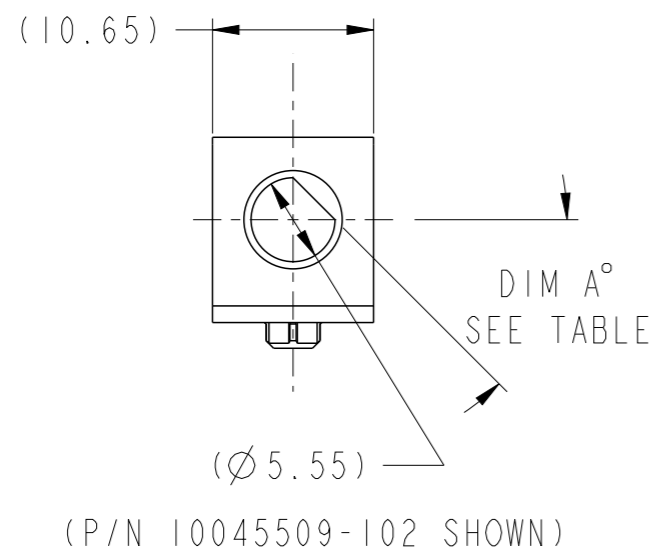
D

A

B

C

D



Copyright FCI.

spec ref		dr	Chen-Hong Tan	2006/09/09	projection	mm	size	A3	scale	2:1	
tolerance std		eng	Yong-Keat Lim	2011/10/04			ecn no		ELX-S-006144-1		
ASME Y14.5		chr	-	-			rel level		Released		
-		TOLERANCES UNLESS OTHERWISE SPECIFIED		appr	Chen-Hong Tan	2011/10/07	product family		AirMax Accessories		
surface	3.2	linear	0.X	±0.3		title 10.8mm R/A GUIDE PIN 2/3 PAIR	dwg no	10045509		rev	B
			0.XX	±0.10							
			0.XXX	±0.050							
ASME Y14.5	angular	0°	±2°	www.fci.com	cat. no.	-	Product - Customer Drw		sheet 1 of 2		

PART NUMBER	DIM A°
10045509-101LF	0°
10045509-102LF	45°
10045509-103LF	90°
10045509-104LF	135°
10045509-105LF	180°
10045509-106LF	225°
10045509-107LF	270°
10045509-108LF	315°

NOTES:

- ① MATERIAL: ZINC ALLOY.
- ② FINISH: ZINC YELLOW CHROMATE.
- ③ PRELIMINARY APPLICATION SPECIFICATION: GS-20-045.
- ④ REFER TO CUSTOMER DRAWING 10035911 FOR INFORMATION REGARDING PCB LAYOUT OF POWER AND GUIDE MODULES RELATIVE TO SIGNAL MODULES.
- ⑤ RIGHT ANGLE PIN MODULE HAS THE SAME PCB FOOTPRINT AS THE RIGHT ANGLE GUIDE SOCKET.
- 6 THIS PRODUCT MEETS EUROPEAN UNION DIRECTIVES AND OTHER COUNTRY REGULATIONS AS DESCRIBED IN GS-22-008.
- 7 PACKAGING MEETS GS-14-920 LEAD FREE LABELING SPECIFICATION.



spec ref		dr	Chen-Hong Tan	2006/09/09	projection	mm	size	A3	scale	1:1
tolerance std		eng	Yong-Keat Lim	2011/10/04			ecn no		ELX-S-006144-1	
ASME Y14.5		chr	-	-			rel level		Released	
surface 3.2		appr	Chen-Hong Tan	2011/10/07	product family			AirMax Accessories		rev
ASME Y14.5				title 10.8mm R/A GUIDE PIN 2/3 PAIR			dwg no 10045509		rev B	
TOLERANCES UNLESS OTHERWISE SPECIFIED		www.fci.com		cat. no.		-		Product - Customer Drw		sheet 2 of 2



Copyright FCI.