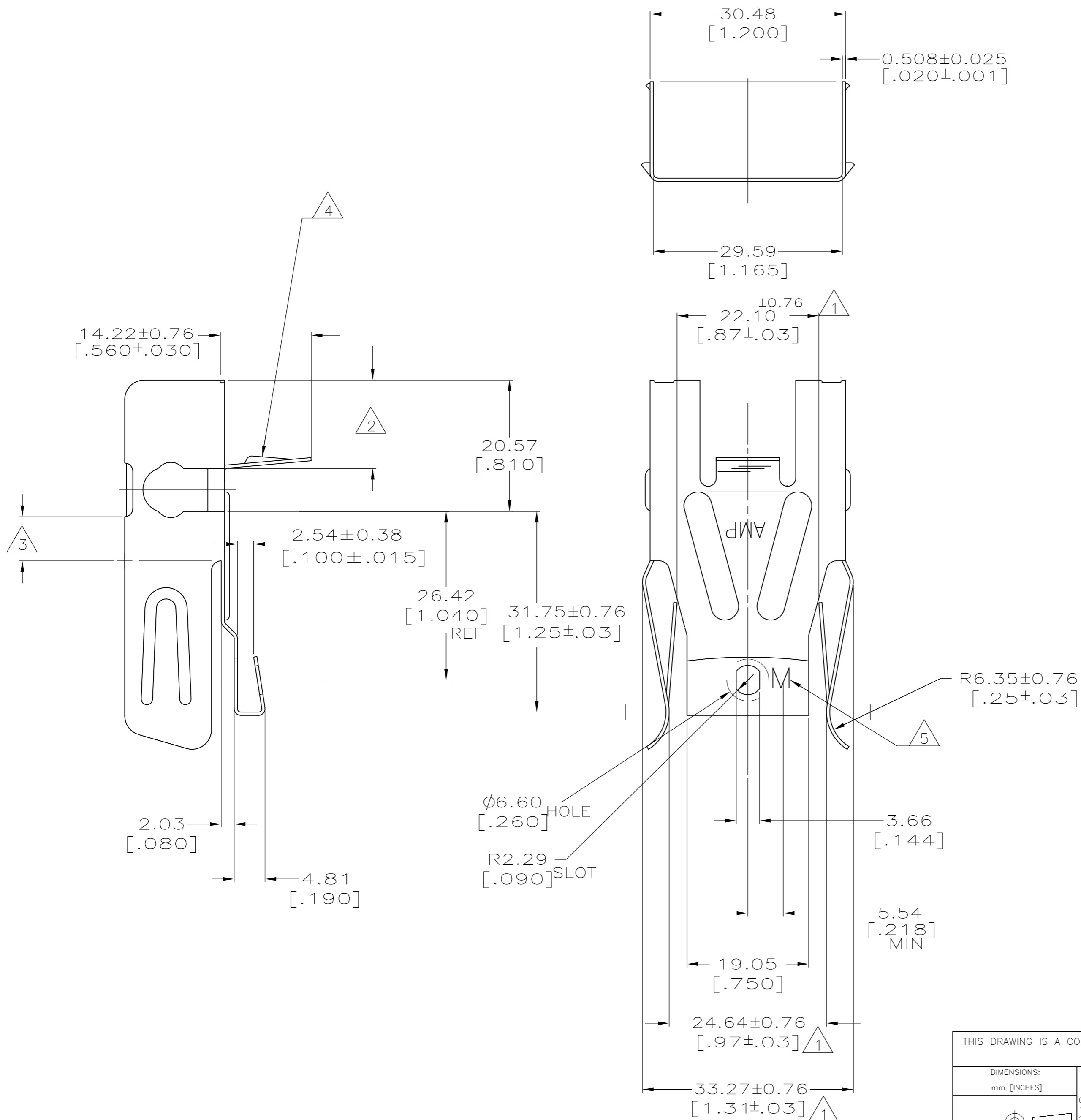


THIS DRAWING IS UNPUBLISHED. RELEASED FOR PUBLICATION
 © COPYRIGHT BY TYCO ELECTRONICS CORPORATION. ALL RIGHTS RESERVED.

LOC		DIST		REVISIONS			
P	LTR	DESCRIPTION	DATE	DWN	APVD		
AF	50	E2	REVISED PER ECR-13-000561	15JAN13	B.P	YH.M	



- 1 DIMENSIONS TO BE CHECKED WHEN SIDES ARE PARALLEL WITH 30.61 [1.205] DIMENSION.
- 2 29.59 [1.165] DIMENSION TO BE HELD IN THIS AREA.
- 3 30.48 [1.200] DIMENSION TO BE HELD IN THIS AREA.
- 4 FOR #10-32 MACHINE SCREW.
- 5 STAMP M 3.18 [.125] LOCATE APPROXIMATELY AS SHOWN.

1217802-1
PART NUMBER

THIS DRAWING IS A CONTROLLED DOCUMENT.		DWN	20MAR2002	Tyco Electronics Corporation		Tyco Electronics Corporation	
		CHK	20MAR2002	Harrisburg, PA 17105-3608			
		APVD	20MAR2002	NAME		CLIP, CONNECTOR	
		PRODUCT SPEC		APPLICATION SPEC		HEAVY DUTY BURNER	
		MATERIAL	1/4 HARD	SIZE	A2	CAGE CODE	00779
		FINISH	-	DRAWING NO	C=1217802		RESTRICTED TO
				WEIGHT	-		
				CUSTOMER DRAWING	SCALE	2:1	SHEET 1 of 1
						REV	E2